



Hoonsun

Eighteen years for only one thing!

电线电缆连接器专业制造商

Always Pursue  
Fine Quality



☎ 4006-818-622



PRODUCT CATALOG 产品选型手册

浙江鸿祥连接器有限公司

2024 版



扫一扫！ 了解鸿祥

浙江鸿祥连接器有限公司

Zhejiang Hongxiang Connector Co., Ltd

浙江省乐清市柳市镇象阳工业区深河创业园 A 幢

ADD: Building A, Shenghe Pioneer Park, Xiangyang Industrial Zong, Liushi Town, Yueqing, wenzhou City, Zhejiang Province, China

Sales calls

Tel: +86-577-6262 8623 | Email: sales@hxljq.net

www.hxljq.net

国内销售电话

Tel: 0577-6262-8622 | 0577-6161 6088

www.hxljq.cn



4006-818-622



**Hoonsun**

*Eighteen years for only one thing!*



CE



ROHS



RECAH IECEx



IP68

IATF16949

[www.hxljq.cn](http://www.hxljq.cn)/[www.hxljq.net](http://www.hxljq.net)

# Perfect Every Cable Gland With Innovation

将电缆接头做到创新 / 精进





# Hoonsun

Eighteen years for only one thing!

# 19 YEARS

## 企业使命 将防水行业做到精进创新!

### 2006

乐清市鸿祥连接器制造有限公司成立，主要生产防水黄铜电缆密封套

Yueqing Hongxiang Connector Manufacturing Co.,Ltd. mainly produces waterproof brass cable gland

### 2008

工厂搬迁新厂，车间面积达到 2000 平方

Factory relocated, new workshop area reached 2000m<sup>2</sup>

### 2009

公司引进数控设备和自动计量机，它正在引导公司进行自动化生产技术

Company introduced numerical control equipment and automatic counting machine, which are guiding the company to automated production technology

### 2010

公司开发了电缆封套新设计，并申请专利，专利号 z1201020530888.7

The company has developed a new design of cable seal, and applied for patent, patent number z1201020530888.7.

### 2011

本公司荣幸成为辽宁号“航空母舰”专用防水接头供应商，产品质量被认可走向世界

Our company was honored to be the supplier of special waterproof cable gland for the Aircraft Carrier "Liaoning", and our high quality of products have been recognized and export to the global





## 2013

公司专注与研发并推出多种新产品，从事不锈钢 尼龙 黄铜等各种材料。生产转换更多元化解决不同的供应需求  
 Company focused on research and develop various of new products, stainless steel, nylon, brass and other materials. Diversified production meet different requirements

## 2016

公司员工扩至 80 人，业务核心走向国际  
 The company's employees expanded to 80 people, and the core of the business went international

## 2018

公司二次搬迁，商标升级，获得各个知名认证，整体形象更加鲜明国际化  
 Company relocated again, new brand, appearance is more bright and international

## 2021

企业升级，公司名称变更为浙江鸿祥连接器有限公司  
 The company was upgraded and the company name was changed to Zhejiang Hongxiang Connector Co., Ltd

## 2023

公司厂房扩增，员工人数增至 120 余人，生产设备提高到 200 多台，并大力拓展其他行业领域，如光伏产业等。  
 The factory has expanded, with over 120 employees and over 200 production equipment, and has vigorously expanded into other industries such as the photovoltaic industry.





Holo  
Eighteen ye



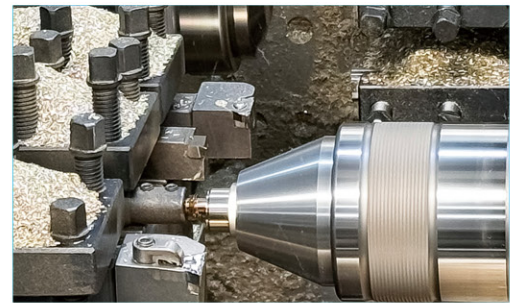
## 检查中心

Check centre



采用先进的产品检测设备，并严格遵循德国 DIN、VDE 标准和美国 UL 标准的检测流程，严格符合欧洲最新 EN 标准和 ATEX 标准。

Advanced product testing equipment is adopted, and the German DIN and VDE standards are strictly followed and the testing process of UL standards in the United States, which strictly comply with the latest EN standards in Europe and ATEX standards.



## 管理体系

Management system



公司严格遵守国内外严苛的质量管理体系，坚持以“客户为主，客户是衣食父母，及时为客户解决问题；追求品质，乐观积极，遇到困难和挫折，不放弃，不断自我激励”为理念。以“将电缆接头行业做到精益求精”为使命。

The company strictly abides by the strict quality management system at home and abroad, adheres to the principle of "customer-oriented, customers are the parents of food and clothing, and solve problems for customers in a timely manner; Pursue quality, be optimistic and positive, encounter difficulties and setbacks, do not With the mission of "strive for excellence in the cable connector industry."

## 产品定制

Check centre



先进进口的精密刀具设计制作能力，再配合鸿祥强大的产品创新研发能力，可为客户专业深度定制精密金属产品，品质值得您去信赖。

The advanced imported precision tool design and production capabilities, coupled with Hongxiang's strong product innovation and research and development capabilities, can provide customers with in-depth customization of precision metal products, and the quality is trustworthy.



# PRODUCT CATALOG

## 产品目录

### 金属电缆接头系列 Metal Cable Gland Series



- 金属电缆接头-M型 ————— 01-02  
Metal Cable Gland-M Type
- 金属电缆接头-PG/G/NPT 型 ————— 03-04  
Metal Cable Gland-PG/G/NPT Type
- 金属加长型电缆接头 ————— 05  
Metal Cable Gland- Length Type
- 金属加强型电缆接头 ————— 06  
Metal Cable Gland-Strengthened Type
- 金属直通型电缆接头 ————— 07  
Metal Cable Gland-Direct Type
- 金属耐高温电缆接头 ————— 08-11  
Metal Cable Gland-High Temperature Tesistance Type
- 金属屏蔽型电缆接头 ————— 12  
Metal Cable Gland-EMC-W Type
- 金属屏蔽型电缆接头 -T型 ————— 13  
Metal Cable Gland-EMC-T Type
- 金属管接式电缆接头 ————— 14  
Metal Tubular Cable Gland
- 金属多孔型电缆接头 ————— 15  
Metal Cable Gland-Multihole Type

### 不锈钢电缆接头系列 Stainless Steel Cable Gland Series



- 不锈钢电缆接头 -M 型 ————— 16  
Stainless Steel Cable Gland-M Type
- 不锈钢电缆接头 -PG 型 ————— 17  
Stainless Steel Cable Gland-PG Type
- 不锈钢电缆接头 -G/NPT 型 ————— 18  
Stainless Steel Cable Gland-G/NPT Type

### 特殊功能电缆接头系列 Special Function Cable Gland Series



- 金属双锁紧电缆接头 ————— 19  
Metal Cable Gland-Double Lock Type
- 金属防折弯电缆接头 ————— 20  
Metal Anti-Bending Cable Gland
- 尼龙防折弯电缆接头 ————— 21  
Nylon Anti-Bending Cable Gland
- 透气型电缆接头 ————— 22  
Cable Gland-Air Permeable Type
- 透气阀 ————— 23-27  
Breathable Valve
- 直角 90° 电缆接头 ————— 28  
Right angle 90° Cable Gland
- 法兰夹紧式密封接头 ————— 29  
Flange clamp-on Seal Joints

### 尼龙电缆接头系列 Nylon Cable Gland Series



- 尼龙电缆接头 ————— 30-31  
Nylon Cable Gland
- 尼龙加强型电缆接头 ————— 32-33  
Nylon Reinforced Cable Gland
- 尼龙分体式电缆接头 ————— 34  
Nylon Split Cable Gland
- 尼龙波纹管接头 ————— 35  
Powerful Watertight Corrugated Tubing Fitting
- 尼龙软管快速接头 ————— 36  
Nylon Union for Flexible Pipe
- 折弯软管快速接头 ————— 37  
Right Angle Union For Flexible Pipe

### 填料函系列 Marine Cable Gland Series



- 船用填料函 -JIS ————— 38  
Marine Cable Gland-JIS standard Type
- 船用填料函 -TJ ————— 39  
Marine Cable Gland-TJ Clamping Type
- 船用填料函 -TH ————— 40  
Marine Cable Gland-TH Welded Type
- 单压缩式填料函 ————— 41  
Single Compression Cable Gland

**危险场所所用接头系列** Explosion-proof & Armoured Cable Gland Series



|   |       |
|---|-------|
| 简易铠装工业接头  | 42    |
| Simple Armored Cable Gland                                |       |
| 双密封铠装防爆填料函  | 43    |
| Double Seal Armored CBTL                                  |       |
| 防爆电缆夹紧密封接头  | 44    |
| Explosion-Proof Cable Clamp Sealing Joint                 |       |
| 防爆填料函   | 45    |
| Explosion-Proof Stuffing Box                              |       |
| 防爆电缆夹紧密封接头  | 46    |
| Explosion-Proof Cable Clamp Sealing Joint-CW              |       |
| 双密封、非铠装防爆填料函  | 47-48 |
| Single Sealed And Non-Armored Explosion-Proof Cable Gland |       |
| 单密封、非铠装防爆填料函  | 49-50 |
| single Sealed And Non-Armored Explosion-Proof Cable Gland |       |
| BW 铠装电缆接头   | 51    |
| BW Cable Gland  |       |
| BWL 铠装电缆接头  | 52    |
| BWL Cable Gland   |       |
| 防爆电缆夹紧密封接头  | 53    |
| Explosion-Proof Cable Clamp Sealing Joint-CW              |       |

**软管接头系列** Metal Hose Fitting Series



|                          |    |
|--------------------------|----|
| 端式软管接头                   | 54 |
| Ended Hose Fitting       |    |
| 带锁紧金属软管接头                | 55 |
| Locking Metal Hose Joint |    |
| 锌合金软管接头                  | 56 |
| Liquid-tight Connector   |    |

**配套附件系列** Other Matched Accessories Series



|   |       |
|---|-------|
| PVC 护套                                  | 57    |
| PVC Sheath                              |       |
| 接地片                                     | 58    |
| Grounding Plate                         |       |
| 金属扩增环 / 减缩环                             | 59-60 |
| Metal Enlarger/Reducer                  |       |
| 金属内螺纹连接套                                | 61    |
| Metal female threaded connection sleeve |       |
| 金属 / 尼龙塞帽                               | 62-63 |
| Metal Plug Cap/Nylon Plug cap           |       |
| 螺母 / 防磁型螺母                              | 64-65 |
| Locknut/EMC Locknut                     |       |
| 金属软管                                    | 66    |
| Metal Flexible Pipe                     |       |
| 尼龙软管                                    | 67    |
| Nylon Flexible Pipe                     |       |
| 波纹管固定架                                  | 68    |
| Bellows Fixed Frame                     |       |
| 热缩管                                     | 69-72 |
| Heat Shrink Tubing                      |       |
| 防水接线盒                                   | 73-76 |
| Waterproof Junction Box                 |       |
| 明装配电箱                                   | 77-78 |
| Assemble The Electrical Box Openly      |       |
| 尼龙 / 不锈钢扎带                              | 79-82 |
| Nylon/Stainless Steel Cable Ties        |       |

**其他产品系列** Explosion-proof & Armoured Cable Gland Series



|   |         |
|---|---------|
| 光伏连接器系列                                   | 83-100  |
| Simple Armored Cable Gland                |         |
| 快插连接器系列                                   | 101-114 |
| Double Seal Armored CBTL                  |         |
| 重载连接器系列                                   | 115-172 |
| Explosion-Proof Cable Clamp Sealing Joint |         |
| 圆形连接器系列                                   | 173-182 |
| Explosion-Proof Stuffing Box              |         |

# 金属电缆接头

Metal Cable Gland



M

CE ROHS IP68 REACH

材质: 镀镍黄铜

夹紧爪: 尼龙塑料 PA66, UL94-V2

密封件: 三元乙丙、硅橡胶等

防水圈: 三元乙丙、硅橡胶等

防水等级: IP68-10 巴压力

工作温度: 静态: -40°C到 100°C, 短时间达 120°C

动态: -20°C到 80°C, 短时间达 100°C

Material: Nickel-plated brass

Claw: IPA66 (Nylon), UL94-V2

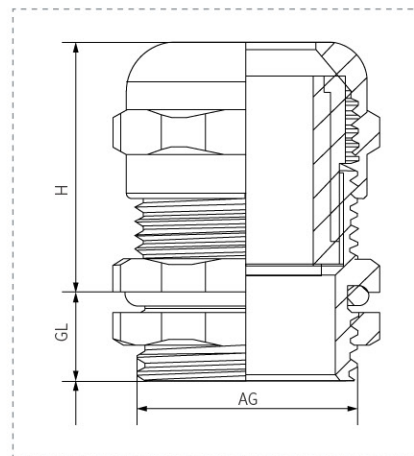
Hermetic seal: EPDM, Silicone rubber

O-Ring: EPDM, Silicone rubber

Protection degree: IP68-10 bar

Temperature: Static state: -40 to 100°C, Short time to 120°C

Dynamic state: -20°C to 80°C, Short time to 100°C



专利产品 patented product

规格参数 单位: mm

| 规格 Item | 适用范围 $\Phi$ Range | 螺纹长度 GL Thread Length | 螺纹外径 AG Thread O.D. | 接合长度 H Joint Length | 扳手径 Spanner size | 产品编号 Code      |
|---------|-------------------|-----------------------|---------------------|---------------------|------------------|----------------|
| M10×1.0 | 3-6.5             | 6.5                   | 10.0                | 17                  | 14               | HX-NP.M10      |
|         | 2-5               | 6.5                   | 12.0                | 17                  | 14               | HX-NP.M12-(5)  |
| M12×1.5 | 3-6.5             | 6.5                   | 12.0                | 17                  | 14               | HX-NP.M12      |
|         | 4-8               | 8                     | 12.0                | 18                  | 17/14            | HX-NP.M12-8    |
| M14×1.5 | 3-6               | 8                     | 14.0                | 18                  | 17               | HX-NP.M14-(6)  |
|         | 4-8               | 8                     | 14.0                | 18                  | 17               | HX-NP.M14      |
|         | 5-10              | 8                     | 14.0                | 19                  | 20/17            | HX-NP.M14-10   |
| M16×1.5 | 3-6               | 8                     | 16.0                | 19                  | 18               | HX-NP.M16-(6)  |
|         | 4-8               | 8                     | 16.0                | 19                  | 18               | HX-NP.M16      |
|         | 5-10              | 8                     | 16.0                | 19                  | 20/18            | HX-NP.M16-10   |
| M18×1.5 | 4-8               | 8                     | 18.0                | 20                  | 20               | HX-NP.M18-(8)  |
|         | 5-10              | 8                     | 18.0                | 20                  | 20               | HX-NP.M18      |
|         | 6-12              | 8                     | 18.0                | 21                  | 20               | HX-NP.M18-12   |
| M20×1.5 | 5-10              | 8                     | 20.0                | 21                  | 22               | HX-NP.M20-(10) |
|         | 6-12              | 8                     | 20.0                | 21                  | 22               | HX-NP.M20      |
|         | 10-14             | 8                     | 20.0                | 22                  | 24/22            | HX-NP.M20-14   |
|         | 12-16             | 8                     | 20.0                | 25                  | 27/22            | HX-NP.M20-16   |
| M22×1.5 | 4-8               | 8                     | 22.0                | 22                  | 24               | HX-NP.M22-(8)  |
|         | 8-12              | 8                     | 22.0                | 22                  | 24               | HX-NP.M22-(12) |
|         | 10-14             | 8                     | 22.0                | 22                  | 24               | HX-NP.M22      |
|         | 12-16             | 8                     | 22.0                | 25                  | 27/24            | HX-NP.M22-16   |
| M24×1.5 | 8-12              | 9                     | 24.0                | 22                  | 24/27            | HX-NP.M24-(12) |
|         | 10-14             | 9                     | 24.0                | 22                  | 24/27            | HX-NP.M24      |
|         | 12-16             | 9                     | 24.0                | 22                  | 27               | HX-NP.M24-16   |
| M25×1.5 | 10-14             | 9                     | 25.0                | 22                  | 24/27            | HX-NP.M25-14   |
|         | 12-16             | 9                     | 25.0                | 25                  | 27               | HX-NP.M25-16   |
|         | 13-18             | 9                     | 25.0                | 27                  | 30/27            | HX-NP.M25-18   |
|         | 15-22             | 9                     | 25.0                | 29                  | 35/27            | HX-NP.M25-22   |
| M27×1.5 | 12-16             | 9                     | 27.0                | 27                  | 30               | HX-NP.M27-(16) |
|         | 13-18             | 9                     | 27.0                | 27                  | 30               | HX-NP.M27      |
| M28×1.5 | 13-18             | 9                     | 28.0                | 27                  | 30               | HX-NP.M28      |
| M30×1.5 | 13-18             | 9                     | 30.0                | 27                  | 30/32            | HX-NP.M30      |
|         | 15-22             | 9                     | 30.0                | 29                  | 35/32            | HX-NP.M30-22   |

| 规格<br>Item | 适用范围 $\Phi$<br>Range | 螺纹长度 GL<br>Thread Length | 螺纹外径 AG<br>Thread O.D. | 接合长度 H<br>Joint Length | 扳手径<br>Spanner size | 产品编号<br>Code   |
|------------|----------------------|--------------------------|------------------------|------------------------|---------------------|----------------|
| M32×1.5    | 13-18                | 10                       | 32.0                   | 29                     | 35                  | HX-NP.M32-(18) |
|            | 14-20                | 10                       | 32.0                   | 29                     | 35                  | HX-NP.M32-(20) |
|            | 15-22                | 10                       | 32.0                   | 29                     | 35                  | HX-NP.M32      |
|            | 18-25                | 10                       | 32.0                   | 31                     | 40/35               | HX-NP.M32-25   |
| M33×1.5    | 15-22                | 10                       | 33.0                   | 29                     | 35/36               | HX-NP.M33      |
| M36×1.5    | 18-25                | 10                       | 36.0                   | 31                     | 40                  | HX-NP.M36      |
| M37×1.5    | 18-25                | 10                       | 37.0                   | 31                     | 40                  | HX-NP.M37      |
| M40×1.5    | 18-25                | 11                       | 40.0                   | 31                     | 40/45               | HX-NP.M40-25   |
|            | 22-30                | 11                       | 40.0                   | 35                     | 45                  | HX-NP.M40-30   |
|            | 25-33                | 11                       | 40.0                   | 37                     | 50/45               | HX-NP.M40-33   |
| M42×1.5    | 22-30                | 11                       | 42.0                   | 35                     | 45                  | HX-NP.M42      |
| M47×1.5    | 18-25                | 11                       | 47.0                   | 37                     | 50                  | HX-NP.M47-(25) |
|            | 22-30                | 11                       | 47.0                   | 37                     | 50                  | HX-NP.M47-(30) |
|            | 25-33                | 11                       | 47.0                   | 37                     | 50                  | HX-NP.M47      |
| M48×1.5    | 25-33                | 11                       | 48.0                   | 37                     | 50/52               | HX-NP.M48      |
| M50×1.5    | 30-35                | 13                       | 50.0                   | 37                     | 57/55               | HX-NP.M50-(35) |
|            | 32-38                | 13                       | 50.0                   | 37                     | 57/55               | HX-NP.M50      |
|            | 37-44                | 13                       | 50.0                   | 38                     | 64/55               | HX-NP.M50-44   |
| M54×1.5    | 32-38                | 13                       | 54.0                   | 37                     | 57                  | HX-NP.M54      |
| M60×1.5    | 37-44                | 14                       | 60.0                   | 38                     | 64                  | HX-NP.M60      |
| M63×1.5    | 30-35                | 14                       | 63.0                   | 38                     | 64/68               | HX-NP.M63-(35) |
|            | 37-44                | 14                       | 63.0                   | 38                     | 64/68               | HX-NP.M63      |
|            | 42-52                | 14                       | 63.0                   | 44                     | 78/68               | HX-NP.M63-52   |
| M64×2.0    | 37-44                | 14                       | 64.0                   | 38                     | 64/68               | HX-NP.M64      |
| M70×2.0    | 42-52                | 16                       | 70.0                   | 44                     | 78                  | HX-NP.M70      |
| M72×2.0    | 42-52                | 16                       | 72.0                   | 44                     | 78                  | HX-NP.M72      |
|            | 48-58                | 16                       | 72.0                   | 44                     | 78                  | HX-NP.M72-58   |
|            | 55-62                | 16                       | 72.0                   | 45                     | 88/78               | HX-NP.M72-62   |
| M75×2.0    | 42-52                | 16                       | 75.0                   | 44                     | 78/80               | HX-NP.M75      |
|            | 48-58                | 16                       | 75.0                   | 44                     | 78/80               | HX-NP.M75-58   |
| M80×2.0    | 55-62                | 18                       | 80.0                   | 45                     | 88                  | HX-NP.M80      |
| M88×2.0    | 65-70                | 18                       | 88.0                   | 45                     | 94                  | HX-NP.M88      |
| M90×2.0    | 65-70                | 18                       | 90.0                   | 45                     | 94                  | HX-NP.M90      |
| M100×2.0   | 78-84                | 20                       | 100.0                  | 53                     | 110                 | HX-NP.M100     |
| M110×2.0   | 82-88                | 20                       | 110.0                  | 53                     | 120                 | HX-NP.M110     |
| M120×2.0   | 88-95                | 20                       | 120.0                  | 53                     | 130                 | HX-NP.M120     |

注：螺纹规格可定制 / Thread specifications can be customized



# 金属电缆接头

Metal Cable Gland

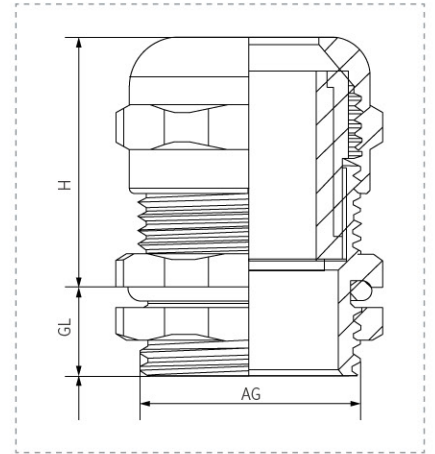


PG/G / NPT

CE ROHS IP68 REACH

材质: 镀镍黄铜  
 夹紧爪: 尼龙塑料 PA66, UL94-V2  
 密封件: 三元乙丙、硅橡胶等  
 防水圈: 三元乙丙、硅橡胶等  
 防水等级: IP68-10 巴压力  
 工作温度: 静态: -40°C到 100°C, 短时间达 120°C  
 动态: -20°C到 80°C, 短时间达 100°C

Material: Nickel-plated brass  
 Claw: IPA66 (Nylon), UL94-V2  
 Hermetic seal: EPDM, Silicone rubber  
 O-Ring: EPDM, Silicone rubber  
 Protection degree: IP68-10 bar  
 Temperature: Static state: -40 to 100°C, Short time to 120°C  
 Dynamic state: -20°C to 80°C, Short time to 100°C



专利产品 patented product

规格参数 单位: mm

| 规格 Item | 适用范围 $\Phi$ Range | 螺纹长度 GL Thread Length | 螺纹外径 AG Thread O.D. | 接合长度 H Joint Length | 扳手径 Spanner size | 产品编号 Code         |
|---------|-------------------|-----------------------|---------------------|---------------------|------------------|-------------------|
| PG7     | 2-5               | 6.5                   | 12.5                | 17                  | 14/15            | HX-NP.PG7-(5)     |
|         | 3-6.5             | 6.5                   | 12.5                | 17                  | 14/15            | HX-NP.PG7         |
|         | 4-8               | 8                     | 12.5                | 19                  | 17/15            | HX-NP.PG7-8       |
| PG9     | 3-6               | 8                     | 15.2                | 19                  | 17/18            | HX-NP.PG9-(6)     |
|         | 4-8               | 8                     | 15.2                | 19                  | 17/18            | HX-NP.PG9         |
|         | 5-10              | 8                     | 15.2                | 21                  | 20/18            | HX-NP.PG9-10      |
| PG11    | 4-8               | 8                     | 18.6                | 21                  | 20/21            | HX-NP.PG11-(8)    |
|         | 5-10              | 8                     | 18.6                | 21                  | 20/21            | HX-NP.PG11        |
|         | 6-12              | 8                     | 18.6                | 22                  | 22/21            | HX-NP.PG11-12     |
| PG13.5  | 5-10              | 8                     | 20.4                | 22                  | 22/23            | HX-NP.PG13.5-(10) |
|         | 6-12              | 8                     | 20.4                | 22                  | 22/23            | HX-NP.PG13.5      |
|         | 10-14             | 8                     | 20.4                | 23                  | 24/23            | HX-NP.PG13.5-14   |
| PG16    | 6-12              | 8                     | 22.5                | 23                  | 24/25            | HX-NP.PG16-(12)   |
|         | 10-14             | 8                     | 22.5                | 23                  | 24/25            | HX-NP.PG16        |
|         | 12-16             | 8                     | 22.5                | 27                  | 27/25            | HX-NP.PG16-16     |
| PG19    | 10-14             | 9                     | 25.0                | 25                  | 24/27            | HX-NP.PG19        |
|         | 12-16             | 9                     | 25.0                | 25                  | 27               | HX-NP.PG19-16     |
| PG21    | 4-8               | 9                     | 28.3                | 27                  | 30               | HX-NP.PG21-(8)    |
|         | 12-16             | 9                     | 28.3                | 27                  | 30               | HX-NP.PG21-(16)   |
|         | 13-18             | 9                     | 28.3                | 27                  | 30               | HX-NP.PG21        |
|         | 15-22             | 9                     | 28.3                | 29                  | 35/30            | HX-NP.PG21-22     |
| PG25    | 15-22             | 10                    | 32.0                | 29                  | 35               | HX-NP.PG25        |
| PG29    | 15-22             | 10                    | 37.0                | 31                  | 40               | HX-NP.PG29-(22)   |
|         | 18-25             | 10                    | 37.0                | 31                  | 40               | HX-NP.PG29        |
|         | 25-30             | 10                    | 37.0                | 35                  | 50/45            | HX-NP.PG29-30     |
| PG36    | 18-25             | 11                    | 47.0                | 37                  | 50               | HX-NP.PG36-(25)   |
|         | 25-33             | 11                    | 47.0                | 37                  | 50               | HX-NP.PG36        |
|         | 32-38             | 11                    | 47.0                | 37                  | 57/50            | HX-NP.PG36-38     |
| PG42    | 30-35             | 13                    | 54.0                | 37                  | 57               | HX-NP.PG42-(35)   |
|         | 32-38             | 13                    | 54.0                | 37                  | 57               | HX-NP.PG42        |
| PG48    | 37-44             | 14                    | 59.3                | 38                  | 64               | HX-NP.PG48        |
|         | 42-52             | 14                    | 59.3                | 38                  | 78/64            | HX-NP.PG48-52     |

| 规格<br>Item | 适用范围 $\Phi$<br>Range | 螺纹长度 GL<br>Thread Length | 螺纹外径 AG<br>Thread O.D. | 接合长度 H<br>Joint Length | 扳手径<br>Spanner size | 产品编号<br>Code |
|------------|----------------------|--------------------------|------------------------|------------------------|---------------------|--------------|
| G1/4       | 3-6.5                | 6.5                      | 13.1                   | 13.5                   | 14/15               | HX-NP.G1/4   |
| G3/8       | 4-8                  | 8                        | 16.6                   | 17                     | 18/19               | HX-NP.G3/8   |
| G1/2       | 6-12                 | 8                        | 20.9                   | 22                     | 22/23               | HX-NP.G1/2   |
| G3/4       | 13-18                | 9                        | 26.4                   | 25                     | 30                  | HX-NP.G3/4   |
| G1         | 18-25                | 10                       | 33.2                   | 29                     | 40                  | HX-NP.G1     |
| G1-1/4     | 25-33                | 11                       | 41.9                   | 35                     | 50                  | HX-NP.G1-1/4 |
| G1-1/2     | 32-38                | 12                       | 47.8                   | 37                     | 57/55               | HX-NP.G1-1/2 |
| G2         | 37-44                | 14                       | 59.6                   | 38                     | 64                  | HX-NP.G2     |
| G2-1/2     | 42-52                | 16                       | 75.1                   | 42                     | 78/80               | HX-NP.G2-1/2 |
| G3         | 65-70                | 18                       | 87.8                   | 45                     | 94                  | HX-NP.G3     |
| G4         | 88-95                | 20                       | 113.0                  | 53                     | 130                 | HX-NP.G4     |

|          |       |     |      |      |       |                |
|----------|-------|-----|------|------|-------|----------------|
| NPT1/4   | 3-6.5 | 6.5 | 13.6 | 13.5 | 14/15 | HX-NP.NPT1/4   |
| NPT3/8   | 4-8   | 8   | 17.0 | 17   | 18/19 | HX-NP.NPT3/8   |
| NPT1/2   | 6-12  | 8   | 21.2 | 22   | 22    | HX-NP.NPT1/2   |
| NPT3/4   | 13-18 | 9   | 26.5 | 25   | 30    | HX-NP.NPT3/4   |
| NPT1     | 18-25 | 10  | 33.2 | 29   | 40    | HX-NP.NPT1     |
| NPT1-1/4 | 25-33 | 11  | 41.9 | 35   | 50    | HX-NP.NPT1-1/4 |
| NPT1-1/2 | 32-38 | 12  | 48.0 | 37   | 57    | HX-NP.NPT1-1/2 |
| NPT2     | 37-44 | 14  | 60.0 | 38   | 64    | HX-NP.NPT2     |
| NPT2-1/2 | 42-52 | 16  | 72.6 | 42   | 78    | HX-NP.NPT2-1/2 |

注：NPT 型号 标配不带螺母，可选配 /NPT models come standard without nuts and are optional  
范围大小可定制 /Range size can be customized



# 金属加长型电缆接头

Metal Cable Gland- Length Type

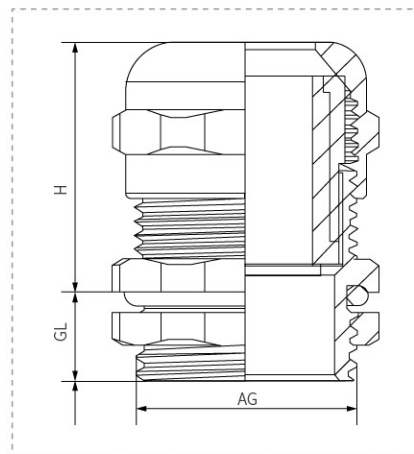


M / PG

CE ROHS IP68 REACH

材质: 镀镍黄铜  
 夹紧爪: 尼龙塑料 PA66, UL94-V2  
 密封件: 三元乙丙、硅橡胶等  
 防水圈: 三元乙丙、硅橡胶等  
 防水等级: IP68-10 巴压力  
 工作温度: 静态: -40°C到 100°C, 短时间达 120°C  
 动态: -20°C到 80°C, 短时间达 100°C

Material: Nickel-plated brass  
 Claw: IPA66 (Nylon), UL94-V2  
 Hermetic seal: EPDM, Silicone rubber  
 O-Ring: EPDM, Silicone rubber  
 Protection degree: IP68-10 bar  
 Temperature: Static state: -40 to 100°C, Short time to 120°C  
 Dynamic state: -20°C to 80°C, Short time to 100°C



专利产品 patented product

规格参数 单位: mm

| 规格 Item | 适用范围 Φ Range | 螺纹长度 GL Thread Length | 螺纹外径 AG Thread O.D. | 接合长度 H Joint Length | 扳手径 Spanner size | 产品编号 Code        |
|---------|--------------|-----------------------|---------------------|---------------------|------------------|------------------|
| M12×1.5 | 3-6.5        | 10                    | 12                  | 17                  | 14               | HX-NP.M12 L10    |
| M16×1.5 | 4-8          | 12                    | 16                  | 19                  | 18               | HX-NP.M16 L12    |
| M18×1.5 | 5-10         | 12                    | 18                  | 21                  | 20               | HX-NP.M18 L12    |
| M20×1.5 | 6-12         | 12                    | 20                  | 22                  | 22               | HX-NP.M20 L12    |
| M22×1.5 | 10-14        | 12                    | 22                  | 23                  | 24               | HX-NP.M22 L12    |
| M25×1.5 | 10-14        | 12                    | 25                  | 25                  | 24/27            | HX-NP.M25-14 L12 |
| M25×1.5 | 13-18        | 12                    | 25                  | 27                  | 30/27            | HX-NP.M25-18 L12 |
| M32×1.5 | 15-22        | 15                    | 32                  | 29                  | 35               | HX-NP.M32 L15    |
| M40×1.5 | 18-25        | 15                    | 40                  | 31                  | 40/45            | HX-NP.M40-25 L15 |
| M40×1.5 | 22-30        | 15                    | 40                  | 35                  | 45               | HX-NP.M40-30 L15 |
| M50×1.5 | 32-38        | 15                    | 50                  | 37                  | 57/55            | HX-NP.M50 L15    |
| M63×1.5 | 37-44        | 18                    | 63                  | 38                  | 64/68            | HX-NP.M63 L18    |
| PG7     | 3-6.5        | 10                    | 12.5                | 17                  | 14/15            | HX-NP.PG7 L10    |
| PG9     | 4-8          | 12                    | 15.2                | 19                  | 17/18            | HX-NP.PG9 L12    |
| PG11    | 5-10         | 12                    | 18.6                | 21                  | 20/21            | HX-NP.PG11 L12   |
| PG13.5  | 6-12         | 12                    | 20.4                | 22                  | 22/23            | HX-NP.PG13.5 L12 |
| PG16    | 10-14        | 12                    | 22.5                | 23                  | 24/25            | HX-NP.PG16 L12   |
| PG21    | 13-18        | 12                    | 28.3                | 27                  | 30               | HX-NP.PG21 L12   |
| PG29    | 18-25        | 15                    | 37.0                | 31                  | 40               | HX-NP.PG29 L15   |
| PG36    | 25-33        | 15                    | 47.0                | 37                  | 50               | HX-NP.PG36 L15   |
| PG42    | 32-38        | 15                    | 54.0                | 37                  | 57               | HX-NP.PG42 L15   |
| PG48    | 37-44        | 18                    | 59.3                | 38                  | 64               | HX-NP.PG48 L18   |

其他型号请参考 1-4 页  
 For other models, please refer to pages 1-4



# 金属加强型电缆接头

Metal Cable Gland-Strengthened Type

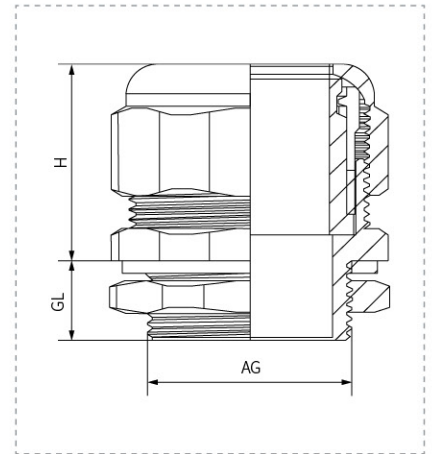


M / PG

CE ROHS IP68 REACH

材质: 镀镍黄铜  
 夹紧爪: 尼龙塑料 PA66, UL94-V2  
 密封件: 三元乙丙、硅橡胶等  
 防水圈: 三元乙丙、硅橡胶等  
 防水等级: IP68-10 巴压力  
 工作温度: 静态: -40°C到 100°C, 短时间达 120°C  
 动态: -20°C到 80°C, 短时间达 100°C

Material: Nickel-plated brass  
 Claw: IPA66 (Nylon), UL94-V2  
 Hermetic seal: EPDM, Silicone rubber  
 O-Ring: EPDM, Silicone rubber  
 Protection degree: IP68-10 bar  
 Temperature: Static state: -40 to 100°C, Short time to 120°C  
 Dynamic state: -20°C to 80°C, Short time to 100°C



规格参数 单位: mm

专利产品 patented product

| 规格 Item | 适用范围 $\Phi$ Range | 螺纹长度 GL Thread Length | 螺纹外径 AG Thread O.D. | 接合长度 H Joint Length | 扳手径 Spanner size | 产品编号 Code     |
|---------|-------------------|-----------------------|---------------------|---------------------|------------------|---------------|
| M12×1.5 | 4-8               | 8                     | 12                  | 18.5                | 18               | HX-MG.MG12    |
| M16×1.5 | 5-10              | 9                     | 16                  | 21.5                | 22               | HX-MG.MG16    |
| M20×1.5 | 10-14             | 9.5                   | 20                  | 25.5                | 27               | HX-MG.MG20    |
| M25×1.5 | 13-18             | 11                    | 25                  | 28                  | 30               | HX-MG.MG25    |
| M32×1.5 | 18-25             | 12.5                  | 32                  | 33                  | 40               | HX-MG.MG32    |
| M40×1.5 | 25-32             | 15                    | 40                  | 35                  | 50               | HX-MG.MG40    |
| M50×1.5 | 32-42             | 15                    | 50                  | 40                  | 59               | HX-MG.MG50    |
| M63×1.5 | 35-45             | 17                    | 63                  | 45                  | 67               | HX-MG.MG63    |
| PG7     | 4-8               | 8                     | 12.5                | 18.5                | 18               | HX-MG.MPG7    |
| PG9     | 5-10              | 9                     | 15.2                | 21.5                | 22               | HX-MG.MPG9    |
| PG11    | 6-12              | 9                     | 18.6                | 24.0                | 24               | HX-MG.MPG11   |
| PG13.5  | 10-14             | 9.5                   | 20.4                | 25.5                | 27               | HX-MG.MPG13.5 |
| PG16    | 12-16             | 9.5                   | 22.5                | 27.0                | 27               | HX-MG.MPG16   |
| PG21    | 13-18             | 11                    | 28.3                | 28.0                | 30               | HX-MG.MPG21   |
| PG29    | 18-25             | 12.5                  | 37.0                | 33.0                | 40               | HX-MG.MPG29   |
| PG36    | 25-32             | 15                    | 47.0                | 35.0                | 50               | HX-MG.MPG36   |
| PG42    | 32-42             | 15                    | 54.0                | 40.0                | 59               | HX-MG.MPG42   |
| PG48    | 35-45             | 17                    | 59.3                | 45.0                | 67               | HX-MG.MPG48   |



金属电缆接头系列 Metal Cable Gland Series



# 金属直通型电缆接头

Metal Cable Gland-Direct Type



M / PG

CE ROHS IP68 REACH

材质: 镀镍黄铜

夹紧爪: 尼龙塑料 PA66, UL94-V2

密封件: 三元乙丙、硅橡胶等

防水圈: 三元乙丙、硅橡胶等

防水等级: IP68-10 巴压力

工作温度: 静态: -40°C到 100°C, 短时间达 120°C

动态: -20°C到 80°C, 短时间达 100°C

Material: Nickel-plated brass

Claw: IPA66 (Nylon), UL94-V2

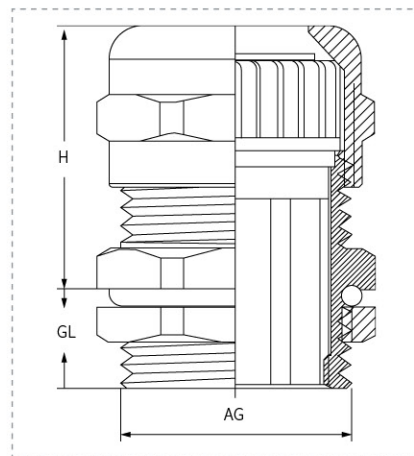
Hermetic seal: EPDM, Silicone rubber

O-Ring: EPDM, Silicone rubber

Protection degree: IP68-10 bar

Temperature: Static state: -40 to 100°C, Short time to 120°C

Dynamic state: -20°C to 80°C, Short time to 100°C



专利产品 patented product

规格参数 单位: mm

| 规格 Item | 适用范围 $\Phi$ Range | 螺纹长度 GL Thread Length | 螺纹外径 AG Thread O.D. | 接合长度 H Joint Length | 扳手径 Spanner size | 产品编号 Code    |
|---------|-------------------|-----------------------|---------------------|---------------------|------------------|--------------|
| M12×1.5 | 3-6.5             | 6.5                   | 12                  | 17                  | 14               | HX-NT.M12    |
| M16×1.5 | 4-8               | 8                     | 16                  | 19                  | 18               | HX-NT.M16    |
| M18×1.5 | 5-10              | 8                     | 18                  | 21                  | 20               | HX-NT.M18    |
| M20×1.5 | 6-12              | 8                     | 20                  | 22                  | 22               | HX-NT.M20    |
| M22×1.5 | 10-14             | 8                     | 22                  | 23                  | 24               | HX-NT.M22    |
| M25×1.5 | 10-14             | 9                     | 25                  | 25                  | 24/27            | HX-NT.M25-14 |
| M25×1.5 | 13-18             | 9                     | 25                  | 27                  | 30/27            | HX-NT.M25-18 |
| M27×1.5 | 13-18             | 9                     | 27                  | 27                  | 30               | HX-NT.M27    |
| M32×1.5 | 15-22             | 10                    | 32                  | 29                  | 35               | HX-NT.M32    |
| M36×1.5 | 18-25             | 10                    | 36                  | 31                  | 40               | HX-NT.M36    |
| M40×1.5 | 18-25             | 10                    | 40                  | 31                  | 40/45            | HX-NT.M40-25 |
| M40×1.5 | 22-30             | 10                    | 40                  | 35                  | 45               | HX-NT.M40-30 |
| M48×1.5 | 25-33             | 10                    | 48                  | 37                  | 50/52            | HX-NT.M48    |
| M50×1.5 | 32-38             | 10                    | 50                  | 37                  | 57/55            | HX-NT.M50    |
| M63×1.5 | 37-44             | 10                    | 63                  | 38                  | 64/68            | HX-NT.M63    |
| PG7     | 3-6.5             | 6.5                   | 12.5                | 17                  | 14/15            | HX-NT.PG7    |
| PG9     | 4-8               | 8                     | 15.2                | 19                  | 17/18            | HX-NT.PG9    |
| PG11    | 5-10              | 8                     | 18.6                | 21                  | 20/21            | HX-NT.PG11   |
| PG13.5  | 6-12              | 8                     | 20.4                | 22                  | 22/23            | HX-NT.PG13.5 |
| PG16    | 10-14             | 8                     | 22.5                | 23                  | 24/25            | HX-NT.PG16   |
| PG21    | 13-18             | 9                     | 28.3                | 27                  | 30               | HX-NT.PG21   |
| PG29    | 18-25             | 10                    | 37.0                | 31                  | 40               | HX-NT.PG29   |
| PG36    | 25-33             | 10                    | 47.0                | 37                  | 50               | HX-NT.PG36   |
| PG42    | 32-38             | 10                    | 54.0                | 37                  | 57               | HX-NT.PG42   |
| PG48    | 37-44             | 10                    | 59.3                | 38                  | 64               | HX-NT.PG48   |

可选择 G / NPT 螺纹定制  
Customizable G/NPT thread



# 金属耐高温电缆接头

Metal Cable Gland-High Temperature Resistance Type

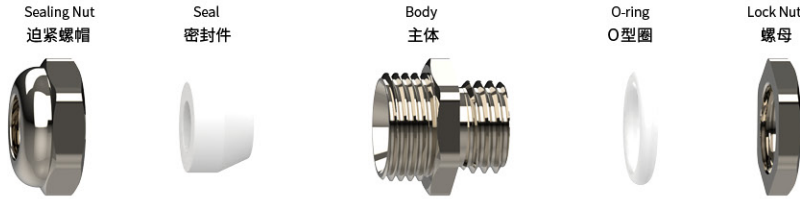
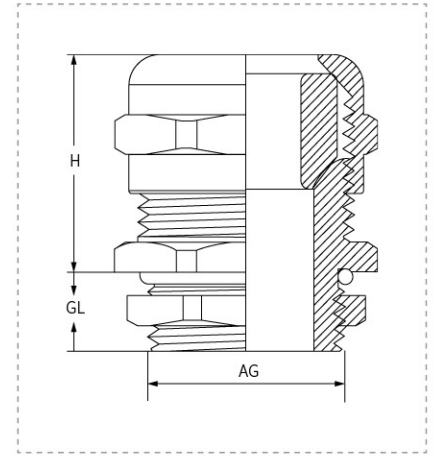


M / PG / G / NPT

CE ROHS IP68 REACH

材质: 镀镍黄铜  
 密封件: 三元乙丙、硅橡胶等  
 防水圈: 三元乙丙、硅橡胶等  
 防水等级: IP68-10 巴压力  
 工作温度: 静态:-60°C到 250°C

Material: Nickel-plated brass  
 Hermetic seal: EPDM, Silicone rubber  
 O-Ring: EPDM, Silicone rubber  
 Protection degree: IP68-10 bar  
 Temperature: Static state:-60 to 250°C



规格参数 单位: mm

专利产品 patented product

| 规格 Item | 适用范围 $\Phi$ Range | 螺纹长度 GL Thread Length | 螺纹外径 AG Thread O.D. | 扳手径 Spanner size | 产品编号 Code    |
|---------|-------------------|-----------------------|---------------------|------------------|--------------|
| M12×1.5 | 4-6.5             | 7                     | 12                  | 16/14            | HX-NG.M12S   |
| M12×1.5 | 5-8               | 7                     | 12                  | 16/14            | HX-NG.M12S-8 |
| M14×1.5 | 5-8               | 7                     | 14                  | 18/17            | HX-NG.M14S   |
| M16×1.5 | 6-9               | 8                     | 16                  | 20/18            | HX-NG.M16S   |
| M18×1.5 | 8-12              | 8                     | 18                  | 22/20            | HX-NG.M18S   |
| M20×1.5 | 8-12              | 8                     | 20                  | 24/22            | HX-NG.M20S   |

|        |      |   |      |       |               |
|--------|------|---|------|-------|---------------|
| PG7    | 3-7  | 7 | 12.5 | 16/15 | HX-NG.PG7S    |
| PG9    | 4-8  | 7 | 15.2 | 18/18 | HX-NG.PG9S    |
| PG11   | 5-9  | 8 | 18.5 | 22/21 | HX-NG.PG11S   |
| PG13.5 | 8-12 | 8 | 20.4 | 24/23 | HX-NG.PG13.5S |



金属电缆接头系列 Metal Cable Gland Series

# 金属耐高温电缆接头

Metal Cable Gland-High Temperature Resistance Type

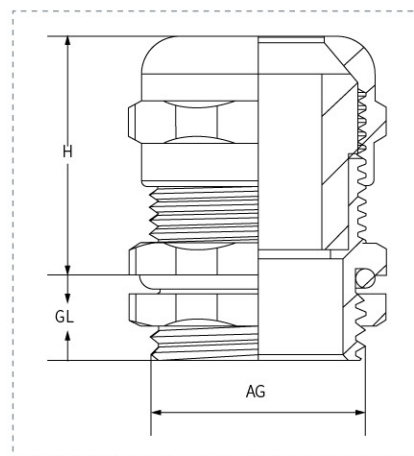


M

CE ROHS IP68 REACH

材质: 镀镍黄铜  
 密封件: 三元乙丙、硅橡胶等  
 防水圈: 三元乙丙、硅橡胶等  
 防水等级: IP68-10 巴压力  
 工作温度: 静态: -60°C到 250°C

Material: Nickel-plated brass  
 Hermetic seal: EPDM, Silicone rubber  
 O-Ring: EPDM, Silicone rubber  
 Protection degree: IP68-10 bar  
 Temperature: Static state: -60 to 250°C



专利产品 patented product

规格参数 单位: mm

| 规格 Item | 适用范围 $\Phi$ Range | 螺纹长度 GL Thread Length | 螺纹外径 AG Thread O.D. | 接合长度 H Joint Length | 扳手径 Spanner size | 产品编号 Code      |
|---------|-------------------|-----------------------|---------------------|---------------------|------------------|----------------|
| M8×1    | 2-5               | 5                     | 8.0                 | 13.5                | 12               | HX-NGS.M8-5    |
| M10×1.0 | 3-6.5             | 6.5                   | 10.0                | 17                  | 14               | HX-NGS.M10-6.5 |
| M12×1.0 | 3-6.5             | 6.5                   | 12.0                | 17                  | 14               | HX-NGS.M12-6.5 |
| M14×1.5 | 4-8               | 8                     | 14.0                | 18                  | 17               | HX-NGS.M14-8   |
| M16×1.5 | 4-8               | 8                     | 16.0                | 19                  | 18               | HX-NGS.M16-8   |
| M18×1.5 | 5-10              | 8                     | 18.0                | 20                  | 20               | HX-NGS.M18-10  |
| M20×1.5 | 8-12              | 8                     | 20.0                | 21                  | 22               | HX-NGS.M20-12  |
| M22×1.5 | 10-14             | 8                     | 22.0                | 22                  | 24               | HX-NGS.M22-14  |
| M24×1.5 | 10-14             | 9                     | 24.0                | 22                  | 24/27            | HX-NGS.M24-14  |
| M25×1.5 | 10-14             | 9                     | 25.0                | 22                  | 24/27            | HX-NGS.M25-14  |
|         | 12-16             | 9                     | 25.0                | 25                  | 27               | HX-NGS.M25-16  |
|         | 13-18             | 9                     | 25.0                | 27                  | 30/27            | HX-NGS.M25-18  |
| M27×1.5 | 13-18             | 9                     | 27.0                | 27                  | 30               | HX-NGS.M27-18  |
| M32×1.5 | 15-22             | 10                    | 32.0                | 29                  | 35               | HX-NGS.M32-22  |
| M36×1.5 | 18-25             | 10                    | 36.0                | 31                  | 40               | HX-NGS.M36-25  |
| M40×1.5 | 18-25             | 11                    | 40.0                | 31                  | 40/45            | HX-NGS.M40-25  |
|         | 22-30             | 11                    | 40.0                | 35                  | 45               | HX-NGS.M40-30  |
| M48×1.5 | 25-33             | 11                    | 48.0                | 37                  | 50/52            | HX-NGS.M48-33  |
| M50×1.5 | 32-38             | 13                    | 50.0                | 37                  | 57/55            | HX-NGS.M50-38  |
| M63×1.5 | 37-44             | 14                    | 63.0                | 38                  | 64/68            | HX-NGS.M63-44  |



# 金属耐高温电缆接头

Metal Cable Gland-High Temperature Resistance Type

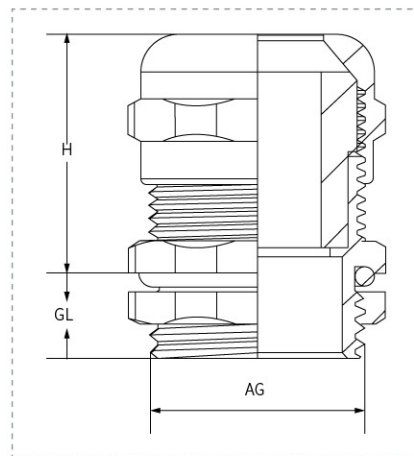


PG

CE ROHS IP68 REACH

材质: 镀镍黄铜  
 密封件: 三元乙丙、硅橡胶等  
 防水圈: 三元乙丙、硅橡胶等  
 防水等级: IP68-10 巴压力  
 工作温度: 静态: -60°C到 250°C

Material: Nickel-plated brass  
 Hermetic seal: EPDM, Silicone rubber  
 O-Ring: EPDM, Silicone rubber  
 Protection degree: IP68-10 bar  
 Temperature: Static state: -60 to 250°C



专利产品 patented product

| 规格 Item | 适用范围 $\Phi$ Range | 螺纹长度 GL Thread Length | 螺纹外径 AG Thread O.D. | 接合长度 H Joint Length | 扳手径 Spanner size | 产品编号 Code        |
|---------|-------------------|-----------------------|---------------------|---------------------|------------------|------------------|
| PG7     | 3-6.5             | 6.5                   | 12.5                | 17                  | 14/15            | HX-NGS.PG7-6.5   |
| PG9     | 4-8               | 8                     | 15.2                | 19                  | 17/18            | HX-NGS.PG9-8     |
| PG11    | 5-10              | 8                     | 18.6                | 21                  | 20/21            | HX-NGS.PG11-10   |
| PG13.5  | 8-12              | 8                     | 20.4                | 22                  | 22/23            | HX-NGS.PG13.5-12 |
| PG16    | 10-14             | 8                     | 22.5                | 23                  | 24/25            | HX-NGS.PG16-14   |
| PG19    | 10-14             | 9                     | 25.0                | 25                  | 24/27            | HX-NGS.PG19-14   |
| PG21    | 13-18             | 9                     | 28.3                | 27                  | 30               | HX-NGS.PG21-18   |
| PG25    | 15-22             | 10                    | 32.0                | 29                  | 35               | HX-NGS.PG25-22   |
| PG29    | 18-25             | 10                    | 37.0                | 31                  | 40               | HX-NGS.PG29-25   |
| PG36    | 25-33             | 11                    | 47.0                | 37                  | 50               | HX-NGS.PG36-33   |
| PG42    | 32-38             | 13                    | 54.0                | 37                  | 57               | HX-NGS.PG42-38   |
| PG48    | 37-44             | 14                    | 59.3                | 38                  | 64               | HX-NGS.PG48-44   |



金属电缆接头系列 Metal Cable Gland Series

# 金属耐高温电缆接头

Metal Cable Gland-High Temperature Resistance Type

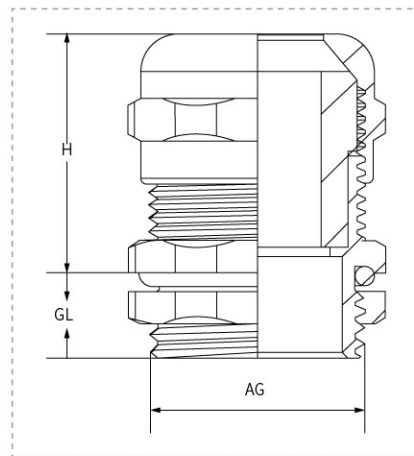


G / NPT

CE ROHS IP68 REACH

材质: 镀镍黄铜  
 密封件: 三元乙丙、硅橡胶等  
 防水圈: 三元乙丙、硅橡胶等  
 防水等级: IP68-10 巴压力  
 工作温度: 静态: -60°C到 250°C

Material: Nickel-plated brass  
 Hermetic seal: EPDM, Silicone rubber  
 O-Ring: EPDM, Silicone rubber  
 Protection degree: IP68-10 bar  
 Temperature: Static state: -60 to 250°C



专利产品 patented product

规格参数 单位: mm

| 规格 Item  | 适用范围 $\Phi$ Range | 螺纹长度 GL Thread Length | 螺纹外径 AG Thread O.D. | 接合长度 H Joint Length | 扳手径 Spanner size | 产品编号 Code          |
|----------|-------------------|-----------------------|---------------------|---------------------|------------------|--------------------|
| G1/4     | 3-6.5             | 6.5                   | 13.1                | 13.5                | 14/15            | HX-NGS.G1/4-6.5    |
| G3/8     | 4-8               | 8                     | 16.6                | 17                  | 18/19            | HX-NGS.G3/8-8      |
| G1/2     | 8-12              | 8                     | 20.9                | 22                  | 22/23            | HX-NGS.G1/2-12     |
| G3/4     | 13-18             | 9                     | 26.4                | 25                  | 30               | HX-NGS.G3/4-18     |
| G1       | 18-25             | 10                    | 33.2                | 29                  | 40               | HX-NGS.G1-25       |
| G1-1/4   | 25-33             | 11                    | 41.9                | 35                  | 50               | HX-NGS.G1-1/4-33   |
| G1-1/2   | 32-38             | 12                    | 47.8                | 37                  | 57/55            | HX-NGS.G1-1/2-38   |
| G2       | 37-44             | 14                    | 59.6                | 38                  | 64               | HX-NGS.G2-44       |
|          |                   |                       |                     |                     |                  |                    |
| NPT1/4   | 3-6.5             | 6.5                   | 13.6                | 13.5                | 14/15            | HX-NGS.NPT1/4-6.5  |
| NPT3/8   | 4-8               | 8                     | 17.0                | 17                  | 18/19            | HX-NGS.NPT3/8-8    |
| NPT1/2   | 8-12              | 8                     | 21.2                | 22                  | 22               | HX-NGS.NPT1/2-12   |
| NPT3/4   | 13-18             | 9                     | 26.5                | 25                  | 30               | HX-NGS.NPT3/4-18   |
| NPT1     | 18-25             | 10                    | 33.2                | 29                  | 40               | HX-NGS.NPT1-25     |
| NPT1-1/4 | 25-33             | 11                    | 41.9                | 35                  | 50               | HX-NGS.NPT1-1/4-33 |
| NPT1-1/2 | 32-38             | 12                    | 48.0                | 37                  | 57               | HX-NGS.NPT1-1/2-38 |
| NPT2     | 37-44             | 14                    | 60.0                | 38                  | 64               | HX-NGS.NPT2-44     |

注: NPT 型号 标配不带螺母, 可选配 /NPT models come standard without nuts and are optional  
 范围大小可定制 /Range size can be customized



# 金属屏蔽型电缆接头

Metal Cable Gland-EMC-W Type



M / PG / G / NPT

CE ROHS IP68 REACH

材质: 镀镍黄铜

夹紧爪: 尼龙塑料 PA66, UL94-V2

密封件: 三元乙丙、硅橡胶等

防水圈: 三元乙丙、硅橡胶等

防水等级: IP68-10 巴压力

工作温度: 静态: -40°C到 100°C, 短时间达 120°C

动态: -20°C到 80°C, 短时间达 100°C

Material: Nickel-plated brass

Claw: IPA66 (Nylon), UL94-V2

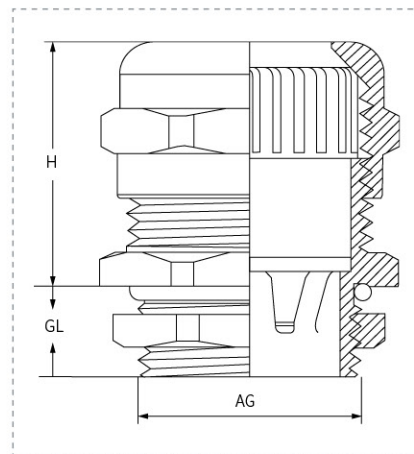
Hermetic seal: EPDM, Silicone rubber

O-Ring: EPDM, Silicone rubber

Protection degree: IP68-10 bar

Temperature: Static state: -40 to 100°C, Short time to 120°C

Dynamic state: -20°C to 80°C, Short time to 100°C



规格参数 单位: mm

专利产品 patented product

| 规格 Item | 适用范围 $\Phi$ Range | 螺纹长度 GL Thread Length | 接合长度 H Joint Length | 扳手径 Spanner size | 产品编号 Code     |
|---------|-------------------|-----------------------|---------------------|------------------|---------------|
| M12×1.5 | 3-6.5             | 6.5                   | 19                  | 14               | HX-EMC.M12    |
| M16×1.5 | 4-8               | 8                     | 20                  | 18               | HX-EMC.M16    |
|         | 5-10              | 8                     | 21                  | 20/18            | HX-EMC.M16-10 |
| M18×1.5 | 5-10              | 8                     | 21                  | 20               | HX-EMC.M18    |
| M20×1.5 | 6-12              | 8                     | 22                  | 22               | HX-EMC.M20    |
|         | 10-14             | 8                     | 23                  | 24/22            | HX-EMC.M20-14 |
| M22×1.5 | 10-14             | 8                     | 23                  | 24               | HX-EMC.M22    |
| M25×1.5 | 10-14             | 9                     | 25                  | 24/27            | HX-EMC.M25-14 |
|         | 12-16             | 9                     | 27                  | 27               | HX-EMC.M25-16 |
|         | 13-18             | 9                     | 27                  | 30/27            | HX-EMC.M25-18 |
| M32×1.5 | 15-22             | 10                    | 29                  | 35               | HX-EMC.M32    |
|         | 18-25             | 10                    | 31                  | 40/35            | HX-EMC.M32-25 |
| M40×1.5 | 18-25             | 11                    | 31                  | 40/45            | HX-EMC.M40-25 |
|         | 22-30             | 11                    | 35                  | 45               | HX-EMC.M40-30 |
|         | 25-33             | 11                    | 37                  | 50/45            | HX-EMC.M40-33 |
| M50×1.5 | 32-38             | 13                    | 37                  | 57/55            | HX-EMC.M50    |
| M63×1.5 | 37-44             | 14                    | 38                  | 64/68            | HX-EMC.M63    |
|         | 42-52             | 14                    | 38                  | 78/68            | HX-EMC.M63-52 |
| M72×2   | 42-52             | 16                    | 42                  | 78               | HX-EMC.M72    |
| M80×2   | 55-62             | 18                    | 45                  | 88               | HX-EMC.M80    |
| M88×2   | 65-70             | 18                    | 45                  | 94               | HX-EMC.M88    |
| M100×2  | 78-84             | 20                    | 53                  | 110              | HX-EMC.M100   |

可选择 PG / G / NPT 螺纹 PG/G/NPT threads are available  
其他型号范围可来电咨询 Other model ranges can be inquired



# 金属屏蔽型电缆接头 -T 型

Metal Cable Gland-EMC-T Type



M / PG / G / NPT

CE ROHS IP68 REACH

材质: 镀镍黄铜

夹紧爪: 尼龙塑料 PA66, UL94-V2

密封件: 三元乙丙、硅橡胶等

防水圈: 三元乙丙、硅橡胶等

防水等级: IP68-10 巴压力

工作温度: 静态: -40°C到 100°C, 短时间达 120°C

动态: -20°C到 80°C, 短时间达 100°C

应用特点: 适用于对线缆密封, 抗拉有特别要求的场合

Material: Nickel-plated brass

Claw: IPA66 (Nylon), UL94-V2

Hermetic seal: EPDM, Silicone rubber

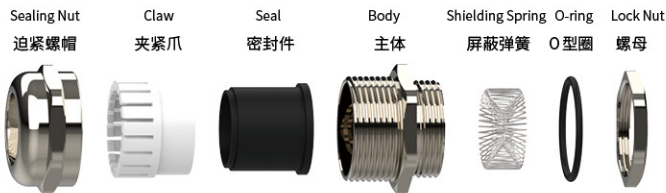
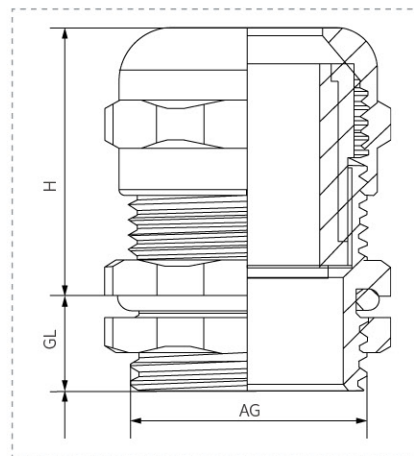
O-Ring: EPDM, Silicone rubber

Protection degree: IP68-10 bar

Temperature: Static state: -40 to 100°C, Short time to 120°C

Dynamic state: -20°C to 80°C, Short time to 100°C

Application features: It is suitable for occasions where there are special requirements for cable sealing and tensile resistance



专利产品 patented product

规格参数 单位: mm

| 规格 Item | 适用范围 $\Phi$ Range | 螺纹长度 GL Thread Length | 接合长度 H Joint Length | 扳手径 Spanner size | 产品编号 Code        |
|---------|-------------------|-----------------------|---------------------|------------------|------------------|
| M12×1.5 | 3-6.5             | 6.5                   | 21                  | 14               | HX-EMC.M12-6.5-T |
|         | 4-8               | 8                     | 21                  | 17/14            | HX-EMC.M12-8-T   |
| M16×1.5 | 4-8               | 8                     | 25                  | 18               | HX-EMC.M16-8-T   |
|         | 5-10              | 8                     | 25                  | 20/18            | HX-EMC.M16-10-T  |
| M18×1.5 | 5-10              | 8                     | 25                  | 20               | HX-EMC.M18-10-T  |
| M20×1.5 | 6-12              | 8                     | 29                  | 22               | HX-EMC.M20-12-T  |
|         | 10-14             | 8                     | 29                  | 24/22            | HX-EMC.M20-14-T  |
| M22×1.5 | 10-14             | 8                     | 29                  | 24               | HX-EMC.M22-14-T  |
| M25×1.5 | 10-14             | 9                     | 30                  | 24/27            | HX-EMC.M25-14-T  |
|         | 12-16             | 9                     | 30                  | 27               | HX-EMC.M25-16-T  |
|         | 13-18             | 9                     | 30                  | 30/27            | HX-EMC.M25-18-T  |
| M32×1.5 | 15-22             | 10                    | 32                  | 35               | HX-EMC.M32-22-T  |
|         | 18-25             | 10                    | 32                  | 40/35            | HX-EMC.M32-25-T  |
| M40×1.5 | 18-25             | 11                    | 35                  | 40/45            | HX-EMC.M40-25-T  |
|         | 22-30             | 11                    | 35                  | 45               | HX-EMC.M40-30-T  |
|         | 25-33             | 11                    | 35                  | 50/45            | HX-EMC.M40-33-T  |
| M50×1.5 | 32-38             | 13                    | 39                  | 57/55            | HX-EMC.M50-38-T  |
| M63×1.5 | 37-44             | 14                    | 40                  | 64/68            | HX-EMC.M63-44-T  |
|         | 42-52             | 14                    | 40                  | 78/68            | HX-EMC.M63-52-T  |



# 金属管接式电缆接头

Metal Tubular Cable Glands

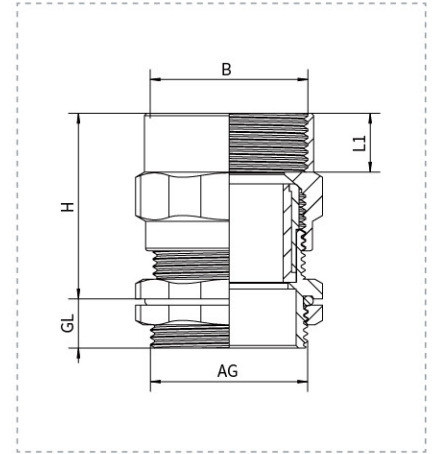


M / PG / G

CE ROHS IP68 REACH

材质: 镀镍黄铜  
 夹紧爪: 尼龙塑料 PA66, UL94-V2  
 密封件: 三元乙丙、硅橡胶等  
 防水圈: 三元乙丙、硅橡胶等  
 防水等级: IP68-10 巴压力  
 工作温度: 静态: -40°C到 100°C, 短时间达 120°C  
 动态: -20°C到 80°C, 短时间达 100°C

Material: Nickel-plated brass  
 Claw: IPA66 (Nylon), UL94-V2  
 Hermetic seal: EPDM, Silicone rubber  
 O-Ring: EPDM, Silicone rubber  
 Protection degree: IP68-10 bar  
 Temperature: Static state: -40 to 100°C, Short time to 120°C  
 Dynamic state: -20°C to 80°C, Short time to 100°C



规格参数 单位: mm

专利产品 patented product

| 规格 Item | 适用范围 Range | 螺纹长度 GL Thread Length | 内螺纹 B Female thread | 内螺纹深度 L1 Female thread depth | 螺纹外径 AG Thread O.D. | 接合长度 H Joint Length | 扳手径 Spanner size | 产品编号 Code              |
|---------|------------|-----------------------|---------------------|------------------------------|---------------------|---------------------|------------------|------------------------|
| M12×1.5 | 3-6.5      | 6.5                   | M12×1.5             | 8                            | 12.0                | 25                  | 14               | HX-NY.M12-6.5-M12      |
| M16×1.5 | 4-8        | 8                     | M16×1.5             | 10                           | 16.0                | 28                  | 18               | HX-NY.M16-8-M16        |
| M20×1.5 | 6-12       | 8                     | M20×1.5             | 10                           | 20.0                | 30                  | 22               | HX-NY.M20-12-M20       |
| M25×1.5 | 12-16      | 9                     | M25×1.5             | 10                           | 25.0                | 34                  | 27               | HX-NY.M25-16-M25       |
| M32×1.5 | 15-22      | 10                    | M32×1.5             | 12                           | 32.0                | 40                  | 35               | HX-NY.M32-22-M32       |
| M40×1.5 | 22-30      | 11                    | M40×1.5             | 12                           | 40.0                | 46                  | 45               | HX-NY.M40-30-M40       |
| M50×1.5 | 32-38      | 13                    | M50×1.5             | 15                           | 50.0                | 48                  | 57/55            | HX-NY.M50-38-M50       |
| M63×1.5 | 37-44      | 14                    | M63×1.5             | 15                           | 63.0                | 49                  | 64               | HX-NY.M63-44-M63       |
| G1/2    | 6-12       | 8                     | G1/2                | 10                           | 20.0                | 30                  | 24/22            | HX-NY.G1/2-12-G1/2     |
| G3/4    | 13-18      | 9                     | G3/4                | 10                           | 25.0                | 35                  | 30               | HX-NY.G3/4-18-G3/4     |
| G1      | 15-22      | 10                    | G1                  | 12                           | 32.0                | 40                  | 36               | HX-NY.G1-22-G1         |
| G1-1/4  | 22-30      | 11                    | G1-1/4              | 12                           | 40.0                | 46                  | 45               | HX-NY.G1-1/4-30-G1-1/4 |
| G1-1/2  | 32-38      | 13                    | G1-1/2              | 15                           | 50.0                | 48                  | 57/55            | HX-NY.G1-1/2-38-G1-1/2 |
| G2      | 37-44      | 14                    | G2                  | 15                           | 63.0                | 49                  | 68/64            | HX-NY.G2-44-G2         |

外接管螺纹尺寸支持定制 M/PG/G/NPT  
 Male thread sizes support custom M/PG/G/NPT



金属电缆接头系列 Metal Cable Gland Series



# 金属多孔型电缆接头

Metal Cable Gland-Multihole Type



M

CE ROHS IP68 REACH

材质: 镀镍黄铜

夹紧爪: 尼龙塑料 PA66, UL94-V2

密封件: 三元乙丙、硅橡胶等

防水圈: 三元乙丙、硅橡胶等

防水等级: IP68-10 巴压力

工作温度: 静态: -40°C到 100°C, 短时间达 120°C

动态: -20°C到 80°C, 短时间达 100°C

Material: Nickel-plated brass

Claw: IPA66 (Nylon), UL94-V2

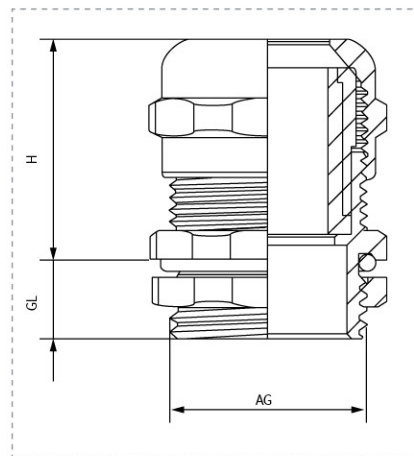
Hermetic seal: EPDM, Silicone rubber

O-Ring: EPDM, Silicone rubber

Protection degree: IP68-10 bar

Temperature: Static state: -40 to 100°C, Short time to 120°C

Dynamic state: -20°C to 80°C, Short time to 100°C



专利产品 patented product

规格参数 单位: mm

| 规格 Item | F    | M2  | M3   | M4  | M5 | M6 | M7  | M8 | 产品编号 Code   |
|---------|------|-----|------|-----|----|----|-----|----|-------------|
| M12×1.5 | /    | 2.5 | /    | /   | /  | /  | /   | /  | HX-ND.M12/* |
| M16×1.5 | /    | 2.5 | /    | /   | /  | /  | /   | /  | HX-ND.M16/* |
| M18×1.5 | /    | 3   | /    | 2.5 | /  | /  | /   | /  | HX-ND.M18/* |
| M20×1.5 | 5*12 | 5   | /    | /   | /  | /  | 2.5 | /  | HX-ND.M20/* |
| M22×1.5 | /    | 6   | 3    | 2.5 | /  | /  | 3.4 | /  | HX-ND.M22/* |
| M25×1.5 | /    | /   | /    | /   | /  | /  | /   | /  | HX-ND.M25/* |
| M27×1.5 | /    | /   | /    | 5   | /  | /  | /   | /  | HX-ND.M27/* |
| M32×1.5 | 7*19 | 8   | 8    | 7.5 | /  | /  | /   | /  | HX-ND.M32/* |
| M37×1.5 | /    | 9.5 | 9.5  | /   | /  | /  | 7.5 | /  | HX-ND.M37/* |
| M40×1.5 | 8*23 | /   | /    | /   | /  | /  | /   | /  | HX-ND.M40/* |
| M47×1.5 | /    | /   | 13.3 | /   | /  | /  | /   | /  | HX-ND.M47/* |
| M50×1.5 | /    | /   | /    | /   | /  | /  | /   | 10 | HX-ND.M50/* |
| M63×1.5 | /    | /   | 18   | /   | /  | /  | /   | /  | HX-ND.M63/* |

可定制多孔, 欢迎来电咨询

Can be customized porous, welcome to inquire



# 不锈钢电缆接头

Stainless Steel Cable Gland

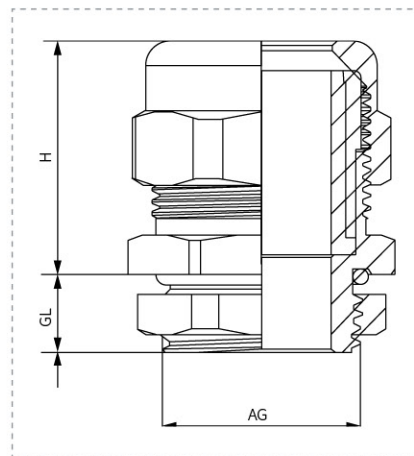
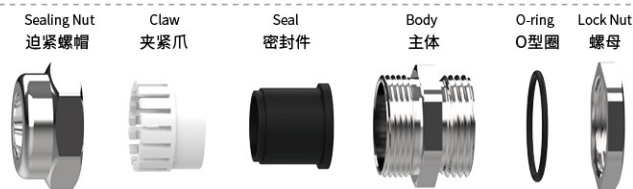


M

CE ROHS IP68

材质: 不锈钢 304/316L  
 夹紧爪: 尼龙塑料 PA66, UL94-V2  
 密封件: 三元乙丙、硅橡胶等  
 防水圈: 三元乙丙、硅橡胶等  
 防水等级: IP68-10 巴压力  
 工作温度: 静态: -40°C到 100°C, 短时间达 120°C  
 动态: -20°C到 80°C, 短时间达 100°C

Material: SS304/SS316L  
 Claw: IPA66 (Nylon), UL94-V2  
 Hermetic seal: EPDM, Silicone rubber  
 O-Ring: EPDM, Silicone rubber  
 Protection degree: IP68-10 bar  
 Temperature: Static state: -40 to 100°C, Short time to 120°C  
 Dynamic state: -20°C to 80°C, Short time to 100°C



专利产品 patented product

规格参数 单位: mm

| 规格 Item | 适用范围 $\Phi$ Range | 螺纹长度 GL Thread Length | 螺纹外径 AG Thread O.D. | 接合长度 H Joint Length | 扳手径 Spanner size | 产品编号 Code    | 规格 Item | 适用范围 $\Phi$ Range | 螺纹长度 GL Thread Length | 螺纹外径 AG Thread O.D. | 接合长度 H Joint Length | 扳手径 Spanner size | 产品编号 Code    |
|---------|-------------------|-----------------------|---------------------|---------------------|------------------|--------------|---------|-------------------|-----------------------|---------------------|---------------------|------------------|--------------|
| M8×1    | 2-5               | 6                     | 8                   | 14                  | 12               | HX-SS.M8     | M36×1.5 | 18-25             | 10                    | 36                  | 28                  | 40               | HX-SS.M36    |
| M10×1   | 2-5               | 7                     | 10                  | 17                  | 14               | HX-SS.M10-5  | M40×1.5 | 18-25             | 10                    | 40                  | 28                  | 40/45            | HX-SS.M40-25 |
|         | 3-6.5             | 7                     | 10                  | 17                  | 14               | HX-SS.M10    |         | 22-30             | 10                    | 40                  | 30                  | 45               | HX-SS.M40-30 |
| M12×1.5 | 3-6.5             | 7                     | 12                  | 17                  | 14/15            | HX-SS.M12    | M42×1.5 | 25-33             | 10                    | 40                  | 30                  | 50/45            | HX-SS.M40-33 |
|         | 4-8               | 8                     | 12                  | 17                  | 18/15            | HX-SS.M12-8  |         | 22-30             | 10                    | 42                  | 30                  | 45               | HX-SS.M42    |
| M14×1.5 | 4-8               | 8                     | 14                  | 19                  | 18               | HX-SS.M14    | M47×1.5 | 25-33             | 11                    | 47                  | 30                  | 50               | HX-SS.M47    |
| M16×1.5 | 4-8               | 8                     | 16                  | 19                  | 18               | HX-SS.M16    | M48×1.5 | 25-33             | 11                    | 48                  | 30                  | 50               | HX-SS.M48    |
|         | 5-10              | 8                     | 16                  | 19                  | 20/18            | HX-SS.M16-10 | M50×1.5 | 32-38             | 12                    | 50                  | 31                  | 55/56            | HX-SS.M50    |
| M18×1.5 | 5-10              | 8                     | 18                  | 19                  | 20               | HX-SS.M18    | M54×1.5 | 32-38             | 12                    | 50                  | 31                  | 55/57            | HX-SS.M54    |
|         | 6-12              | 8                     | 20                  | 20                  | 22               | HX-SS.M20    | M60×1.5 | 37-44             | 13                    | 60                  | 33                  | 66/65            | HX-SS.M60    |
| M20×1.5 | 10-14             | 8                     | 20                  | 20                  | 24/22            | HX-SS.M20-14 | M63×1.5 | 37-44             | 13                    | 63                  | 33                  | 65/68            | HX-SS.M63    |
|         | 10-14             | 8                     | 22                  | 20                  | 24               | HX-SS.M22    | M64×2   | 37-44             | 13                    | 64                  | 33                  | 65/68            | HX-SS.M64    |
| M25×1.5 | 10-14             | 9                     | 25                  | 22                  | 24/27            | HX-SS.M25-14 | M72×2   | 42-52             | 15                    | 72                  | 35                  | 75               | HX-SS.M72    |
|         | 12-16             | 9                     | 25                  | 22                  | 27               | HX-SS.M25-16 | M75×2   | 42-52             | 15                    | 75                  | 35                  | 75/80            | HX-SS.M75    |
|         | 13-18             | 9                     | 25                  | 22                  | 30               | HX-SS.M25-18 | M80×2   | 55-62             | 15                    | 80                  | 37                  | 85               | HX-SS.M80    |
| M27×1.5 | 13-18             | 9                     | 27                  | 22                  | 30               | HX-SS.M27    | M88×2   | 65-70             | 18                    | 88                  | 38                  | 94               | HX-SS.M88    |
| M32×1.5 | 15-22             | 10                    | 32                  | 25                  | 35               | HX-SS.M32    | M90×2   | 65-70             | 18                    | 90                  | 38                  | 94/96            | HX-SS.M90    |
|         | 18-25             | 10                    | 32                  | 28                  | 40/35            | HX-SS.M32-25 | M100×2  | 75-85             | 20                    | 100                 | 53                  | 110              | HX-SS.M100   |
| M33×1.5 | 15-22             | 10                    | 33                  | 29                  | 35/36            | HX-SS.M33    |         |                   |                       |                     |                     |                  |              |



不锈钢电缆接头系列 Stainless Steel Cable Gland Series

# 不锈钢电缆接头

Stainless Steel Cable Gland

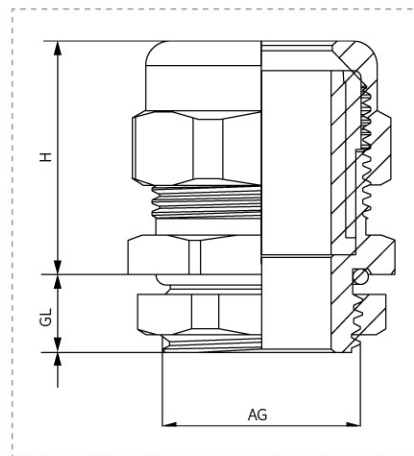


PG

CE ROHS IP68 Ex

材质: 不锈钢 304/316L  
 夹紧爪: 尼龙塑料 PA66, UL94-V2  
 密封件: 三元乙丙、硅橡胶等  
 防水圈: 三元乙丙、硅橡胶等  
 防水等级: IP68-10 巴压力  
 工作温度: 静态: -40°C到 100°C, 短时间达 120°C  
 动态: -20°C到 80°C, 短时间达 100°C

Material: SS304/SS316L  
 Claw: IPA66 (Nylon), UL94-V2  
 Hermetic seal: EPDM, Silicone rubber  
 O-Ring: EPDM, Silicone rubber  
 Protection degree: IP68-10 bar  
 Temperature: Static state: -40 to 100°C, Short time to 120°C  
 Dynamic state: -20°C to 80°C, Short time to 100°C



专利产品 patented product

规格参数 单位: mm

| 规格 Item | 适用范围 $\Phi$ Range | 螺纹长度 GL Thread Length | 螺纹外径 AG Thread O.D. | 接合长度 H Joint Length | 扳手径 Spanner size | 产品编号 Code    |
|---------|-------------------|-----------------------|---------------------|---------------------|------------------|--------------|
| PG7     | 3-6.5             | 7                     | 12.5                | 19.0                | 15               | HX-SS.PG7    |
| PG9     | 4-8               | 8                     | 15.2                | 20.0                | 18               | HX-SS.PG9    |
| PG11    | 5-10              | 8                     | 18.6                | 21.0                | 20               | HX-SS.PG11   |
| PG13.5  | 6-12              | 8                     | 20.4                | 22.0                | 22               | HX-SS.PG13.5 |
| PG16    | 10-14             | 8                     | 22.5                | 23.0                | 24               | HX-SS.PG16   |
| PG19    | 10-14             | 9                     | 25.0                | 23.0                | 27               | HX-SS.PG19   |
| PG21    | 13-18             | 9                     | 28.3                | 27.0                | 30               | HX-SS.PG21   |
| PG25    | 15-22             | 10                    | 32.0                | 29.0                | 35               | HX-SS.PG25   |
| PG29    | 18-25             | 10                    | 37.0                | 31.0                | 40               | HX-SS.PG29   |
| PG36    | 25-33             | 11                    | 47.0                | 37.0                | 50               | HX-SS.PG36   |
| PG42    | 32-38             | 12                    | 54.0                | 38.0                | 55/57            | HX-SS.PG42   |
| PG48    | 37-44             | 13                    | 59.3                | 38.0                | 65/66            | HX-SS.PG48   |
| PG63    | 42-52             | 15                    | 72.0                | 42.0                | 75               | HX-SS.PG63   |



不锈钢电缆接头系列 Stainless Steel Cable Gland Series

# 不锈钢电缆接头

Stainless Steel Cable Gland

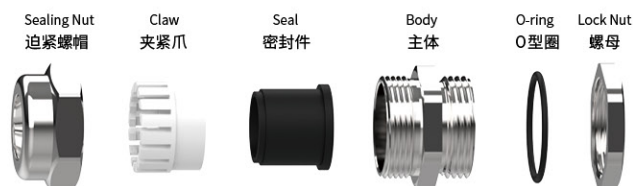
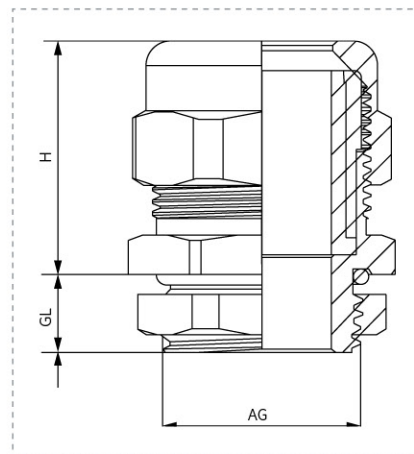


G / NPT

CE ROHS IP68 Ex

材质: 不锈钢 304/316L  
 夹爪: 尼龙塑料 PA66, UL94-V2  
 密封件: 三元乙丙、硅橡胶等  
 防水圈: 三元乙丙、硅橡胶等  
 防水等级: IP68-10 巴压力  
 工作温度: 静态: -40°C到 100°C, 短时间达 120°C  
 动态: -20°C到 80°C, 短时间达 100°C

Material: SS304/SS316L  
 Claw: IPA66 (Nylon), UL94-V2  
 Hermetic seal: EPDM, Silicone rubber  
 O-Ring: EPDM, Silicone rubber  
 Protection degree: IP68-10 bar  
 Temperature: Static state: -40 to 100°C, Short time to 120°C  
 Dynamic state: -20°C to 80°C, Short time to 100°C



专利产品 patented product

规格参数 单位: mm

| 规格 Item  | 适用范围 Φ Range | 螺纹长度 GL Thread Length | 接合长度 H Joint Length | 螺纹外径 AG Thread O.D. | 扳手径 Spanner size | 产品编号 Code      |
|----------|--------------|-----------------------|---------------------|---------------------|------------------|----------------|
| G1/4     | 3-6.5        | 7                     | 19                  | 13.1                | 14/16            | HX-SS.G1/4     |
| G3/8     | 4-8          | 8                     | 21                  | 16.6                | 18/20            | HX-SS.G3/8     |
| G1/2     | 6-12         | 8                     | 22                  | 20.9                | 22/24            | HX-SS.G1/2     |
| G3/4     | 13-18        | 9                     | 25                  | 26.4                | 30               | HX-SS.G3/4     |
| G1       | 18-25        | 10                    | 29                  | 32.2                | 40               | HX-SS.G1       |
| G1-1/4   | 25-33        | 11                    | 35                  | 41.9                | 50               | HX-SS.G1-1/4   |
| G1-1/2   | 32-38        | 12                    | 37                  | 47.8                | 55/56            | HX-SS.G1-1/2   |
| G2       | 37-44        | 14                    | 38                  | 59.6                | 65               | HX-SS.G2       |
| G2-1/2   | 42-52        | 16                    | 42                  | 75.1                | 75/80            | HX-SS.G2-1/2   |
| G3       | 65-70        | 18                    | 45                  | 88                  | 94               | HX-SS.G3       |
|          |              |                       |                     |                     |                  |                |
| NPT1/4   | 3-6.5        | 7                     | 19                  | 13.6                | 14/16            | HX-SS.NPT1/4   |
| NPT3/8   | 4-8          | 8                     | 21                  | 17.0                | 18               | HX-SS.NPT3/8   |
| NPT1/2   | 6-12         | 8                     | 23.5                | 21.2                | 22               | HX-SS.NPT1/2   |
| NPT3/4   | 13-18        | 9                     | 26                  | 26.5                | 30               | HX-SS.NPT3/4   |
| NPT1     | 18-25        | 10                    | 33                  | 33.2                | 40               | HX-SS.NPT1     |
| NPT1-1/4 | 22-32        | 11                    | 37.5                | 41.9                | 50               | HX-SS.NPT1 1/4 |
| NPT1-1/2 | 30-38        | 12                    | 38.5                | 48.0                | 55               | HX-SS.NPT1 1/2 |
| NPT2     | 37-44        | 14                    | 40                  | 60.0                | 65               | HX-SS.NPT2     |
| NPT2-1/2 | 42-52        | 16                    | 40                  | 72.6                | 75/80            | HX-SS.NPT2-1/2 |
| NPT3     | 55-61        | 18                    | 41                  | 88.6                | 94               | HX-SS.NPT3     |

注: NPT 型号 标配不带螺母, 可选  
 Note: NPT models come standard without nuts and are optional



不锈钢电缆接头系列 Stainless Steel Cable Gland Series

# 金属双锁紧电缆接头

Metal Cable Gland-Double Lock Type



M

CE ROHS IP68 REACH

材质: 镀镍黄铜

夹紧爪: 尼龙塑料 PA66, UL94-V2

密封件: 三元乙丙、硅橡胶等

防水圈: 三元乙丙、硅橡胶等

防水等级: IP68-10 巴压力

工作温度: 静态: -40°C到 100°C, 短时间达 120°C

动态: -20°C到 80°C, 短时间达 100°C

应用特点: 适用于对线缆密封, 抗拉有特别要求的场合

Material: Nickel-plated brass

Claw: IPA66 (Nylon), UL94-V2

Hermetic seal: EPDM, Silicone rubber

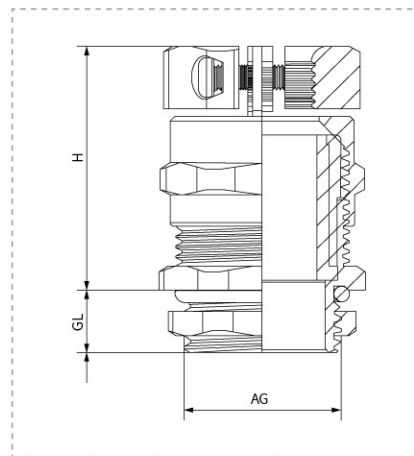
O-Ring: EPDM, Silicone rubber

Protection degree: IP68-10 bar

Temperature: Static state: -40 to 100°C, Short time to 120°C

Dynamic state: -20°C to 80°C, Short time to 100°C

Application features: It is suitable for occasions where there are special requirements for cable sealing and tensile resistance



专利产品 patented product

规格参数 单位: mm

| 规格 Item | 适用范围 $\Phi$ Range | 螺纹长度 GL Thread Length | 螺纹外径 Thread O.D. | 接合长度 H Joint Length | 扳手径 Spanner size | 产品编号 Code    |
|---------|-------------------|-----------------------|------------------|---------------------|------------------|--------------|
| M12×1.5 | 3-6.5             | 6.5                   | 12.0             | 25                  | 14               | HX-NS.M12    |
|         | 4-8               | 8                     | 12.0             | 27                  | 17/14            | HX-NS.M12-8  |
| M16×1.5 | 4-8               | 8                     | 16.0             | 27                  | 18               | HX-NS.M16    |
|         | 5-10              | 8                     | 16.0             | 29                  | 20/18            | HX-NS.M16-10 |
| M18×1.5 | 5-10              | 8                     | 18.0             | 29                  | 20               | HX-NS.M18    |
| M20×1.5 | 6-12              | 8                     | 20.0             | 31                  | 22               | HX-NS.M20    |
|         | 10-14             | 8                     | 20.0             | 31                  | 24/22            | HX-NS.M20-14 |
| M25×1.5 | 10-14             | 9                     | 25.0             | 37                  | 24/27            | HX-NS.M25-14 |
|         | 12-16             | 9                     | 25.0             | 37                  | 27               | HX-NS.M25-16 |
|         | 13-18             | 9                     | 25.0             | 37                  | 30/27            | HX-NS.M25-18 |
| M32×1.5 | 15-22             | 10                    | 32.0             | 42                  | 35               | HX-NS.M32    |
|         | 18-25             | 10                    | 32.0             | 42                  | 40/35            | HX-NS.M32-25 |
| M40×1.5 | 18-25             | 11                    | 40.0             | 48                  | 40/45            | HX-NS.M40-25 |
|         | 22-30             | 11                    | 40.0             | 48                  | 45               | HX-NS.M40-30 |
|         | 25-33             | 11                    | 40.0             | 48                  | 50/45            | HX-NS.M40-33 |
| M50×1.5 | 32-38             | 13                    | 50.0             | 50                  | 57/55            | HX-NS.M50    |
| M63×1.5 | 37-44             | 14                    | 63.0             | 51                  | 64/68            | HX-NS.M63    |
|         | 42-52             | 14                    | 63.0             | 51                  | 78/68            | HX-NS.M63-52 |

可选择 PG/G/NPT 螺纹定制 Customizable PG/G/NPT thread customization

其他规格尺寸可参考 1-4 页 For other specifications and sizes, please refer to pages 1-4



特殊功能防水接头系列 Special Function Cable Gland Series

# 金属防折弯电缆接头

Metal Anti-Bending Cable Gland

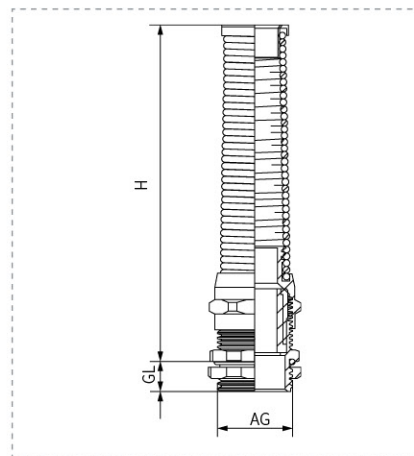


M / PG

CE ROHS IP68 REACH

材质: 镀镍黄铜  
 夹紧爪: 尼龙塑料 PA66, UL94-V2  
 密封件: 三元乙丙、硅橡胶等  
 防水圈: 三元乙丙、硅橡胶等  
 防水等级: IP68-10 巴压力  
 工作温度: -40°C到 100°C, 短时间达 120°C

Material: Nickel-plated brass  
 Claw: IPA66 (Nylon), UL94-V2  
 Hermetic seal: EPDM, Silicone rubber  
 O-Ring: EPDM, Silicone rubber  
 Protection degree: IP68-10 bar  
 Temperature: Min-40°C, Max100°C, Short-time120°C



专利产品 patented product

规格参数 单位: mm

| 规格 Item | 适用范围 Range | 螺纹长度 GL Thread Length | 安装孔径 Mounting hole | 结合长度 H Joint Length | 扳手径 Spanner size | 产品编号 Code    |
|---------|------------|-----------------------|--------------------|---------------------|------------------|--------------|
| M12×1.5 | 3-6.5      | 6.5                   | 12                 | 52                  | 14               | HX-NZ.M12    |
| M16×1.5 | 4-8        | 8                     | 16                 | 65                  | 18               | HX-NZ.M16    |
| M18×1.5 | 5-10       | 8                     | 18                 | 75                  | 20               | HX-NZ.M18    |
| M20×1.5 | 6-12       | 8                     | 20                 | 88                  | 22               | HX-NZ.M20    |
| M22×1.5 | 10-14      | 8                     | 22                 | 96                  | 24               | HX-NZ.M22    |
| M25×1.5 | 13-18      | 9                     | 25                 | 110                 | 30/27            | HX-NZ.M25    |
| M30×1.5 | 13-18      | 9                     | 25                 | 110                 | 30/32            | HX-NZ.M30    |
| PG7     | 3-6.5      | 6.5                   | 12.5               | 52                  | 14/15            | HX-NZ.PG7    |
| PG9     | 4-8        | 8                     | 15.2               | 65                  | 17/18            | HX-NZ.PG9    |
| PG11    | 5-10       | 8                     | 18.6               | 75                  | 20/21            | HX-NZ.PG11   |
| PG13.5  | 6-12       | 8                     | 20.4               | 88                  | 22/23            | HX-NZ.PG13.5 |
| PG16    | 10-14      | 8                     | 22.5               | 96                  | 24/25            | HX-NZ.PG16   |
| PG21    | 13-18      | 9                     | 28.3               | 110                 | 30               | HX-NZ.PG21   |

其他规格尺寸可参考 1-4 页  
 For other specifications and sizes, please refer to pages 1-4



特殊功能防水接头系列 Special Function Cable Gland Series

# 尼龙防折弯电缆接头

Nylon Anti-Bending Cable Gland



M

CE ROHS IP68 REACH

材质: PA66

密封件: 三元乙丙、硅橡胶等

防水圈: 三元乙丙、硅橡胶等

防水等级: IP68

工作温度: -40°C到 100°C, 短时间达 120°C

颜色定制: 灰色、黑色其他颜色可以定制

Material: PA66

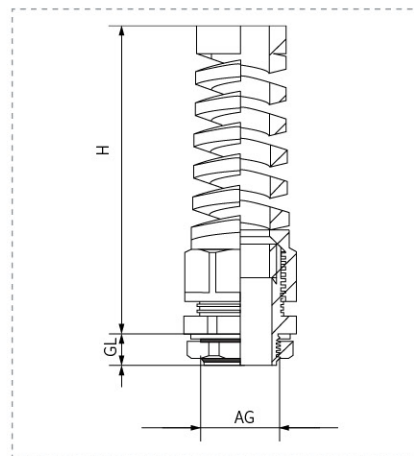
Hermetic seal: EPDM、Silicone rubber

O-Ring: EPDM、Silicone rubber

Protection degree: IP68

Temperature: Min-40°C ,Max100°C ,Short-time120°C

Color: Grey, Black, other color customized



专利产品 patented product

规格参数 单位: mm

| 规格 Item | 适用范围 Range | 螺纹长度 GL Thread Length | 安装孔径 Mountinghole | 接合长度 H Joint Length | 扳手径 Spanner size | 产品编号 Code         |
|---------|------------|-----------------------|-------------------|---------------------|------------------|-------------------|
| M12×1.5 | 3-6.5      | 8                     | 12                | 58                  | 16               | HX-NLZ.M12-6.5B   |
| M16×1.5 | 4-8        | 8                     | 16                | 73                  | 19               | HX-NLZ.M16-8B     |
| M18×1.5 | 5-10       | 8                     | 18                | 73                  | 22               | HX-NLZ.M18-10B    |
| M20×1.5 | 6-12       | 9                     | 20                | 80                  | 24               | HX-NLZ.M20-12B    |
| M22×1.5 | 10-14      | 10                    | 22                | 90                  | 27               | HX-NLZ.M22-14B    |
| M25×1.5 | 13-18      | 10                    | 25                | 105                 | 33               | HX-NLZ.M25-18B    |
| M27×1.5 | 13-18      | 10                    | 27                | 105                 | 33               | HX-NLZ.M27-18B    |
| PG7     | 3-6.5      | 8                     | 12.5              | 58                  | 16               | HX-NLZ.PG7-6.5B   |
| PG9     | 4-8        | 8                     | 15.2              | 73                  | 19               | HX-NLZ.PG9-8B     |
| PG11    | 5-10       | 8                     | 18.6              | 73                  | 22               | HX-NLZ.PG11-10B   |
| PG13.5  | 6-12       | 9                     | 20.4              | 80                  | 24               | HX-NLZ.PG13.5-12B |
| PG16    | 10-14      | 10                    | 22.5              | 90                  | 27               | HX-NLZ.PG16-14B   |
| PG21    | 13-18      | 10                    | 28.3              | 105                 | 33               | HX-NLZ.PG21-18B   |



特殊功能防水接头系列 Special Function Cable Gland Series

# 透气型电缆接头

Cable Gland-Air Permeable Type

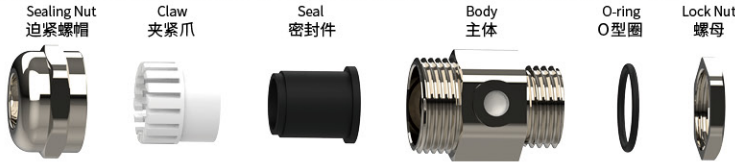
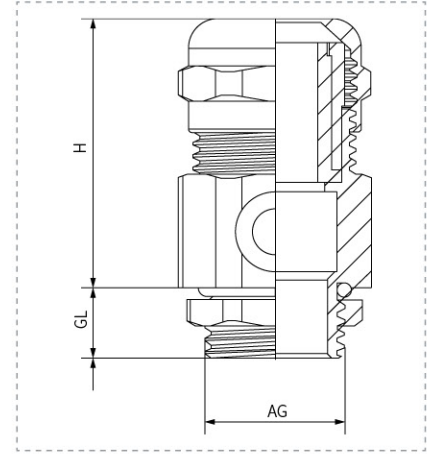


M

CE ROHS IP68 REACH

材质: 镀镍黄铜  
 夹紧爪: 尼龙塑料 PA66, UL94-V2  
 密封件: 三元乙丙  
 防护等级: 在规定电缆外径内并使用合适 O 形密封圈  
 防护等级可以达到 IP68, 防水深度  
 达到 3m-5m  
 工作温度: 40°C~100°C, 短时间内可达到 120°C  
 散热透气: 2400ml/s/ m<sup>2</sup> @0.02bar  
 进水压力: >5bar

Material: Nickel-plated brass  
 Plastic Claw: PA66 (Nylon), UL94-V2  
 Seal: EPDM  
 Protection degree: In the specified cable outer diameter and the  
 appropriate o-ring Protection degree can reach  
 IP68, the waterproof depth reaches 3m-5m  
 Temperatur: 40°C ~ 100°C, can reach 120°C in a short time  
 Heat dissipation permeability: 2400ml/s/ m<sup>2</sup> @0.02bar  
 Water inlet pressure: >5bar



专利产品 patented product

规格参数 单位: mm

| 规格 Item | 适用范围 Range | 螺纹长度 GL | 螺纹外径 Thread O.D. | 接合长度 H Joint Length | 扳手尺寸 Spanner size | 产品编号 Code      |
|---------|------------|---------|------------------|---------------------|-------------------|----------------|
| M12×1.5 | 3-6.5      | 8       | 12.0             | 27                  | 18/14             | HX-NF.M12      |
|         | 4-8        | 8       | 12.0             | 27                  | 18/14             | HX-NF.M12-8    |
| M16×1.5 | 3-6        | 8       | 16.0             | 27                  | 18                | HX-NF.M16-(6)  |
|         | 4-8        | 8       | 16.0             | 27                  | 18                | HX-NF.M16      |
| M18×1.5 | 5-10       | 8       | 16.0             | 27                  | 20/18             | HX-NF.M16-10   |
|         | 5-10       | 8       | 18.0             | 29                  | 20                | HX-NF.M18      |
| M20×1.5 | 5-10       | 8       | 20.0             | 32                  | 22                | HX-NF.M20-(10) |
|         | 6-12       | 8       | 20.0             | 32                  | 22                | HX-NF.M20      |
| M25×1.5 | 10-14      | 8       | 20.0             | 32                  | 24/22             | HX-NF.M20-12   |
|         | 8-12       | 9       | 25.0             | 35                  | 24/27             | HX-NF.M25-(12) |
|         | 10-14      | 9       | 25.0             | 35                  | 24/27             | HX-NF.M25-14   |
|         | 12-16      | 9       | 25.0             | 35                  | 27                | HX-NF.M25-16   |
|         | 13-18      | 9       | 25.0             | 35                  | 30/27             | HX-NF.M25-18   |
| M32×1.5 | 13-18      | 10      | 32.0             | 54                  | 35                | HX-NF.M32-(18) |
|         | 15-22      | 10      | 32.0             | 54                  | 35                | HX-NF.M32      |
|         | 18-25      | 10      | 32.0             | 54                  | 40/35             | HX-NF.M32-25   |
| M40×1.5 | 18-25      | 11      | 40.0             | 46                  | 40/45             | HX-NF.M40-25   |
|         | 22-30      | 11      | 40.0             | 50                  | 45                | HX-NF.M40-30   |
|         | 25-33      | 11      | 40.0             | 52                  | 50/45             | HX-NF.M40-33   |
| M50×1.5 | 32-38      | 13      | 50.0             | 55                  | 57/55             | HX-NF.M50      |
| M63×1.5 | 37-44      | 14      | 63.0             | 55                  | 64/68             | HX-NF.M63      |
|         | 42-52      | 14      | 63.0             | 55                  | 78/68             | HX-NF.M63-52   |

可选择 PG/G/NPT 螺纹定制  
 Customizable PG/G/NPT thread



特殊功能防水接头系列 Special Function Cable Gland Series



# 金属透气阀

Metal Vent Plug



M

CE ROHS IP68 REACH

材质: 黄铜镀镍  
颜色: 金属色  
耐温性: -40°C ~ +150°C  
透湿性: >5000g/24H.M2  
耐精水压: ≥ 100mbar for 30min  
产品特性: 防尘, 疏水, 透气, 散热, 防油

透气性: ≥ 1500ml/min/@70mbar

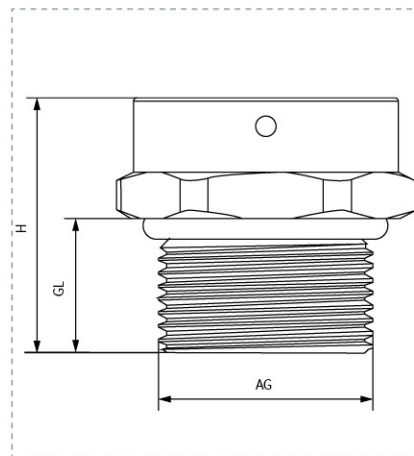
功能:

- 1: 防水防尘
- 2: 通风口。铜厂和长期保护内部设备运行在恶劣的环境
- 3: 散热, 更换或辅助散热片, 以降低车内温度。
- 4: 延长产品使用寿命

Material: Nickel-plated brass  
Color: Metallic color  
Temperature resistance: -40°C ~ +150°C  
Moisture permeability: >5000g/24H.M2  
Resistant to fine water pressure: ≥ 100mbar for 30min  
Product characteristics: Dustproof, hydrophobic, breathable, heat dissipation, oil proof  
Air permeability: ≥ 1500ml/min/@70mbar

Function:

- 1: Waterproof, dustproof
- 2: Vent, copper factory and protect equipment operating under terrible environment.
- 3: Cooling, replace or assist heat sink, to reduce temperature of car.
- 4: Extend the service life of products.



## 规格参数 单位: mm

| 规格<br>Item | 透气量<br>Breathability | 螺纹长度 GL<br>Thread Length | 总长度 H<br>Overall length | 螺纹直径 AG<br>Thread O.D. | 扳手径<br>Spanner size | 产品编号<br>Code  |
|------------|----------------------|--------------------------|-------------------------|------------------------|---------------------|---------------|
| M5×0.8     | ≥ 300ml/min/@70mbar  | 5                        | 13                      | 5                      | 8                   | HX-BF.M5      |
| M5×0.8     | ≥ 300ml/min/@70mbar  | 7                        | 15                      | 5                      | 10                  | HX-BF.M5 L7   |
| M6×1.0     | ≥ 300ml/min/@70mbar  | 7                        | 15                      | 6                      | 10                  | HX-BF.M6      |
| M8×1.0     | ≥ 800ml/min/@70mbar  | 7                        | 12                      | 8                      | 12                  | HX-BF.M8      |
| M8×1.25    | ≥ 800ml/min/@70mbar  | 7                        | 15.5                    | 8                      | 12                  | HX-BF.M8×1.25 |
| M10×0.75   | ≥ 1200ml/min/@70mbar | 8                        | 17                      | 10                     | 14                  | HX-BF.M10     |
| M10×1.5    | ≥ 1200ml/min/@70mbar | 8                        | 17                      | 10                     | 14                  | HX-BF.M10×1.5 |
| M12×1.0    | ≥ 1500ml/min/@70mbar | 8.5                      | 17.5                    | 12                     | 16                  | HX-BF.M12     |
| M12×1.5    | ≥ 1500ml/min/@70mbar | 8.5                      | 17.5                    | 12                     | 16                  | HX-BF.M12×1.5 |
| M16×1.5    | ≥ 1700ml/min/@70mbar | 10                       | 19                      | 16                     | 20                  | HX-BF.M16     |
| M18×1.5    | ≥ 2300ml/min/@70mbar | 10                       | 19                      | 28                     | 22                  | HX-BF.M16     |
| M20×1.5    | ≥ 2300ml/min/@70mbar | 10                       | 19                      | 20                     | 22                  | HX-BF.M20     |

其他样式可支持来电咨询  
Other styles support call consultation



Special Function Cable Gland Series

# 金属透气阀

Metal Vent Plug

M

CE ROHS IP68 REACH

材质: 黄铜镀镍

颜色: 金属色

耐温性: -40°C ~ +150°C

透湿性: >5000g/24H.M2

耐精水压:  $\geq 100\text{mbar}$  for 30min

产品特性: 防尘, 疏水, 透气, 散热, 防油

透气性:  $\geq 1.2\text{L}/\text{min}/\text{cm}^2@70\text{mbar}$  (可定制)

功能:

1: 防水防尘

2: 通风口。铜厂和长期保护内部设备运行在恶劣的环境

3: 散热, 更换或辅助散热片, 以降低车内温度。

4: 延长产品使用寿命

Material: Nickel-plated brass

Color: Metallic color

Temperature resistance: -40°C ~ +150°C

Moisture permeability: >5000g/24H.M2

Resistant to fine water pressure:  $\geq 100\text{mbar}$  for 30min

Product characteristics: Dustproof, hydrophobic, breathable, heat dissipation, oil proof

Air permeability:  $\geq 1.2\text{L}/\text{min}/\text{cm}^2@70\text{mbar}$  (customizable)

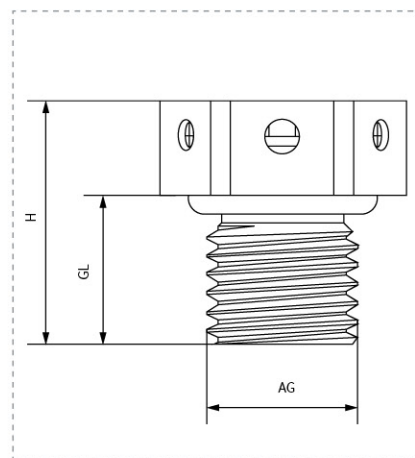
Function:

1: Waterproof, dustproof

2: Vent, copper factory and protect equipment operating under terrible environment.

3: Cooling, replace or assist heat sink, to reduce temperature of car.

4: Extend the service life of products.



## 规格参数 单位: mm

| 规格<br>Item | 透气量<br>Breathability                           | 螺纹长度 GL<br>Thread Length | 总长度 H<br>Overall length | 螺纹直径 AG<br>Thread O.D. | 扳手径<br>Spanner size | 产品编号<br>Code    |
|------------|--|--------------------------|-------------------------|------------------------|---------------------|-----------------|
| M5×0.8     | $\geq 200\text{ml}/\text{min}/@70\text{mbar}$  | 5                        | 10                      | 5                      | 8                   | HX-BF.M5-T      |
| M6×1.0     | $\geq 200\text{ml}/\text{min}/@70\text{mbar}$  | 5                        | 10                      | 6                      | 8                   | HX-BF.M6-T      |
| M8×1.0     | $\geq 500\text{ml}/\text{min}/@70\text{mbar}$  | 7                        | 12                      | 8                      | 12                  | HX-BF.M8-T      |
| M8×1.25    | $\geq 500\text{ml}/\text{min}/@70\text{mbar}$  | 7                        | 12                      | 8                      | 12                  | HX-BF.M8×1.25-T |
| M10×1.5    | $\geq 500\text{ml}/\text{min}/@70\text{mbar}$  | 8                        | 13                      | 10                     | 14                  | HX-BF.M10-T     |
| M12×1.0    | $\geq 1500\text{ml}/\text{min}/@70\text{mbar}$ | 8                        | 13                      | 12                     | 16                  | HX-BF.M12-T     |
| M12×1.5    | $\geq 1500\text{ml}/\text{min}/@70\text{mbar}$ | 10                       | 15                      | 12                     | 16                  | HX-BF.M12×1.5-T |
| M16×1.5    | $\geq 1700\text{ml}/\text{min}/@70\text{mbar}$ | 10                       | 15                      | 16                     | 20                  | HX-BF.M16-T     |
| M20×1.5    | $\geq 2300\text{ml}/\text{min}/@70\text{mbar}$ | 10                       | 15                      | 20                     | 24                  | HX-BF.M20-T     |

其他样式可支持来电咨询

Other styles support call consultation



# 不锈钢透气阀

Stainless Steel Vent Plug



M/G/NPT

CE ROHS IP68 REACH

材质: 不锈钢 304

颜色: 金属色

耐温性: -40°C ~ +150°C

透湿性: >5000g/24H.M2

耐精水压: ≥ 100mbar for 30min

产品特性: 防尘, 疏水, 透气, 散热, 防油

透气性: ≥ 1.2L/mim/cm<sup>2</sup>@70mbar(可定制)

功能:

1: 防水防尘

2: 通风口。铜厂和长期保护内部设备运行在恶劣的环境

3: 散热, 更换或辅助散热片, 以降低车内温度。

4: 延长产品使用寿命

Material: Stainless steel 304

Color: Metallic color

Temperature resistance: -40°C ~ +150°C

Moisture permeability: >5000g/24H.M2

Resistant to fine water pressure: ≥ 100mbar for 30min

Product characteristics: Dustproof, hydrophobic, breathable, heat dissipation, oil proof

Air permeability: ≥ 1.2L/mim/c m@70mbar (customizable)

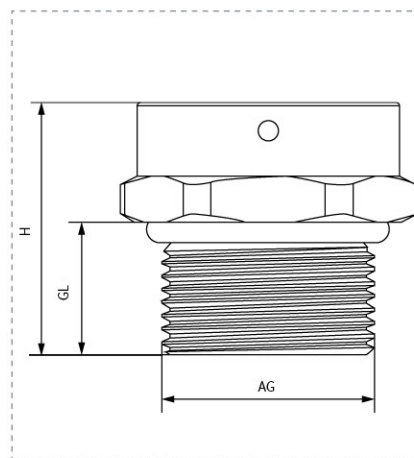
Function:

1: Waterproof, dustproof

2: Vent, copper factory and protect equipment operating under terrible environment.

3: Cooling, replace or assist heat sink, to reduce temperature of car.

4: Extend the service life of products.



## 规格参数 单位: mm

| 规格 Item  | 透气量 Breathability    | 螺纹长度 GL Thread Length | 总长度 H Overall length | 螺纹直径 AG Thread O.D. | 扳手径 Spanner size | 产品编号 Code         |
|----------|----------------------|-----------------------|----------------------|---------------------|------------------|-------------------|
| M4×0.8   | ≥ 200ml/min/@70mbar  | 6                     | 13                   | 4                   | 8                | HX-BF.M4 SS       |
| M5×0.8   | ≥ 300ml/min/@70mbar  | 7                     | 15                   | 5                   | 10               | HX-BF.M5 SS       |
| M6×1.0   | ≥ 300ml/min/@70mbar  | 7                     | 15                   | 6                   | 10               | HX-BF.M6 SS       |
| M8×1.0   | ≥ 900ml/min/@70mbar  | 7                     | 16                   | 8                   | 14               | HX-BF.M8 SS       |
| M8×1.25  | ≥ 900ml/min/@70mbar  | 7                     | 16                   | 8                   | 14               | HX-BF.M8x1.25 SS  |
| M10×1.0  | ≥ 1500ml/min/@70mbar | 8                     | 16                   | 10                  | 17               | HX-BF.M10 SS      |
| M10×1.5  | ≥ 1500ml/min/@70mbar | 8                     | 16                   | 10                  | 17               | HX-BF.M10x1.5 SS  |
| M12×1.5  | ≥ 1500ml/min/@70mbar | 6                     | 14                   | 12                  | 17               | HX-BF.M12 L6 SS   |
| M12×1.5  | ≥ 1500ml/min/@70mbar | 7                     | 15                   | 12                  | 17               | HX-BF.M12 L7 SS   |
| M12×1.5  | ≥ 1500ml/min/@70mbar | 10                    | 18                   | 12                  | 17               | HX-BF.M12 L10 SS  |
| M12×1.75 | ≥ 1500ml/min/@70mbar | 7                     | 15                   | 12                  | 17               | HX-BF.M12x1.75 SS |
| M12×1.75 | ≥ 1500ml/min/@70mbar | 10                    | 18                   | 12                  | 17               | HX-BF.M12x1.75 SS |
| M16×1.5  | ≥ 2300ml/min/@70mbar | 10                    | 19.5                 | 16                  | 22               | HX-BF.M16 SS      |
| M20×1.5  | ≥ 2300ml/min/@70mbar | 10                    | 19.5                 | 20                  | 22               | HX-BF.M20 SS      |
| M22×1.5  | ≥ 2300ml/min/@70mbar | 10                    | 23                   | 22                  | 28               | HX-BF.M22 SS      |
| M24×1.5  | ≥ 2500ml/min/@70mbar | 10                    | 21                   | 24                  | 30               | HX-BF.M24 SS      |
| M25×1.5  | ≥ 2500ml/min/@70mbar | 10                    | 21                   | 25                  | 30               | HX-BF.M25 SS      |
| M40×1.5  | ≥ 2500ml/min/@70mbar | 15                    | 30                   | 40                  | 45               | HX-BF.M40 SS      |
| G1/8     | ≥ 1500ml/min/@70mbar | 8                     | 16                   | 18.5                | 17               | HX-BF.G1/8 SS     |
| G1/4     | ≥ 1500ml/min/@70mbar | 7                     | 15                   | 18.5                | 17               | HX-BF.G1/4 SS     |
| G3/8     | ≥ 2300ml/min/@70mbar | 10                    | 19.5                 | 24                  | 22               | HX-BF.G3/8 SS     |
| G1/2     | ≥ 2300ml/min/@70mbar | 10                    | 19.5                 | 24                  | 22               | HX-BF.G1/2 SS     |
| G3/4     | ≥ 3000ml/min/@70mbar | 10                    | 23                   | 35.5                | 32               | HX-BF.G3/4 SS     |
| NPT1/8   | ≥ 1500ml/min/@70mbar | 8                     | 16                   | 18.5                | 17               | HX-BF.NPT1/8 SS   |
| NPT1/4   | ≥ 1500ml/min/@70mbar | 7                     | 15                   | 18.5                | 17               | HX-BF.NPT1/4 SS   |
| NPT3/8   | ≥ 2300ml/min/@70mbar | 10                    | 19.5                 | 24                  | 22               | HX-BF.NPT3/8 SS   |
| NPT1/2   | ≥ 2300ml/min/@70mbar | 10                    | 19.5                 | 24                  | 22               | HX-BF.NPT1/2 SS   |

其他样式可支持来电咨询  
Other styles support call consultation



Special Function Cable Gland Series

# 不锈钢透气阀

Stainless Steel Vent Plug



M/G/NPT

CE ROHS IP68 REACH

材质: 不锈钢 304

颜色: 金属色

耐温性: -40°C ~ +150°C

透湿性: >5000g/24H.M2

耐精水压:  $\geq 100$ mbar for 30min

产品特性: 防尘, 疏水, 透气, 散热, 防油

透气性:  $\geq 1.2$ L/mim/cm<sup>2</sup>@70mbar( 可定制 )

功能:

1: 防水防尘

2: 通风口。铜厂和长期保护内部设备运行在恶劣的环境

3: 散热, 更换或辅助散热片, 以降低车内温度。

4: 延长产品使用寿命

Material: Stainless steel 304

Color: Metallic color

Temperature resistance: -40°C ~ +150°C

Moisture permeability: >5000g/24H.M2

Resistant to fine water pressure:  $\geq 100$ mbar for 30min

Product characteristics: Dustproof, hydrophobic, breathable, heat dissipation, oil proof

Air permeability:  $\geq 1.2$ L/mim/c m@70mbar (customizable)

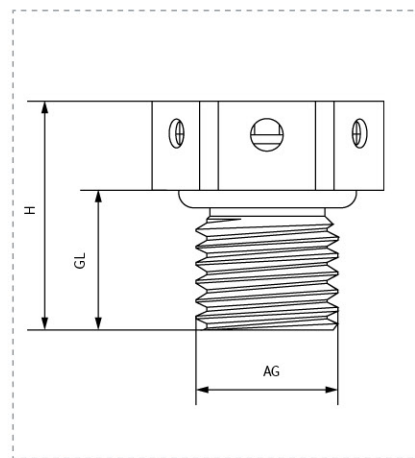
Function:

1: Waterproof, dustproof

2: Vent, copper factory and protect equipment operating under terrible environment.

3: Cooling, replace or assist heat sink, to reduce temperature of car.

4: Extend the service life of products.



## 规格参数 单位: mm

| 规格 Item | 透气量 Breathability          | 螺纹长度 H Thread Length | 接合长度 H Overall length | 螺纹直径 AG Thread O.D. | 扳手径 Spanner size | 产品编号 Code          |
|---------|----------------------------|----------------------|-----------------------|---------------------|------------------|--------------------|
| M5×0.8  | $\geq 200$ ml/min/@70mbar  | 5                    | 9                     | 5                   | 8                | HX-BF.M5-T SS      |
| M6×1.0  | $\geq 200$ ml/min/@70mbar  | 5                    | 9                     | 6                   | 8                | HX-BF.M6-T SS      |
| M8×1.25 | $\geq 500$ ml/min/@70mbar  | 7                    | 12                    | 8                   | 12               | HX-BF.M8x1.25-T SS |
| M10×1.5 | $\geq 500$ ml/min/@70mbar  | 8                    | 13                    | 10                  | 14               | HX-BF.M10x1.5-T SS |
| M12×1.5 | $\geq 1500$ ml/min/@70mbar | 8                    | 13                    | 12                  | 16               | HX-BF.M12-T SS     |
| M16×1.5 | $\geq 1700$ ml/min/@70mbar | 10                   | 15                    | 16                  | 20               | HX-BF.M16-T SS     |
| M20×1.5 | $\geq 2300$ ml/min/@70mbar | 10                   | 15                    | 20                  | 24               | HX-BF.M20-T SS     |

其他样式可支持来电咨询

Other styles support call consultation



特殊功能防水接头系列 Special Function Cable Gland Series

# 尼龙透气阀

Nylon Vent Plug



M

CE ROHS IP68 REACH

材质: PA66  
 颜色: 白、灰、黑  
 耐温性: -40°C ~ +150°C  
 透湿性: >5000g/24H.M2  
 耐精水压:  $\geq 100\text{mbar}$  for 30min  
 产品特性: 防尘, 疏水, 透气, 散热, 防油  
 透气性:  $\geq 1.2\text{L}/\text{min}/\text{cm}^2@70\text{mbar}$  (可定制)

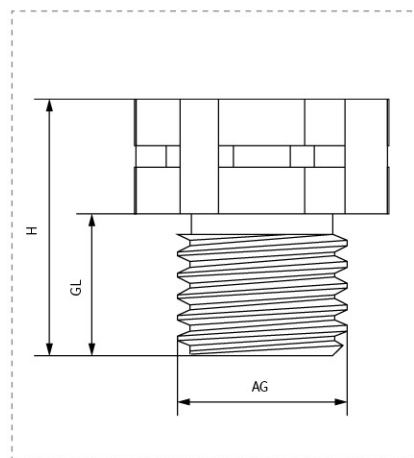
Material: PA66  
 Color: White, Gray, Black  
 Temperature resistance: -40°C ~ +150°C  
 Moisture permeability: >5000g/24H.M2  
 Resistant to fine water pressure:  $\geq 100\text{mbar}$  for 30min  
 Product characteristics: Dustproof, hydrophobic, breathable, heat dissipation, oil proof  
 Air permeability:  $\geq 1.2\text{L}/\text{min}/\text{cm}^2@70\text{mbar}$  (customizable)

功能:

- 1: 防水防尘
- 2: 通风口。铜厂和长期保护内部设备运行在恶劣的环境
- 3: 散热, 更换或辅助散热片, 以降低车内温度。
- 4: 延长产品使用寿命

Function:

- 1: Waterproof, dustproof
- 2: Vent, copper factory and protect equipment operating under terrible environment.
- 3: Cooling, replace or assist heat sink, to reduce temperature of car.
- 4: Extend the service life of products.



## 规格参数 单位: mm

| 规格 Item | 透气量 Breathability                              | 螺纹长度 GL | 总长度 H Overall length | 螺纹直径 Thread diameter | 扳手径 Spanner size | 产品编号 Code |
|---------|--|---------|----------------------|----------------------|------------------|-----------|
| M5×0.8  | $\geq 600\text{ml}/\text{min}/@70\text{mbar}$  | 7       | 13                   | 5                    | 12               | HX-PF.M5  |
| M6×1.0  | $\geq 600\text{ml}/\text{min}/@70\text{mbar}$  | 7       | 13                   | 6                    | 12               | HX-PF.M6  |
| M8×1.0  | $\geq 600\text{ml}/\text{min}/@70\text{mbar}$  | 7       | 12.5                 | 8                    | 12               | HX-PF.M8  |
| M8×1.25 | $\geq 1500\text{ml}/\text{min}/@70\text{mbar}$ | 10      | 18                   | 8                    | 17               | HX-PF.M8  |
| M10×1.5 | $\geq 1500\text{ml}/\text{min}/@70\text{mbar}$ | 10      | 18                   | 10                   | 17               | HX-PF.M10 |
| M12×1.0 | $\geq 1500\text{ml}/\text{min}/@70\text{mbar}$ | 10      | 16                   | 12                   | 16               | HX-PF.M12 |
| M12×1.5 | $\geq 1500\text{ml}/\text{min}/@70\text{mbar}$ | 10      | 16                   | 12                   | 16               | HX-PF.M12 |
| M12×1.5 | $\geq 1500\text{ml}/\text{min}/@70\text{mbar}$ | 10      | 18                   | 12                   | 17               | HX-PF.M12 |
| M16×1.5 | $\geq 4000\text{ml}/\text{min}/@70\text{mbar}$ | 10      | 18                   | 16                   | 22               | HX-PF.M16 |
| M20×1.5 | $\geq 4500\text{ml}/\text{min}/@70\text{mbar}$ | 10      | 18                   | 20                   | 27               | HX-PF.M20 |
| M24×1.5 | $\geq 7000\text{ml}/\text{min}/@70\text{mbar}$ | 15      | 24                   | 24                   | 36               | HX-PF.M24 |
| M32×1.5 | $\geq 8000\text{ml}/\text{min}/@70\text{mbar}$ | 15      | 25                   | 32                   | 45               | HX-PF.M32 |
| M40×1.5 | $\geq 8500\text{ml}/\text{min}/@70\text{mbar}$ | 15mm    | 24mm                 | 40mm                 | 56mm             | HX-PF.M40 |



# 直角 90° 电缆接头

Right angle 90° Cable Gland

M/PG

CE ROHS IP68 REACH

材质: 镀镍黄铜

夹紧爪: 尼龙塑料 PA66, UL94-V2

密封件: 三元乙丙、硅橡胶等

防水圈: 三元乙丙、硅橡胶等

防水等级: IP68-10 巴压力

工作温度: 静态: -40°C 到 100°C, 短时间达 120°C

动态: -20°C 到 80°C, 短时间达 100°C

Material: Nickel-plated brass

Claw: IPA66 (Nylon), UL94-V2

Hermetic seal: EPDM, Silicone rubber

O-Ring: EPDM, Silicone rubber

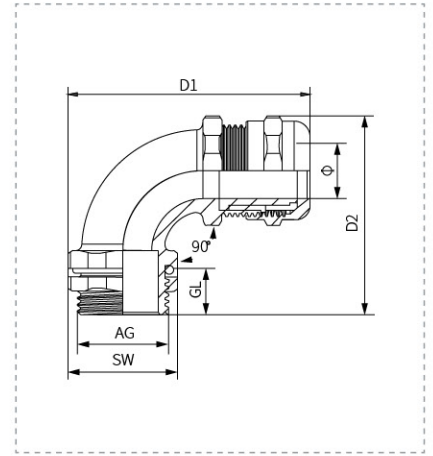
Protection degree: IP68-10 bar

Temperature: Static state: -40 to 100°C, Short time to 120°C

Dynamic state: -20°C to 80°C, Short time to 100°C



- 1: 迫紧螺帽 Sealing Nut
- 2: 夹紧爪 Claw
- 3: 密封件 Seal
- 4: 主体 Body
- 5: O型圈 O-ring
- 6: 螺帽 Lock Nut



规格参数 单位: mm

| 规格<br>Item | 适用范围<br>Range | 螺纹长度 GL<br>Thread Length | 扳手径<br>Spanner size | D1   | D2   | 产品编号<br>Code |
|------------|---------------|--------------------------|---------------------|------|------|--------------|
| M12×1.5    | 4-8           | 10                       | 20/22/14            | 53   | 45   | HX-NW.M12-8  |
| M16×1.5    | 4-8           | 10                       | 20/22/18            | 53   | 44.5 | HX-NW.M16    |
| M20×1.5    | 6-12          | 10                       | 22/25/22            | 55   | 47   | HX-NW.M20    |
| M25×1.5    | 13-18         | 10                       | 30/30/27            | 66   | 54   | HX-NW.M25    |
| M32×1.5    | 15-22         | 12                       | 34/34/35            | 69   | 60   | HX-NW.M32    |
| M40×1.5    | 22-32         | 16                       | 50/55/43            | 106  | 93   | HX-NW.M40    |
| M50×1.5    | 25-32         | 16                       | 50/55/55            | 106  | 92   | HX-NW.M50    |
| M63×1.5    | 37-44         | 18                       | 64/73/68            | 128  | 116  | HX-NW.M63    |
| PG7        | 4-8           | 10                       | 20/22/14            | 52   | 44   | HX-NW.PG7-8  |
| PG9        | 4-8           | 10                       | 20/22/18            | 53   | 45.5 | HX-NW.PG9    |
| PG11       | 5-10          | 10                       | 20/22/20            | 53   | 46.5 | HX-NW.PG11   |
| PG13.5     | 6-12          | 10                       | 22/24/22            | 55   | 47   | HX-NW.PG13.5 |
| PG21       | 13-18         | 12                       | 30/35/31            | 68   | 60   | HX-NW.PG21   |
| PG29       | 18-25         | 15                       | 40/43/40            | 85.5 | 75   | HX-NW.PG29   |
| PG36       | 25-32         | 16                       | 50/55/50            | 105  | 92   | HX-NW.PG36   |
| PG42       | 25-32         | 16                       | 50/55/55            | 106  | 92   | HX-NW.PG42   |
| PG48       | 37-44         | 18                       | 64/73/68            | 128  | 116  | HX-NW.PG48   |

可选择 G / NPT 螺纹

G/NPT threads are available



# 法兰夹紧式密封接头

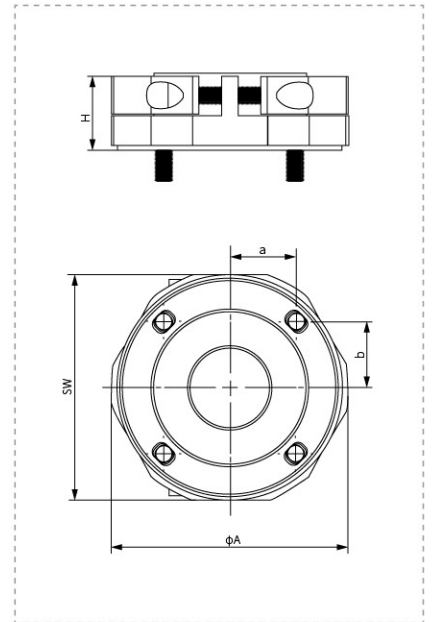
Flange Clamp-on Seal Joints



CE ROHS IP55 REACH

材质: 铝合金  
 表面处理: 硬质阳极氧化  
 温度范围: -40°C ~+150°C  
 阻燃等级: V0  
 防护等级: IP55  
 抗拉力值:  $\geq 200\text{N}$  (静态)  
 适用场合: 高压直流充电桩; 需多次拆装; 无需定制扳手;  
 可定制颜色

Material: Aluminum Alloy  
 Surface Treatment: Hard Anodizing  
 Temperature: -40°C ~+150°C  
 Flammability Rating: V0  
 Ingress Protection: IP55  
 Tensile Strength value:  $\geq 200\text{N}$  (Static)  
 When to use it: High-voltage DC Charging Pile; It needs to be disassembled and assembled several times; No custom wrenches are required; Customized colors are available



Allen socket screws  
内六角螺丝



Lock the male and female pieces  
锁紧公母片



Allen socket screws  
内六角螺丝



Body  
主体



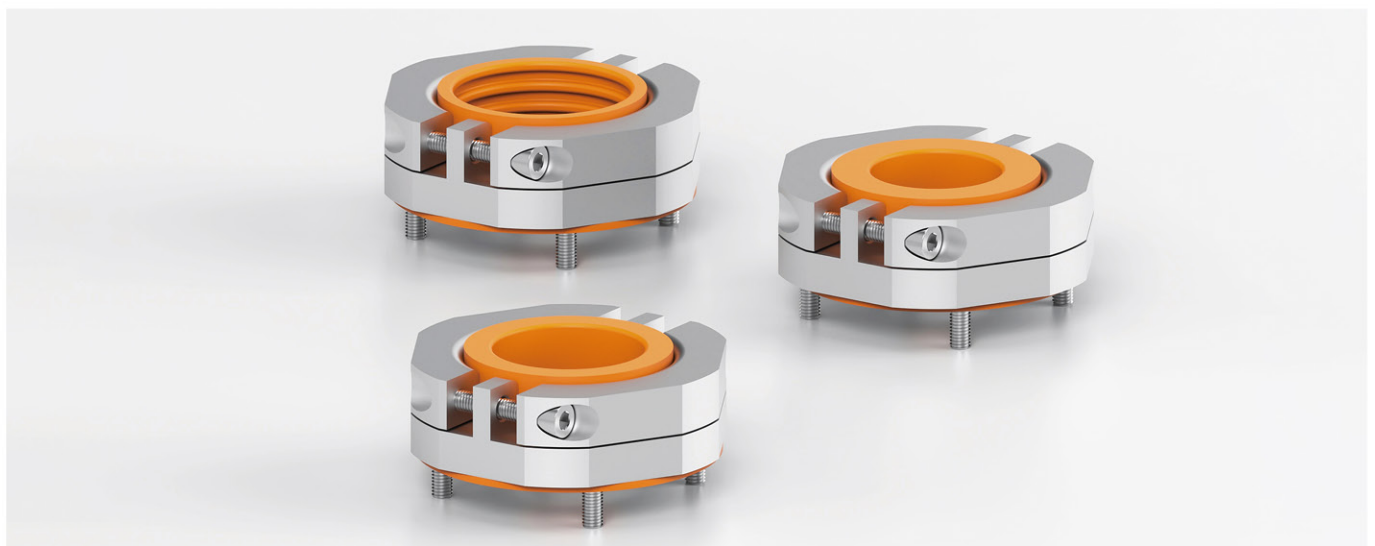
Seal  
密封件



## 规格参数 单位: mm

| 规格 Item        | 电缆外径 mm | 安装孔 a/b mm | 对边 SW/ 对角 Φ A mm | H  | 螺栓规格 M*L    | 螺栓数量 L=30/16 | 产品编号 Code               |
|----------------|---------|------------|------------------|----|-------------|--------------|-------------------------|
| Φ49.5(34-42)-H | 34-42   | 21.5/21.5  | 73/Φ 77          | 24 | M5*30/M5*16 | 2/4          | HX-FL.Φ49.5(34-42)-H    |
| Φ49.5(34-42)-H | 34-42   | 21.5/21.5  | 73/Φ 77          | 24 | M5*30/M5*16 | 2/4          | HX-FL.Φ49.5(34-42)-H(黑) |
| Φ49.5(28-36)-H | 28-36   | 21.5/21.5  | 73/Φ 77          | 24 | M5*30/M5*16 | 2/4          | HX-FL.Φ49.5(28-36)-H    |
| Φ49.5(28-36)-H | 28-36   | 21.5/21.5  | 73/Φ 77          | 24 | M5*30/M5*16 | 2/4          | HX-FL.Φ49.5(28-36)-H(黑) |
| Φ49.5(23-31)-H | 23-31   | 21.5/21.5  | 73/Φ 77          | 24 | M5*30/M5*16 | 2/4          | HX-FL.Φ49.5(23-31)-H    |
| Φ49.5(23-31)-H | 23-31   | 21.5/21.5  | 73/Φ 77          | 24 | M5*30/M5*16 | 2/4          | HX-FL.Φ49.5(23-31)-H(黑) |

螺纹标准: GB/T192-2003 GB/T196-2003  
 Thread standard: GB/T192-2003 GB/T196-2003



特殊功能电缆接头系列 Special function cable connector series

# 尼龙电缆接头

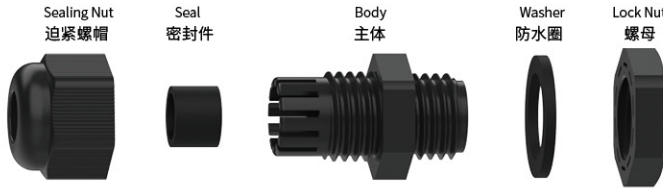
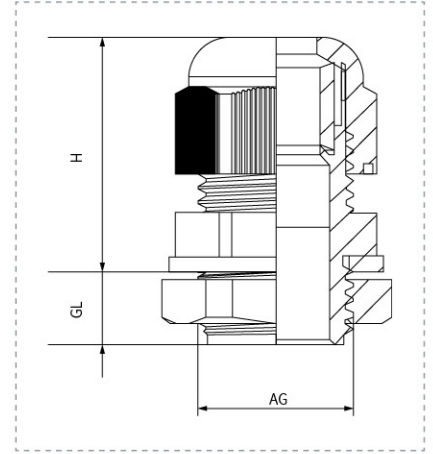
Nylon Cable Gland

M/M-Lengthen

CE ROHS IP68

材质: 尼龙材料 PA66  
 密封件: 三元乙丙、硅橡胶等  
 防水圈: 三元乙丙、硅橡胶等  
 防水等级: IP68  
 工作温度: 静态: -40°C到 100°C, 短时间达 120°C  
 动态: -20°C到 80°C, 短时间达 100°C  
 颜色定制: 灰色、黑色其他颜色可以定制

Material: PA66 (Nylon), UL94-V2  
 Hermetic seal: EPDM, Silicone rubber  
 O-Ring: EPDM, Silicone rubber  
 Protection degree: IP68  
 Temperature: Static state: -40 to 100°C, Short time to 120°C  
 Dynamic state: -20°C to 80°C, Short time to 100°C  
 Color customization: Grey, Black, other color customized



规格参数 单位: mm

| 规格<br>Item | 线径范围<br>Wire range | 螺纹长度<br>GL | 螺纹外径<br>Thread O.D. | 扳手径<br>Spanner size | 产品编号<br>Code |
|------------|--------------------|------------|---------------------|---------------------|--------------|
| M12×1.5    | 3-6.5              | 9          | 12                  | 18/16               | HX-NL.M12    |
|            | 4-8                | 9          | 12                  | 18/16               | HX-NL.M12-8  |
| M16×1.5    | 4-8                | 9          | 16                  | 22/19               | HX-NL.M16    |
|            | 5-10               | 9          | 16                  | 22/19               | HX-NL.M16-10 |
| M18×1.5    | 5-10               | 9          | 18                  | 24/22               | HX-NL.M18    |
| M20×1.5    | 6-11               | 9          | 20                  | 27/24               | HX-NL.M20    |
|            | 10-14              | 9          | 20                  | 27/24               | HX-NL.M20-14 |
| M22×1.5    | 10-14              | 10         | 22                  | 30/27               | HX-NL.M22    |
| M25×1.5    | 12-15              | 10         | 25                  | 31/28               | HX-NL.M25    |
|            | 13-18              | 12         | 25                  | 31/28               | HX-NL.M25-18 |
| M27×1.5    | 13-18              | 12         | 27                  | 35/33               | HX-NL.M27    |
| M30×1.5    | 16-21              | 12         | 30                  | 37/35               | HX-NL.M30    |
| M32×1.5    | 16-21              | 12         | 32                  | 38/35               | HX-NL.M32    |
| M36×1.5    | 18-25              | 12         | 36                  | 45/42               | HX-NL.M36    |
| M40×1.5    | 22-32              | 17         | 40                  | 52/52               | HX-NL.M40    |
| M50×1.5    | 32-38              | 19         | 50                  | 62/58               | HX-NL.M50    |
| M63×1.5    | 37-44              | 19         | 63                  | 72/64               | HX-NL.M63    |





# 尼龙电缆接头

Nylon Cable Gland



PG/PG-Lengthen

CE ROHS IP68

材质: 尼龙材料 PA66

密封件: 三元乙丙、硅橡胶等

防水圈: 三元乙丙、硅橡胶等

防水等级: IP68

工作温度: 静态: -40°C到 100°C, 短时间达 120°C

动态: -20°C到 80°C, 短时间达 100°C

颜色定制: 灰色、黑色其他颜色可以定制

Material: PA66 (Nylon), UL94-V2

Hermetic seal: EPDM, Silicone rubber

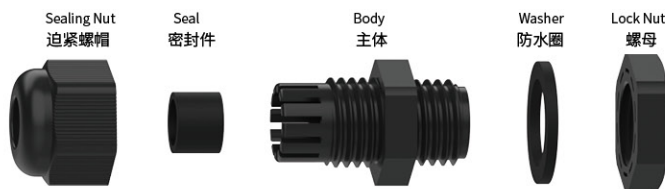
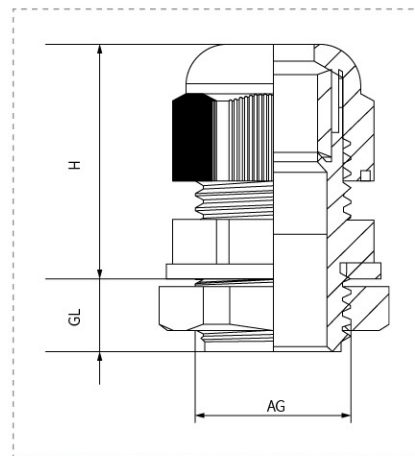
O-Ring: EPDM, Silicone rubber

Protection degree: IP68

Temperature: Static state: -40 to 100°C, Short time to 120°C

Dynamic state: -20°C to 80°C, Short time to 100°C

Color customization: Grey, Black, other color customized



规格参数 单位: mm

| 规格 Item | 适用范围 $\Phi$ Range | 螺纹长度 GL Thread Length | 螺纹外径 AG Thread O.D. | 扳手径 Spanner size | 产品编号 Code     |
|---------|-------------------|-----------------------|---------------------|------------------|---------------|
| PG7     | 3-6.5             | 9                     | 12.5                | 18/16            | HX-NL.PG7     |
| PG9     | 4-8               | 9                     | 15.2                | 22/19            | HX-NL.PG9     |
| PG11    | 5-10              | 9                     | 18.6                | 24/22            | HX-NL.PG11    |
| PG13.5  | 6-11              | 10                    | 20.4                | 27/24            | HX-NL.PG13.5  |
| PG16    | 10-13             | 10                    | 22.5                | 30/27            | HX-NL.PG16    |
| PG21    | 13-18             | 12                    | 28.3                | 35/33            | HX-NL.PG21    |
| PG29    | 18-25             | 12                    | 37.0                | 45/42            | HX-NL.PG29    |
| PG36    | 22-32             | 15                    | 47.0                | 58/52            | HX-NL.PG36    |
| PG42    | 32-38             | 18                    | 54.0                | 62/58            | HX-NL.PG42    |
| PG48    | 37-44             | 18                    | 59.3                | 70/64            | HX-NL.PG48    |
| PG7     | 3-6.5             | 15                    | 12.5                | 18/16            | HX-NL.PG7L    |
| PG9     | 4-8               | 15                    | 15.2                | 22/19            | HX-NL.PG9L    |
| PG11    | 5-10              | 15                    | 18.6                | 24/22            | HX-NL.PG11L   |
| PG13.5  | 6-11              | 15                    | 20.4                | 27/24            | HX-NL.PG13.5L |
| PG16    | 10-13             | 15                    | 22.5                | 30/27            | HX-NL.PG16L   |
| PG21    | 13-18             | 15                    | 28.3                | 35/33            | HX-NL.PG21L   |
| PG29    | 18-25             | 15                    | 37.0                | 45/42            | HX-NL.PG29L   |
| PG36    | 22-32             | 18                    | 47.0                | 58/52            | HX-NL.PG36L   |
| PG42    | 32-38             | 20                    | 54.0                | 62/58            | HX-NL.PG42L   |
| PG48    | 37-44             | 20                    | 59.3                | 70/64            | HX-NL.PG48L   |



尼龙电缆接头系列 Nylon Cable Gland Series

# 尼龙加强型电缆接头

Nylon Reinforced Cable Gland

M

CE ROHS IP68

材质: 尼龙材料 PA66

密封件: 三元乙丙、硅橡胶等

防水圈: 三元乙丙、硅橡胶等

防水等级: IP68

工作温度: 静态: -40°C到 100°C, 短时间达 120°C

动态: -20°C到 80°C, 短时间达 100°C

颜色定制: 灰色、黑色其他颜色可以定制

Material: PA66 (Nylon), UL94-V2

Hermetic seal: EPDM, Silicone rubber

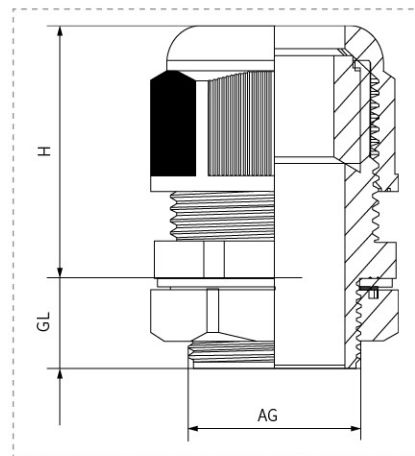
O-Ring: EPDM, Silicone rubber

Protection degree: IP68

Temperature: Static state: -40 to 100°C, Short time to 120°C

Dynamic state: -20°C to 80°C, Short time to 100°C

Color customization: Grey, Black, other color customized



规格参数 单位: mm

| 螺牙规格<br>Screw spec | 电缆范围<br>Φ | 螺纹外径<br>AG | 螺纹长度<br>GL | 扳手径<br>A&F | 编号<br>Code      |
|--------------------|-----------|------------|------------|------------|-----------------|
| M10×1.5            | 2.5-6     | 10         | 8          | 12/15      | HX-NL.M10-6B    |
| M12×1.5            | 3-6.5     | 12         | 8          | 18/15      | HX-NL.M12S-6.5B |
|                    | 4-8       | 12         | 9          | 18/19      | HX-NL.M12-8B    |
| M16×1.5            | 4-8       | 16         | 9          | 22/19      | HX-NL.M16S-8B   |
|                    | 6-10      | 16         | 9          | 22/22      | HX-NL.M16-10B   |
|                    | 4-7       | 16         | 9          | 22/22      | HX-NL.M16-(7)B  |
| M18×1.5            | 6-10      | 18         | 9          | 24/22      | HX-NL.M18-10B   |
|                    | 4-7       | 18         | 9          | 24/22      | HX-NL.M18-7B    |
| M20×1.5            | 6-12      | 20         | 10         | 27/24      | HX-NL.M20S-12B  |
|                    | 5-9       | 20         | 10         | 27/24      | HX-NL.M20S-(9)B |
|                    | 8.5-14    | 20         | 10         | 27/27      | HX-NL.M20-14B   |
|                    | 6-12      | 20         | 10         | 27/27      | HX-NL.M20-(12)B |
| M22×1.5            | 9-14      | 22         | 10         | 29/27      | HX-NL.M22-14B   |
|                    | 6-11      | 22         | 10         | 29/27      | HX-NL.M22-(11)B |
| M25×1.5            | 8.5-14    | 25         | 12         | 33/27      | HX-NL.M25S-14B  |
|                    | 6-10.5    | 25         | 12         | 33/27      | HX-NL.M25-10.5B |
|                    | 6-11      | 25         | 12         | 33/27      | HX-NL.M25-11B   |
|                    | 12.5-18   | 25         | 12         | 33/33      | HX-NL.M25-18B   |
|                    | 7-13      | 25         | 12         | 33/33      | HX-NL.M25-13B   |
| M32×1.5            | 18-25     | 32         | 12.5       | 41/41      | HX-NL.M32-25B   |
|                    | 15-22     | 32         | 12.5       | 41/41      | HX-NL.M32-22B   |
| M40×1.5            | 24-32     | 40         | 16         | 50/50      | HX-NL.M40-32B   |
|                    | 18-25     | 40         | 16         | 50/50      | HX-NL.M40-25B   |
| M50×1.5            | 31-41     | 50         | 20         | 62/62      | HX-NL.M50-41B   |
| M63×1.5            | 35-45     | 63         | 20         | 75/65      | HX-NL.M63-45B   |



# 尼龙加强型电缆接头

Nylon Reinforced Cable Gland



PG

CE ROHS IP68

材质: 尼龙材料 PA66

密封件: 三元乙丙、硅橡胶等

防水圈: 三元乙丙、硅橡胶等

防水等级: IP68

工作温度: 静态: -40°C到 100°C, 短时间达 120°C

动态: -20°C到 80°C, 短时间达 100°C

颜色定制: 灰色、黑色其他颜色可以定制

Material: PA66 (Nylon), UL94-V2

Hermetic seal: EPDM, Silicone rubber

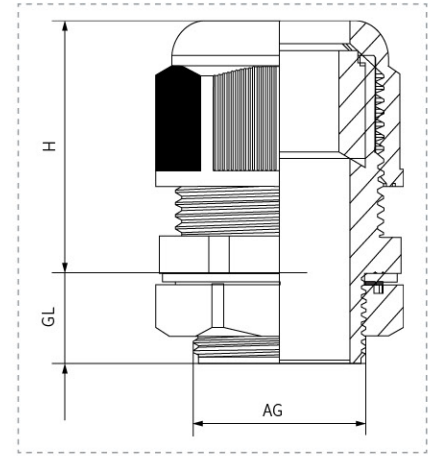
O-Ring: EPDM, Silicone rubber

Protection degree: IP68

Temperature: Static state: -40 to 100°C, Short time to 120°C

Dynamic state: -20°C to 80°C, Short time to 100°C

Color customization: Grey, Black, other color customized



规格参数 单位: mm

| 螺牙规格<br>Screw spec | 电缆范围<br>Φ | 螺纹长度<br>GL | 螺纹外径<br>AG | 扳手径<br>A&F | 编号<br>Code       | 螺牙规格<br>Screw spec | 电缆范围<br>Φ | 螺纹长度<br>GL | 螺纹外径<br>AG | 扳手径<br>A&F | 编号<br>Code         |
|--------------------|-----------|------------|------------|------------|------------------|--------------------|-----------|------------|------------|------------|--------------------|
| PG7                | 3-6.5     | 8          | 12.5       | 17/15      | HX-NL.PG7S-6.5B  | G3/8               | 6-10      | 10         | 16.662     | 22/22      | HX-NL.G3/8-10B     |
|                    | 4-8       | 9          | 12.5       | 17/19      | HX-NL.PG7-8B     |                    | 4-8       | 10         | 16.662     | 22/22      | HX-NL.G3/8-8B      |
| PG9                | 4-8       | 9          | 15.2       | 22/19      | HX-NL.PG9-8B     | G1/2               | 6-12      | 10         | 20.955     | 27/24      | HX-NL.G1/2-12B     |
|                    | 2-5       | 9          | 15.2       | 22/19      | HX-NL.PG9-5B     |                    | 5-10      | 10         | 20.955     | 27/24      | HX-NL.G1/2-10B     |
| PG11               | 6-10      | 9          | 18.6       | 24/22      | HX-NL.PG11-10B   | G3/4               | 12.5-18   | 12         | 26.441     | 33/33      | HX-NL.G3/4-18B     |
|                    | 4-8       | 9          | 18.6       | 24/22      | HX-NL.PG11-8B    |                    | 7-13      | 12         | 26.441     | 33/33      | HX-NL.G3/4-13B     |
| PG13.5             | 6-12      | 10         | 20.4       | 27/24      | HX-NL.PG13.5-12B | G1                 | 18-25     | 13.5       | 33.2       | 42/41      | HX-NL.G1-25B       |
|                    | 5-10      | 10         | 20.4       | 27/24      | HX-NL.PG13.5-10B |                    | 15-22     | 13.5       | 33.2       | 42/41      | HX-NL.G1-22B       |
| PG16               | 10-14     | 10.8       | 22.5       | 30/27      | HX-NL.PG16-14B   | G1-1/4             | 24-32     | 15         | 41.9       | 51/50      | HX-NL.G1-1/4B      |
|                    | 5-10      | 10.8       | 22.5       | 30/27      | HX-NL.PG16-10B   |                    | 22-29     | 15         | 41.9       | 51/50      | HX-NL.G1-1/4-29B   |
| PG19               | 8.5-14    | 11         | 23.5       | 30/27      | HX-NL.PG19-14B   | NPT3/8             | 6-10      | 10         | 16.662     | 22         | HX-NL.NPT3/8-10B   |
|                    | 6-11      | 11         | 22.5       | 30/27      | HX-NL.PG19-11B   |                    | 4-8       | 10         | 16.662     | 22         | HX-NL.NPT3/8-8B    |
| PG21               | 12.5-18   | 12         | 28.3       | 36/33      | HX-NL.PG21-18B   | NPT1/2             | 6-12      | 10         | 20.955     | 27         | HX-NL.NPT1/2-12B   |
|                    | 7-13      | 12         | 28.3       | 36/33      | HX-NL.PG21-13B   |                    | 5-10      | 10         | 20.955     | 27         | HX-NL.NPT1/2-10B   |
| PG25               | 14-20     | 13         | 30         | 36/37      | HX-NL.PG25-20B   | NPT3/4             | 12.5-18   | 15         | 26.441     | 33         | HX-NL.NPT3/4-18B   |
|                    | 18-25     | 15         | 37         | 46/41      | HX-NL.PG25-25B   |                    | 7-13      | 15         | 26.441     | 33         | HX-NL.NPT3/4-13B   |
| PG29               | 15-22     | 15         | 37         | 46/41      | HX-NL.PG29-22B   | NPT1               | 18-25     | 17         | 33.5       | 41         | HX-NL.NPT1-25B     |
|                    | 24-32     | 15         | 47         | 57/50      | HX-NL.PG29-32B   |                    | 15-22     | 17         | 33.5       | 41         | HX-NL.NPT1-22B     |
| PG36               | 22-29     | 15         | 47         | 57/50      | HX-NL.PG36-29B   | NPT1-1/4           | 24-32     | 17         | 42         | 50         | HX-NL.NPT1-1/4-32B |
|                    | 31-41     | 15.5       | 54         | 64/62      | HX-NL.PG42-41B   |                    | 22-29     | 17         | 42         | 50         | HX-NL.NPT1-1/4-29B |
| PG42               | 22-28     | 15.5       | 54         | 64/62      | HX-NL.PG42-28B   |                    |           |            |            |            |                    |
|                    | 35-45     | 15.5       | 59.3       | 70/65      | HX-NL.PG48-45B   |                    |           |            |            |            |                    |



尼龙电缆接头系列 Nylon Cable Gland Series

# 尼龙分体式电缆接头

Nylon Split Cable Gland



M / PG

CE ROHS IP68

材质: 尼龙材料 PA66

夹紧爪: 尼龙塑料 PA66 UL94-V2

密封件: 三元乙丙、硅橡胶等

防水圈: 三元乙丙、硅橡胶等

防水等级: IP68

工作温度: 静态: -40°C到 100°C, 短时间达 120°C

动态: -20°C到 80°C, 短时间达 100°C

颜色定制: 灰色、黑色其他颜色可以定制

Material: PA66 (Nylon), UL94-V2

Material: PA66 (Nylon), UL94-V2

Hermetic seal: EPDM, Silicone rubber

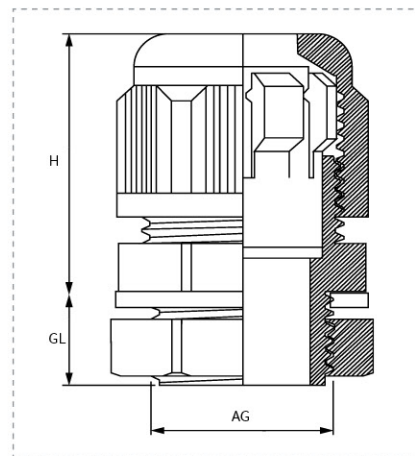
O-Ring: EPDM, Silicone rubber

Protection degree: IP68

Temperature: Static state: -40 to 100°C, Short time to 120°C

Dynamic state: -20°C to 80°C, Short time to 100°C

Color customization: White, Black, other color customized



规格参数 单位: mm

| 规格<br>Item | 电缆范围<br>Φ | 螺纹长度<br>GL | 螺纹外径<br>AG | 扳手径<br>A&F | 产品编号<br>Code   | 规格<br>Item | 电缆范围<br>Φ | 螺纹长度<br>GL | 螺纹外径<br>AG | 扳手径<br>A&F | 产品编号<br>Code     |
|------------|-----------|------------|------------|------------|----------------|------------|-----------|------------|------------|------------|------------------|
| M12×1.5    | 3-5.5     | 8.5        | 12         | 18/19      | HX-NL.MG12-5.5 | PG7        | 3-5.5     | 8          | 12.5       | 17/19      | HX-NL.MPG7-5.5   |
|            | 4-8       | 8.5        | 12         | 18/19      | HX-NL.MG12-8   |            | 4-8       | 8          | 12.5       | 17/19      | HX-NL.MPG7-8     |
| M16×1.5    | 4-8       | 10         | 16         | 22/19      | HX-NL.MG16S-8  | PG9        | 3-5.5     | 8.2        | 15.2       | 22/19      | HX-NL.MPG9-5.5   |
|            | 6-10      | 10         | 16         | 22/22      | HX-NL.MG16-10  |            | 4-8       | 8.2        | 15.2       | 22/19      | HX-NL.MPG9-8     |
| M20×1.5    | 6-12      | 10         | 20         | 27/24      | HX-NL.MG20S-12 | PG11       | 4-7       | 10         | 18.6       | 24/22      | HX-NL.MPG11-7    |
|            | 9-14      | 10         | 20         | 27/27      | HX-NL.MG20-14  |            | 6-10      | 10         | 18.6       | 24/22      | HX-NL.MPG11-10   |
| M22×1.5    | 6-11      | 10         | 22         | 27/27      | HX-NL.MG22-11  | PG13.5     | 7-12      | 10         | 20.4       | 27/24      | HX-NL.MPG13.5-12 |
|            | 10-14     | 10         | 22         | 27/27      | HX-NL.MG22-14  |            | 10-14     | 10         | 20.4       | 27/24      | HX-NL.MPG13.5-14 |
|            | 10-14     | 10         | 25         | 33/27      | HX-NL.MG25S-14 |            |           |            |            |            |                  |
| M25×1.5    | 12-16     | 10         | 25         | 33/33      | HX-NL.MG25-16  | PG16       | 6-11      | 10         | 22.5       | 27/27      | HX-NL.PG16-11    |
|            | 13-18     | 10         | 25         | 33/33      | HX-NL.MG25-18  |            | 10-14     | 10         | 22.5       | 27/27      | HX-NL.PG16-14    |
|            | 15-22     | 15         | 32         | 41/42      | HX-NL.MG32-22  |            |           |            |            |            |                  |
| M32×1.5    | 18-25     | 15         | 32         | 41/42      | HX-NL.MG32-25  | PG21       | 10-16     | 12         | 28.3       | 36/33      | HX-NL.MPG21-16   |
|            | 20-26     | 20         | 40         | 50/52      | HX-NL.MG40-26  |            | 13-18     | 12         | 28.3       | 36/33      | HX-NL.MPG21-18   |
| M40×1.5    | 24-31     | 20         | 40         | 50/52      | HX-NL.MG40-31  | PG29       | 15-22     | 12         | 37         | 46/41      | HX-NL.MPG29-22   |
|            | 25-33     | 22         | 50         | 62/62      | HX-NL.MG50-33  |            | 18-25     | 12         | 37         | 46/41      | HX-NL.MPG29-25   |
| M50×1.5    | 31-41     | 22         | 50         | 62/62      | HX-NL.MG50-41  | PG36       | 20-26     | 14         | 47         | 57/52      | HX-NL.MPG36-26   |
|            | 39-46     | 25         | 63         | 75/75      | HX-NL.MG63-46  |            | 24-31     | 14         | 47         | 57/52      | HX-NL.MPG36-31   |
| M63×1.5    | 44-51     | 25         | 63         | 75/75      | HX-NL.MG63-51  | PG42       | 25-33     | 15         | 54         | 64/62      | HX-NL.MPG42-33   |
|            | 50-60     | 25         | 75         | 92/92      | HX-NL.MG75-60  |            | 31-41     | 15         | 54         | 64/62      | HX-NL.MPG42-41   |
| M75×2.0    | 56-66     | 25         | 75         | 92/92      | HX-NL.MG75-66  |            |           |            |            |            |                  |
|            | 58-68     | 25         | 90         | 110/110    | HX-NL.MG90-68  |            |           |            |            |            |                  |
| M90×2.0    | 66-77     | 25         | 90         | 110/110    | HX-NL.MG90-77  |            |           |            |            |            |                  |



# 尼龙波纹管接头

Powerful Watertight Corrugated Tubing Fittings



M / PG / G

CE ROHS

材质: 尼龙材料 PA66

密封件: 三元乙丙、硅橡胶等

工作温度: 静态: -40°C到 100°C, 短时间达 120°C

动态: -20°C到 80°C, 短时间达 100°C

颜色定制: 灰色、黑色其他颜色可以定制

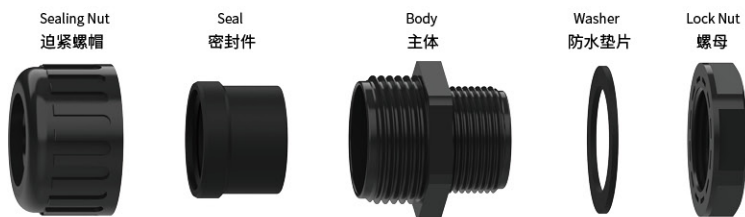
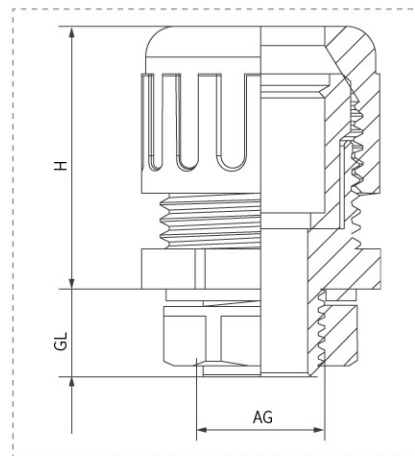
Material: PA66 (Nylon), UL94-V2

Hermetic seal: EPDM, Silicone rubber

Temperature: Static state: -40 to 100°C, Short time to 120°C

Dynamic state: -20°C to 80°C, Short time to 100°C

Color customization: Grey, Black, other color customized



## 规格参数 单位: mm

| 规格 Item   | 适用软管 Conduit size | 螺纹外径 Thread O.D. | 螺纹长度 GL | 包装 Pack | 产品编号 Code       | 规格 Item  | 适用软管 Conduit size | 螺纹外径 Thread O.D. | 螺纹长度 GL | 包装 Pack             | 产品编号 Code          |
|-----------|-------------------|------------------|---------|---------|-----------------|----------|-------------------|------------------|---------|---------------------|--------------------|
| M12 × 1.5 | AD10.0            | 12               | 9       | 50      | HX-NLT.M12-10.0 | PG7      | AD10.0            | 12.5             | 9       | 50                  | HX-NLT.PG7-10.0    |
| M16 × 1.5 | AD13.0            | 16               | 15      | 50      | HX-NLT.M16-13.0 | PG9      |                   | 15.2             | 9       | 50                  | HX-NLT.PG9-10.0    |
| M16 × 1.5 | AD15.8            | 16               | 15      | 50      | HX-NLT.M16-15.8 | PG11     | AD13.0            | 18.6             | 10      | 50                  | HX-NLT.PG11-13.0   |
| M20 × 1.5 |                   | 20               | 15      | 50      | HX-NLT.M20-15.8 | PG13.5   | AD15.8            | 20.4             | 10      | 50                  | HX-NLT.PG13.5-15.8 |
| M22 × 1.5 |                   | 22               | 15      | 50      | HX-NLT.M22-15.8 | PG16     |                   | 22.5             | 10.8    | 50                  | HX-NLT.PG16-15.8   |
| M25 × 1.5 |                   | 25               | 15      | 50      | HX-NLT.M25-15.8 | PG13.5   | AD18.5            | 20.4             | 10      | 50                  | HX-NLT.PG13.5-18.5 |
| M16 × 1.5 | AD18.5            | 16               | 15      | 50      | HX-NLT.M16-18.5 | PG16     | AD21.2            | 22.5             | 10.8    | 50                  | HX-NLT.PG16-18.5   |
| M20 × 1.5 |                   | 20               | 15      | 50      | HX-NLT.M20-18.5 | PG16     |                   | AD21.2           | 22.5    | 13                  | 50                 |
| M22 × 1.5 |                   | 22               | 15      | 50      | HX-NLT.M22-18.5 | PG21     | AD28.5            | 28.3             | 13      | 50                  | HX-NLT.PG21-21.2   |
| M20 × 1.5 |                   | 20               | 15      | 50      | HX-NLT.M20-21.2 | PG21     |                   | AD28.5           | 28.3    | 13                  | 50                 |
| M25 × 1.5 | AD21.2            | 25               | 15      | 50      | HX-NLT.M25-21.2 | PG29     | AD34.5            | 37               | 13      | 20                  | HX-NLT.PG29-34.5   |
| M25 × 1.5 | AD25.0            | 25               | 15      | 50      | HX-NLT.M25-25.0 | PG36     | AD42.5            | 47               | 13      | 10                  | HX-NLT.PG36-42.5   |
| M25 × 1.5 | AD26.2            | 25               | 15      | 50      | HX-NLT.M25-26.2 | PG48     | AD54.5            | 59.3             | 16      | 10                  | HX-NLT.PG48-54.5   |
| M25 × 1.5 | AD28.5            | 25               | 15      | 50      | HX-NLT.M25-28.5 | PG48     | AD60              | 59.3             | 16      | 10                  | HX-NLT.PG48-60     |
| M32 × 1.5 | AD34.5            | 32               | 15      | 20      | HX-NLT.M32-34.5 | G(PF)1/4 | AD10.0            | 13.1             | 9       | 50                  | HX-NLT.PF1/4-10.0  |
| M50 × 1.5 | AD48              | 50               | 15      | 10      | HX-NLT.M50-48   | G(PF)3/8 | AD13.0            | 16.6             | 15      | 50                  | HX-NLT.PF3/8-13.0  |
| M50 × 1.5 | AD54.5            | 50               | 22      | 10      | HX-NLT.M50-54.5 | G(PF)1/2 | AD15.8            | 20.9             | 15      | 50                  | HX-NLT.PF1/2-15.8  |
| M63 × 1.5 |                   | 63               | 25      | 10      | HX-NLT.M63-54.5 | G(PF)1/2 | AD18.5            | 20.9             | 15      | 50                  | HX-NLT.PF1/2-18.5  |
| M50 × 1.5 | AD60              | 50               | 22      | 10      | HX-NLT.M50-60   | G(PF)1/2 | AD21.2            | 20.9             | 15      | 50                  | HX-NLT.PF1/2-21.2  |
| M63 × 1.5 |                   | 63               | 25      | 10      | HX-NLT.M50-60   | G(PF)3/4 |                   | AD21.2           | 26.4    | 15                  | 50                 |
|           |                   |                  |         |         |                 | G(PF)3/4 | AD28.5            | 26.4             | 15      | 50                  | HX-NLT.PF3/4-28.5  |
|           |                   |                  |         |         |                 | G(PF)1   | AD34.5            | 33.2             | 15      | 20                  | HX-NLT.PF1-34.5    |
|           |                   |                  |         |         | G(PF)1 1/4      | AD42.5   | 41.9              | 15               | 10      | HX-NLT.PF1 1/4-42.5 |                    |
|           |                   |                  |         |         | G(PF)1 1/2      | AD54.5   | 48                | 15               | 10      | HX-NLT.PF1 1/2-54.5 |                    |
|           |                   |                  |         |         | G(PF)2          |          | AD54.5            | 60               | 15      | 10                  | HX-NLT.PF2-54.5    |
|           |                   |                  |         |         | G(PF)1 1/2      | AD60     | 48                | 15               | 10      | HX-NLT.PF1 1/2-60   |                    |
|           |                   |                  |         |         | G(PF)2          |          | AD60              | 60               | 15      | 10                  | HX-NLT.PF2-60      |



# 尼龙软管快速接头

Nylon Union for Flexible Pipe



M / PG / G

CE ROHS

材质: 尼龙材料 PA66

工作温度: 静态: -40°C到 100°C, 短时间达 120°C

动态: -20°C到 80°C, 短时间达 100°C

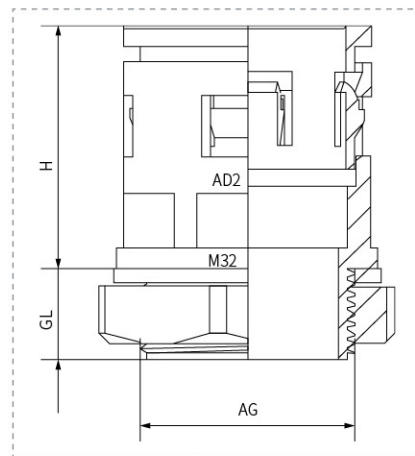
颜色定制: 灰色、黑色其他颜色可以定制

Material: PA66 (Nylon), UL94-V2

Temperature: Static state: -40 to 100°C, Short time to 120°C

Dynamic state: -20°C to 80°C, Short time to 100°C

Color customization: Grey, Black, other color customized



规格参数 单位: mm

| 规格 Item   | 适用软管 Conduit size | 螺纹外径 AG Thread O.D. | 螺纹长度 GL Thread Length | 产品编号 Code        | 规格 Item     | 适用软管 Conduit size | 螺纹外径 AG Thread O.D. | 螺纹长度 GL Thread Length | 产品编号 Code           |
|-----------|-------------------|---------------------|-----------------------|------------------|-------------|-------------------|---------------------|-----------------------|---------------------|
| M12 x 1.5 | AD10.0            | 12                  | 8.5                   | HX-NLK.M12 -10.0 | PG7         | AD10.0            | 12.4                | 8.5                   | HX-NLK.PG7 -10.0    |
| M12 x 1.5 | AD13.0            | 12                  | 10                    | HX-NLK.M12 -13.0 | PG9         | AD13.0            | 15.2                | 10                    | HX-NLK.PG9 -13.0    |
| M16 x 1.5 |                   | 16                  | 10                    | HX-NLK.M16 -13.0 | PG11        | AD15.8            | 18.4                | 12.5                  | HX-NLK.PG11 -15.8   |
| M18 x 1.5 | AD15.8            | 18                  | 10                    | HX-NLK.M18 -13.0 | PG13.5      | AD18.5            | 20.4                | 12.5                  | HX-NLK.PG13.5 -18.5 |
| M16 x 1.5 |                   | 16                  | 10                    | HX-NLK.M16 -15.8 | PG16        | AD21.2            | 22.5                | 13                    | HX-NLK.PG16 -21.2   |
| M18 x 1.5 |                   | 18                  | 12.5                  | HX-NLK.M18 -15.8 | PG21        | AD28.5            | 28.3                | 13                    | HX-NLK.PG21 -28.5   |
| M20 x 1.5 | AD18.5            | 20                  | 12.5                  | HX-NLK.M20 -15.8 | PG29        | AD34.5            | 37                  | 14                    | HX-NLK.PG29 -34.5   |
| M20 x 1.5 |                   | 20                  | 12.5                  | HX-NLK.M20 -18.5 | PG36        | AD42.5            | 47                  | 15                    | HX-NLK.PG36 -42.5   |
| M22 x 1.5 | AD21.2            | 22                  | 12.5                  | HX-NLK.M22 -18.5 | PG42        | AD54.5            | 54                  | 16                    | HX-NLK.PG42 -54.5   |
| M20 x 1.5 |                   | 20                  | 13                    | HX-NLK.M20 -21.2 | PG48        |                   | 59.3                | 16                    | HX-NLK.PG48 -54.5   |
| M24 x 1.5 |                   | 24                  | 13                    | HX-NLK.M24 -21.2 |             |                   |                     |                       |                     |
| M25 x 1.5 | AD25.0            | 25                  | 13                    | HX-NLK.M25 -21.2 | G(PF) 1/4   | AD10.0            | 13.1                | 8.5                   | HX-NLK.G1/4 -10.0   |
| M25 x 1.5 |                   | 25                  | 13                    | HX-NLK.M25 -25.0 | G(PF) 3/8   | AD15.8            | 16.6                | 12.5                  | HX-NLK.G3/8 -15.8   |
| M25 x 1.5 | AD28.5            | 25                  | 13                    | HX-NLK.M25 -28.5 | G(PF) 1/2   |                   | 20.9                | 12.5                  | HX-NLK.G1/2 -15.8   |
| M27 x 1.5 |                   | 27                  | 13                    | HX-NLK.M27 -28.5 | G(PF) 1/2   | AD18.5            | 20.9                | 12.5                  | HX-NLK.G1/2 -18.5   |
| M30 x 1.5 |                   | 30                  | 13                    | HX-NLK.M30 -28.5 | G(PF) 1/2   | AD21.2            | 20.9                | 13                    | HX-NLK.G1/2 -21.2   |
| M32 x 1.5 | AD34.5            | 32                  | 13                    | HX-NLK.M32 -28.5 | G(PF) 3/4   | AD28.5            | 26.4                | 13                    | HX-NLK.G3/4 -21.2   |
| M32 x 1.5 |                   | 32                  | 14                    | HX-NLK.M32 -34.5 | G(PF) 3/4   | AD34.5            | 26.4                | 13                    | HX-NLK.G3/4 -28.5   |
| M36 x 1.5 | AD42.5            | 36                  | 14                    | HX-NLK.M36 -34.5 | G(PF) 1     | AD42.5            | 33.2                | 14                    | HX-NLK.G1 -34.5     |
| M40 x 1.5 |                   | 40                  | 14                    | HX-NLK.M40 -34.5 | G(PF) 1 1/4 | AD54.5            | 41.9                | 15                    | HX-NLK.G1 1/4 -42.5 |
| M40 x 1.5 | AD54.5            | 40                  | 15                    | HX-NLK.M40 -42.5 | G(PF) 1/2   | 48                | 15                  | HX-NLK.G1 1/2 -42.5   |                     |
| M48 x 1.5 |                   | 48                  | 15                    | HX-NLK.M48 -42.5 | G(PF) 1 1/2 | 48                | 16                  | HX-NLK.G1 1/2 -54.5   |                     |
| M50 x 1.5 | AD54.5            | 50                  | 16                    | HX-NLK.M50 -54.5 | G(PF) 2     | 60                | 16                  | HX-NLK.G2 -54.5       |                     |
| M63 x 1.5 |                   | 60                  | 16                    | HX-NLK.M63 -54.5 |             |                   |                     |                       |                     |



尼龙软管接头系列 Nylon Hose Fitting Series

# 折弯软管快速接头

Right Angle Union For Flexible Pipe



M / PG

CE ROHS

材质: 尼龙材料 PA66

工作温度: 静态:-40°C到 100°C, 短时间达 120°C

动态:-20°C到 80°C, 短时间达 100°C

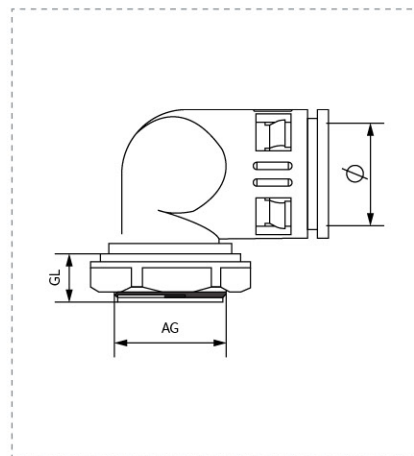
颜色定制: 灰色、黑色其他颜色可以定制

Material: PA66 (Nylon), UL94-V2

Temperature: Static state:-40 to 100°C, Short time to 120°C

Dynamic state:-20°C to 80°C, Short time to 100°C

Color customization: Grey, Black, other color customized



规格参数 单位: mm

| 规格 Item | 适用软管 Conduit size | 螺纹外径 AG Thread O.D. | 螺纹长度 GL Thread Length | 产品编号 Code            |
|---------|-------------------|---------------------|-----------------------|----------------------|
| M12×1.5 | AD10.0            | 12                  | 10                    | HX-NLF.M12-AD10      |
| M16×1.5 | AD13.0            | 16                  | 11.5                  | HX-NLF.M16-AD13      |
| M16×1.5 | AD15.8            | 16                  | 12                    | HX-NLF.M16-AD15.8    |
| M20×1.5 | AD18.5            | 20                  | 12                    | HX-NLF.M20-AD18.5    |
| M20×1.5 | AD21.2            | 20                  | 13                    | HX-NLF.M20-AD21.2    |
| M25×1.5 | AD25.0            | 25                  | 13                    | HX-NLF.M25-AD25      |
| M25×1.5 | AD28.5            | 25                  | 13                    | HX-NLF.M25-AD28.5    |
| M32×1.5 | AD34.5            | 32                  | 15                    | HX-NLF.M32-AD34.5    |
| M40×1.5 | AD42.5            | 40                  | 15                    | HX-NLF.M40-AD42.5    |
| M50×1.5 | AD54.5            | 50                  | 15                    | HX-NLF.M50-AD54.5    |
| PG7     | AD10.0            | 12.3                | 10                    | HX-NLF.PG7-AD10      |
| PG9     | AD13.0            | 15                  | 11.5                  | HX-NLF.PG9-AD13      |
| PG11    | AD15.8            | 18.4                | 12                    | HX-NLF.PG11-AD15.8   |
| PG13.5  | AD18.5            | 20.4                | 12                    | HX-NLF.PG13.5-AD18.5 |
| PG16    | AD21.2            | 22.3                | 13                    | HX-NLF.PG16-AD21.2   |
| PG19    | AD25.0            | 25                  | 13                    | HX-NLF.PG19-AD25     |
| PG21    | AD28.5            | 28                  | 13                    | HX-NLF.PG21-AD28.5   |
| PG29    | AD34.5            | 36.7                | 15                    | HX-NLF.PG29-AD34.5   |
| PG36    | AD42.5            | 46.7                | 15                    | HX-NLF.PG36-AD42.5   |
| PG48    | AD54.5            | 59                  | 16                    | HX-NLF.PG48-AD54.5   |



尼龙软管管接头系列 Nylon Hose Fitting Series

# 船用填料函 -JIS 系列

Marine Cable Gland-JIS standard Type

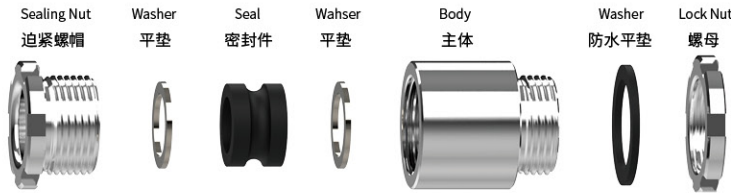
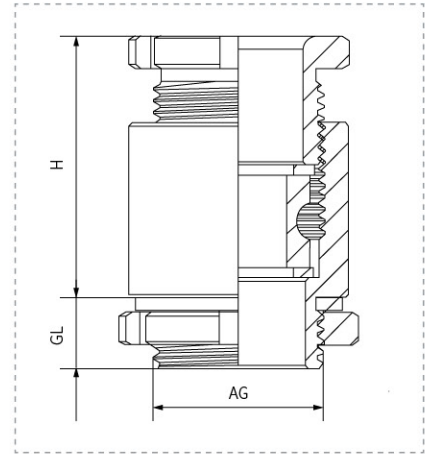


JIS

CE ROHS IP68 REACH

材质: 镀铬黄铜  
 密封件: 三元乙丙、硅橡胶等  
 防水圈: 三元乙丙、硅橡胶等  
 垫圈: 镀铬铁环  
 防水等级: IP54  
 工作温度: 静态: -40°C到 100°C, 短时间达 120°C  
 动态: -20°C到 80°C, 短时间达 100°C

Material: Chromium-plated brass  
 Hermetic seal: EPDM, Silicone rubber  
 O-Ring: EPDM, Silicone rubber  
 Metal Washer: Nickel-plated hoop  
 Protection degree: IP54  
 Temperature: Static state: -40 to 100°C, Short time to 120°C  
 Dynamic state: -20°C to 80°C, Short time to 100°C



规格参数 单位: mm

| 规格 Item | 螺纹 Thread | 适用范围 Range | 螺纹长度 GL | 螺纹外径 AG | 扳手径 Spanner size | 产品编号 Code | 规格 Item | 螺纹 Thread | 适用范围 Range | 螺纹长度 GL | 螺纹外径 AG | 扳手径 Spanner size | 产品编号 Code |
|---------|-----------|------------|---------|---------|------------------|-----------|---------|-----------|------------|---------|---------|------------------|-----------|
| JIS10   | 3/8       | 6-7        | 11      | 16.6    | Φ22/28           | HX-JIS10A | JIS45   | 2         | 34-36      | 12      | 59.6    | Φ68/76           | HX-JIS45A |
|         |           | 7-8        |         |         |                  | HX-JIS10B |         |           | HX-JIS45B  |         |         |                  |           |
| JIS15   | 1/2       | 8-9        | 11      | 20.9    | Φ28/31           | HX-JIS15A | JIS50   | 2         | 36-40      | 12      | 59.6    | Φ68/76           | HX-JIS45C |
|         |           | 9-10       |         |         |                  | HX-JIS15B |         |           | HX-JIS50A  |         |         |                  |           |
|         |           | 9-11       |         |         |                  | HX-JIS15C |         |           | HX-JIS50B  |         |         |                  |           |
|         |           | 11-12      |         |         |                  | HX-JIS20A |         |           | HX-JIS50C  |         |         |                  |           |
| JIS20   | 3/4       | 12-13      | 11      | 26.4    | Φ34/37           | HX-JIS20B | JIS55   | 2-1/2     | 44-46      | 12      | 75.1    | Φ84/94           | HX-JIS55A |
|         |           | 12-15      |         |         |                  | HX-JIS20C |         |           | HX-JIS55B  |         |         |                  |           |
|         |           | 15-16      |         |         |                  | HX-JIS25A |         |           | HX-JIS55C  |         |         |                  |           |
| JIS25   | 1         | 16-18      | 11      | 33.2    | Φ41/45           | HX-JIS25B | JIS60   | 2-1/2     | 50-52      | 12      | 75.1    | Φ84/94           | HX-JIS60A |
|         |           | 16-20      |         |         |                  | HX-JIS25C |         |           | HX-JIS60B  |         |         |                  |           |
|         |           | 20-22      |         |         |                  | HX-JIS30A |         |           | HX-JIS60C  |         |         |                  |           |
| JIS30   | 1-1/4     | 22-24      | 12      | 41.9    | Φ49/56           | HX-JIS30B | JIS65   | 2-1/2     | 52-56      | 14      | 88.0    | Φ98/112          | HX-JIS65A |
|         |           | 22-26      |         |         |                  | HX-JIS30C |         |           | HX-JIS65B  |         |         |                  |           |
|         |           | 26-28      |         |         |                  | HX-JIS35A |         |           | HX-JIS70A  |         |         |                  |           |
| JIS35   | 1-1/2     | 28-30      | 12      | 47.8    | Φ56/62           | HX-JIS35B | JIS70   | 3         | 60-62      | 14      | 88.0    | Φ98/112          | HX-JIS70B |
|         |           | 26-30      |         |         |                  | HX-JIS35C |         |           | HX-JIS75A  |         |         |                  |           |
|         |           | 30-32      |         |         |                  | HX-JIS40A |         |           | HX-JIS75B  |         |         |                  |           |
| JIS40   | 1-1/2     | 32-34      | 12      | 47.8    | Φ56/62           | HX-JIS40B | JIS75   | 3         | 64-66      | 14      | 88.0    | Φ98/112          | HX-JIS75A |
|         |           | 30-34      |         |         |                  | HX-JIS40C |         |           | HX-JIS75B  |         |         |                  |           |
|         |           | 30-34      |         |         |                  | HX-JIS40C |         |           |            |         |         |                  |           |



填料函系列 Marine Cable Gland Series



# 船用填料函 -TJ 系列

Marine Cable Gland-TJ Clamping Type



TJ

CE ROHS IP68 REACH

材质: 镀铬黄铜

密封件: 三元乙丙、硅橡胶等

防水圈: 三元乙丙、硅橡胶等

垫圈: 镀锌铁环

防水等级: IP54

工作温度: 静态: -40°C到 100°C, 短时间达 120°C

动态: -20°C到 80°C, 短时间达 100°C

Material: Chromium-plated brass

Hermetic seal: EPDM, Silicone rubber

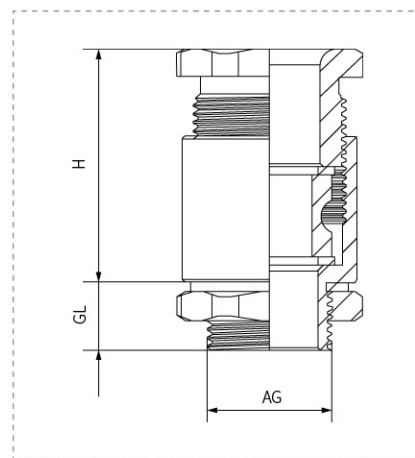
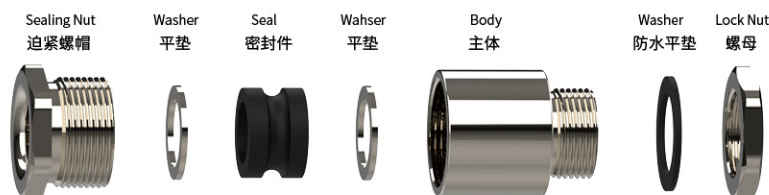
O-Ring: EPDM, Silicone rubber

Metal Washer: Nickel-plated hoop

Protection degree: IP54

Temperature: Static state: -40 to 100°C, Short time to 120°C

Dynamic state: -20°C to 80°C, Short time to 100°C



规格参数 单位: mm

| 规格 Item | 适用范围 $\Phi$ Range | 螺纹规格 AG Thread | 螺纹长度 GL Thread Length | 主体外径 D Body Outer Diameter | 接合长度 H Joint Length | 扳手径 Spanner size | 产品编号 Code |
|---------|-------------------|----------------|-----------------------|----------------------------|---------------------|------------------|-----------|
| TJ8     | 5-7               | M14×1          | 9                     | 19                         | 28                  | 18               | HX-TJ8    |
| TJ13    | 6-12              | M18×1          | 10                    | 24                         | 35                  | 22               | HX-TJ13   |
| TJ16    | 11-15             | M22×1.5        | 12                    | 31                         | 40                  | 30               | HX-TJ16   |
| TJ19    | 14-18             | M27×1.5        | 12                    | 34.5                       | 42                  | 32               | HX-TJ19   |
| TJ24    | 17-23             | M30×1.5        | 12                    | 40                         | 44                  | 36               | HX-TJ24   |
| TJ28    | 22-27             | M36×1.5        | 15                    | 46.5                       | 46                  | 45               | HX-TJ28   |
| TJ34    | 26-33             | M42×2          | 15                    | 54                         | 48                  | 50               | HX-TJ34   |
| TJ42    | 32-41             | M52×2          | 15                    | 60                         | 54                  | 57/59            | HX-TJ42   |
| TJ50    | 40-49             | M58×2          | 15                    | 69                         | 56                  | 64/68            | HX-TJ50   |
| TJ58    | 48-57             | M68×2          | 20                    | 77.5                       | 60                  | 76               | HX-TJ58   |



填料函系列 Marine Cable Gland Series

# 船用填料函 -TH 系列

Marine Cable Gland-TH Welded Type



TH

CE ROHS IP68 REACH

材质：黄铜、镀锌铁

密封件：三元乙丙、硅橡胶等

防水圈：三元乙丙、硅橡胶等

垫圈：镀镍铁环

防水等级：IP54

工作温度：静态：-40°C到 100°C，短时间达 120°C

动态：-20°C到 80°C，短时间达 100°C

Material: Brass, Galvanized iron

Hermetic seal: EPDM, Silicone rubber

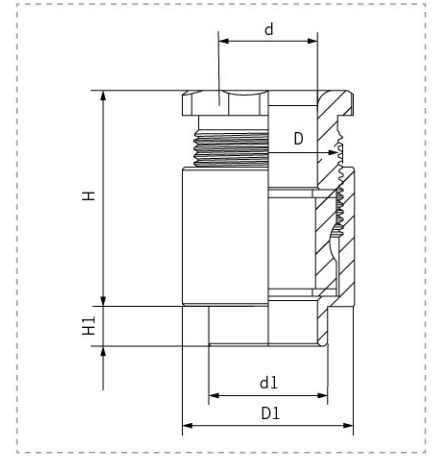
O-Ring: EPDM, Silicone rubber

Metal Washer: Nickel-plated hoop

Protection degree: IP54

Temperature: Static state: -40 to 100°C, Short time to 120°C

Dynamic state: -20°C to 80°C, Short time to 100°C



规格参数 单位: mm

| 规格 Item | 适用范围 $\Phi$ Range | 螺纹规格 D Thread | 焊接长度 H1 Welded Length | 安装孔径 d1 Mounting hole | 接合长度 H Joint Length | 扳手径 Spanner size | 产品编号 Code |
|---------|-------------------|---------------|-----------------------|-----------------------|---------------------|------------------|-----------|
| TH-8    | 5-7               | M16×1         | 3                     | 13                    | 32                  | 18               | HX-TH8    |
| TH-13   | 6-12              | M20×1         | 8                     | 17                    | 35                  | 22               | HX-TH13   |
| TH-16   | 11-15             | M27×1.5       | 8                     | 22                    | 40                  | 30               | HX-TH16   |
| TH-19   | 14-18             | M30×1.5       | 8                     | 24                    | 42                  | 32               | HX-TH19   |
| TH-24   | 17-23             | M35×1.5       | 8                     | 30                    | 44                  | 36               | HX-TH24   |
| TH-28   | 22-27             | M42×2         | 8                     | 35                    | 46                  | 45               | HX-TH28   |
| TH-34   | 26-33             | M47×2         | 8                     | 42                    | 49                  | 50               | HX-TH34   |
| TH-42   | 32-41             | M55×2         | 8                     | 50                    | 54                  | 57               | HX-TH42   |
| TH-50   | 40-49             | M62×2         | 8                     | 58                    | 56                  | 64               | HX-TH50   |
| TH-58   | 48-57             | M71×2         | 8                     | 66                    | 56                  | 76               | HX-TH58   |



# 单压缩式填料函

Single Compression Type Cable Gland

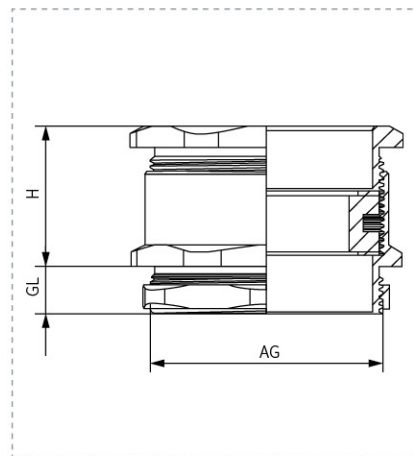


DCG

CE ROHS IP68 REACH

材质: 镀镍黄铜  
 密封件: 三元乙丙、硅橡胶等  
 防水圈: 三元乙丙、硅橡胶等  
 垫圈: 镀镍铁环  
 防水等级: IP54  
 工作温度: 静态: -40°C到 100°C, 短时间达 120°C  
 动态: -20°C到 80°C, 短时间达 100°C

Material: Nickel-plated brass  
 Hermetic seal: EPDM, Silicone rubber  
 O-Ring: EPDM, Silicone rubber  
 Metal Washer: Nickel-plated hoop  
 Protection degree: IP54  
 Temperature: Static state: -40 to 100°C, Short time to 120°C  
 Dynamic state: -20°C to 80°C, Short time to 100°C



规格参数 单位: mm

| 规格 Item | 螺纹 Thread | 适用范围 $\Phi$ Range | 螺纹长度 GL Thread Length | 螺纹外径 AG Thread O.D. | 接合长度 H Joint Length | 扳手径 Spanner size | 产品编号 Code  |
|---------|-----------|-------------------|-----------------------|---------------------|---------------------|------------------|------------|
| DCG7    | PG7       | 5-6.5             | 5.0                   | 12.5                | 16.5                | 14/15            | HX-DCG7    |
| DCG9    | PG9       | 6-8               | 6.2                   | 15.2                | 17.5                | 16/18            | HX-DCG9    |
| DCG11   | PG11      | 8-11              | 6.5                   | 18.6                | 17.5                | 20/21            | HX-DCG11   |
| DCG13.5 | PG13.5    | 9-11.5            | 7.5                   | 20.4                | 20.5                | 22/23            | HX-DCG13.5 |
| DCG16   | PG16      | 11-14             | 8.0                   | 22.5                | 22.2                | 24/26            | HX-DCG16   |
| DCG21   | PG21      | 15-17.5           | 8.0                   | 28.3                | 23.5                | 30/32            | HX-DCG21   |
| DCG29   | PG29      | 20-23             | 8.0                   | 37.0                | 25.5                | 40/41            | HX-DCG29   |
| DCG36   | PG36      | 29-31             | 10.0                  | 47.0                | 29.0                | 50/52            | HX-DCG36   |
| DCG42   | PG42      | 32-38             | 11.0                  | 54.0                | 33.0                | 57/57            | HX-DCG42   |
| DCG48   | PG48      | 37-44             | 12.0                  | 59.3                | 34.0                | 64/64            | HX-DCG48   |



填料函系列 Marine Cable Gland Series

# 简易铠装工业接头

Simple Armored Cable Gland

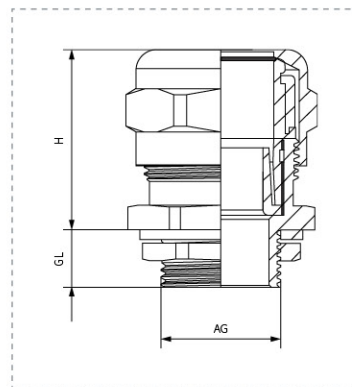


HX-EX-1

CE ROHS Ex REACH

材质: 黄铜 / 不锈钢 304/316L  
 表面: 镀镍 / 钝化  
 密封件: 硅橡胶、氟丁橡胶等  
 防爆标识: Exd IIC Gb  
 阻燃等级: UL94-V0  
 防水等级: IP66-10 巴压力  
 工作温度: 静态: -60°C至 100°C 短时间 120°C  
 动态: -20°C至 80°C短时间 100°C  
 适用电缆类型: 铠装电缆

Material: Brass/SS304/SS316L  
 Surface treatment: Nickel plated, Passivation  
 Sealing material: Silicone rubber, Neoprene  
 Explosion-proof: Exd IIC Gb  
 Flame retardant degree: UL94-V0  
 Protection degree: IP66-10 bar  
 Temperature: Static state: -60 to 100°C, Short time to 120°C  
 Dynamic state: -20°C to 80°C, Short time to 100°C  
 Applicable cable type: Armored cable



规格参数 单位: mm

| 螺纹尺寸<br>Thread size | 外护套 ΦB<br>Outer sheath | 内护套 ΦA<br>Inner sheath | 铠装编织 Armour/Braid<br>DrientAion1 DrientAion2 |         | 六角尺寸<br>SW | 接合长度<br>H | 螺纹长度<br>GL | 产品编号<br>Code  |
|---------------------|------------------------|------------------------|--|---------|------------|-----------|------------|---------------|
| M20x1.5             | 10.0-14.0              | 6.0-10.0               | 0.9/1.25                                     | 0/0.7   | 24/24      | 30        | 15         | HX-EX1.M20-14 |
| M20x1.5             | 13.0-18.0              | 9.0-14.0               | 0.9/1.25                                     | 0/0.7   | 30/30      | 32        | 15         | HX-EX1.M20-18 |
| M25x1.5             | 17.0-24.0              | 13.0-20.0              | 1.25/1.6                                     | 0/0.7   | 40/38      | 35        | 15         | HX-EX1.M25    |
| M32x1.5             | 23.0-32.0              | 18.0-26.0              | 1.6/2.0                                      | 0.6/1.2 | 50/48      | 39        | 15         | HX-EX1.M32    |
| M40x1.5             | 31.0-38.0              | 25.0-32.0              | 1.6/2.0                                      | 0.6/1.2 | 57/55      | 43        | 15         | HX-EX1.M40    |
| M50x1.5             | 37.0-44.0              | 31.0-38.0              | 1.8/2.5                                      | 0.6/1.2 | 62/60      | 48        | 15         | HX-EX1.M50    |
| M63x1.5             | 45.0-55.0              | 36.0-47.0              | 1.8/2.5                                      | 0.6/1.2 | 70/70      | 53        | 15         | HX-EX1.M63    |
| M75x1.5             | 58.0-68.0              | 45.0-58.0              | 1.8/2.5                                      | 1.0/1.5 | 90/88      | 58        | 15         | HX-EX1.M75    |
| M87x1.5             | 67.0-79.0              | 56.0-67.0              | 1.8/2.5                                      | 1.0/1.5 | 102/96     | 64        | 15         | HX-EX1.M87    |
| M100x1.5            | 78.0-89.0              | 65.0-75.0              | 1.8/2.5                                      | 1.0/1.5 | 110/114    | 70        | 15         | HX-EX1.M100   |

可选择 PG/G/NPT 螺纹  
 PG/G/NPT threads are available



危险场所所用接头系列 Explosion-proof & Armoured Cable Gland Series

# 双密封铠装防爆填料函

Double Seal Armored CBTL

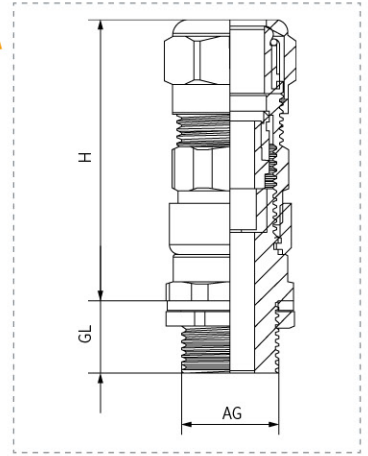


HX-EX-2

CE ROHS REACH

表面: 镀镍 / 钝化  
 密封件: 硅橡胶、氟丁橡胶等  
 防爆标识: Exd IIC Gb  
 阻燃等级: UL94-V0  
 防水等级: IP66-10 巴压力  
 工作温度: 静态: -60°C至 100°C 短时间 120°C  
 动态: -20°C至 80°C 短时间 100°C  
 适用电缆类型: 铠装电缆

Surface treatment: Nickel plated, Passivation  
 Sealing material: Silicone rubber, Neoprene  
 Explosion-proof: Exd IIC Gb  
 Flame retardant degree: UL94-V0  
 Protection degree: IP66-10 bar  
 Temperature: Static state: -60 to 100°C, Short time to 120°C  
 Dynamic state: -20°C to 80°C, Short time to 100°C  
 Applicable cable type: Armored cable



规格参数 单位: mm

| 螺纹尺寸<br>Insert thread size |           |             | 外护套 ΦB<br>Outer sheath |           | 内护套 ΦA<br>Inner sheath |           | 铠装编织<br>Armour/Braid |                     | 六角尺寸 | 接合长度 | 螺纹长度 | 产品编号<br>Code             |
|----------------------------|-----------|-------------|------------------------|-----------|------------------------|-----------|----------------------|---------------------|------|------|------|--------------------------|
| 公制螺纹<br>M                  | 英制螺纹<br>G | 英制螺纹<br>NPT | 标准密封圈                  | 可选密封圈     | 标准密封圈                  | 可选密封圈     | 方向 1<br>Orientaion1  | 方向 2<br>Orientaion2 | SW   | H    | GL   |                          |
| M20x1.5                    | G1/2      | NPT1/2"     | 9.0-14.0               | 6.0-10.0  | 6.0-10.0               | 4.0-8.0   | 0.9/1.25             | 0/0.7               | 24   | 64   | 15   | HX-EX2.M20 /G½" /NPT½"   |
| M20x1.5                    | G1/2      | NPT1/2"     | 9.0-18.0               | 12.0-16.0 | 9.0-14.0               | 8.0-12.0  | 0.9/1.25             | 0/0.7               | 30   | 65   | 15   | HX-EX2.M20 /G½" /NPT½"   |
| M25x1.5                    | G3/4      | NPT3/4"     | 17.0-24.0              | 15.0-21.0 | 13.0-20.0              | 11.0-17.0 | 1.25/1.6             | 0/0.7               | 70   | 40   | 15   | HX-EX2.M25 /G¾" /NPT¾"   |
| M32x1.5                    | G1        | NPT1"       | 23.0-32.0              | 20.0-28.0 | 18.0-26.0              | 16.0-23.0 | 1.6/2.0              | 0.6/1.2             | 75   | 50   | 15   | HX-EX2.M32 /G1" /NPT1"   |
| M40x1.5                    | G1 1/4    | NPT1 1/4"   | 31.0-38.0              | 28.0-35.0 | 25.0-32.0              | 21.0-29.0 | 1.6/2.0              | 0.6/1.2             | 78   | 57   | 15   | HX-EX2.M40 /G1¼" /NPT1¼" |
| M50x1.5                    | G1 1/2    | NPT1 1/2"   | 37.0-44.0              | 34.0-41.0 | 31.0-38.0              | 28.0-35.0 | 1.8/2.5              | 0.6/1.2             | 93   | 62   | 15   | HX-EX2.M50 /G1½" /NPT1½" |
| M63x1.5                    | G2        | NPT2"       | 45.0-55.0              | 40.0-50.0 | 36.0-47.0              | 33.0-43.0 | 1.8/2.5              | 0.6/1.2             | 98   | 70   | 16   | HX-EX2.M63 /G2" /NPT2"   |
| M75x1.5                    | G2 1/2    | NPT2 1/2"   | 58.0-68.0              | 51.0-61.0 | 45.0-58.0              | 42.0-53.0 | 1.8/2.5              | 1.0/1.5             | 102  | 90   | 18   | HX-EX2.M75 /G2½" /NPT2½" |
| M87x1.5                    | G3        | NPT3"       | 67.0-79.0              | 62.0-73.0 | 56.0-67.0              | 52.0-62.0 | 1.8/2.5              | 1.0/1.5             | 105  | 102  | 20   | HX-EX2.M87 /G3" /NPT3"   |
| M100x1.5                   | G4        | NPT4"       | 78.0-89.0              | /         | 65.0-75.0              | /         | 1.8/2.5              | 1.0/1.5             | 110  | 115  | 20   | HX-EX2.M100 /G4" /NPT4"  |

可选择 PG/G/NPT 螺纹  
 PG/G/NPT threads are available



危险场所用接头系列 Explosion-proof & Armoured Cable Gland Series

# 防爆电缆夹紧密封接头

Explosion-proof Cable Clamp Sealing Joint

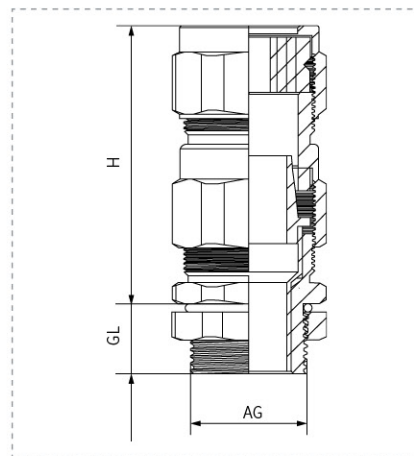


HX-EX-3

CE ROHS Ex REACH

材质: 黄铜 / 不锈钢 304/316L  
 表面: 镀镍 / 钝化  
 密封件: 硅橡胶、氟丁橡胶等  
 防爆标识: Exd IIC Gb  
 阻燃等级: UL94-V0  
 防水等级: IP66-10 巴压力  
 工作温度: 静态: -60°C至 100°C 短时间 120°C  
 动态: -20°C至 80°C短时间 100°C  
 适用电缆类型: 铠装电缆

Material: Brass/SS304/SS316L  
 Surface treatment: Nickel plated, Passivation  
 Sealing material: Silicone rubber, Neoprene  
 Explosion-proof: Exd IIC Gb  
 Flame retardant degree: UL94-V0  
 Protection degree: IP66-10 bar  
 Temperature: Static state: -60 to 100°C, Short time to 120°C  
 Dynamic state: -20°C to 80°C, Short time to 100°C  
 Applicable cable type: Armored cable



## 规格参数 单位: mm

| 公制螺纹 M<br>Metric | 英制螺纹 G<br>Inch | 电缆外径 Outer diameter cable |                     | 螺纹长度 GL<br>Thread length | 接合长度 H<br>Joint length | 产品编号<br>Code    |
|------------------|----------------|---------------------------|---------------------|--------------------------|------------------------|-----------------|
|                  |                | 进线 A<br>Incoming line     | 出线 B<br>Outlet line |                          |                        |                 |
| M16×1.5          | G3/8           | 7—15                      | 8                   | 15                       | 53                     | HX-EX3.M16-15   |
| M20×1.5          | G1/2           | 7—15                      | 8                   | 15                       | 53                     | HX-EX3.M20-15   |
| M25×1.5          | G3/4           | 11—20                     | 13                  | 15                       | 57                     | HX-EX3.M25-20   |
| M32×1.5          | G1             | 14-25                     | 16                  | 17                       | 60                     | HX-EX3.M32-25   |
| M40×1.5          | G1 1/4         | 19-33                     | 21                  | 17                       | 60                     | HX-EX3.M40-33   |
| M50×1.5          | G1 1/2         | 24-41                     | 25                  | 17                       | 78                     | HX-EX3.M50-41   |
| M63×1.5          | G2             | 30-50                     | 32.5                | 17                       | 82                     | HX-EX3.M63-50   |
| M75×1.5          | G2 1/2         | 38-64                     | 44                  | 17                       | 96                     | HX-EX3.M75-64   |
| M85×1.5          | G3S            | 47-74                     | 52                  | 18                       | 95                     | HX-EX3.M85-74   |
| M90×1.5          | G3             | 47-74                     | 52                  | 18                       | 109                    | HX-EX3.M90-74   |
| M100×1.5         | G4S            | 57-90                     | 64                  | 18                       | 109                    | HX-EX3.M100-90  |
| M110×1.5         | G4             | 62-103                    | 72                  | 18                       | 109                    | HX-EX3.M110-103 |

可选择 PG/G/NPT 螺纹  
 PG/G/NPT threads are available



危险场所用接头系列 Explosion-proof & Armoured Cable Gland Series

# 防爆填料函

Anti-Explosion Packing Gland

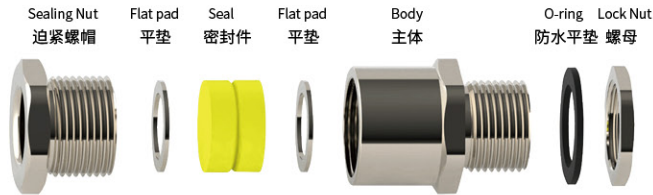
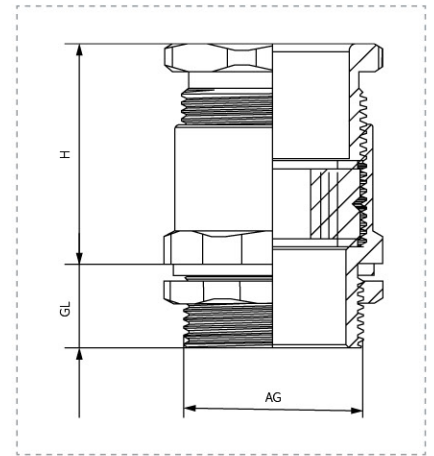


HX-EX4

CE ROHS

外部金属: 镀镍黄铜  
 密封件: 硅橡胶  
 防水圈: 硅橡胶  
 垫圈: 镀镍黄铜  
 防水等级: IP54  
 工作温度: 静态: -60°C至 100°C 短时间 120°C  
 动态: -20°C至 80°C 短时间 100°C

Material: Nickel-plated brass  
 Hermetic seal: silastic  
 O-Ring: silastic  
 Metal Wather: Nickel-plated brass  
 Protection degree: IP54  
 Temperature: Static state: -60 to 100°C ,Short time to 120°C  
 Dynamic state: -20°C to 80°C ,Short time to 100°C



规格参数 单位: mm

| 规格<br>Item | 适用范围<br>Range | 螺纹规格<br>Thread specification |         | 螺纹长度<br>Thread Length | 接合长度<br>Joint Length | 扳手径<br>Spanner size | 产品编号<br>Code |
|------------|---------------|------------------------------|---------|-----------------------|----------------------|---------------------|--------------|
|            |               | D1                           | D2      |                       |                      |                     |              |
| HX-EX-4-16 | 6-15          | M16×1.5                      | M24×1.5 | 15                    | 37                   | 27/20               | HX-EX4.M16   |
| HX-EX-4-20 | 6-15          | M20×1.5                      | M24×1.5 | 15                    | 37                   | 27/24               | HX-EX4.M20   |
| HX-EX-4-25 | 8-18          | M25×1.5                      | M28×1.5 | 15                    | 37                   | 32/30               | HX-EX4.M25   |
| HX-EX-4-32 | 12-23         | M32×1.5                      | M33×1.5 | 15                    | 39                   | 36                  | HX-EX4.M32   |
| HX-EX-4-40 | 15-30         | M40×1.5                      | M40×1.5 | 18                    | 47                   | 45                  | HX-EX4.M40   |
| HX-EX-4-50 | 20-37         | M50×1.5                      | M50×1.5 | 18                    | 47                   | 55                  | HX-EX4.M50   |
| HX-EX-4-63 | 24-46         | M63×1.5                      | M60×2   | 18                    | 48                   | 68                  | HX-EX4.M63   |

可选择 PG/G/NPT 螺纹  
 PG/G/NPT threads are available



危险场所用接头系列 Explosion-proof & Armoured Cable Gland Series

# 防爆电缆夹紧密封接头

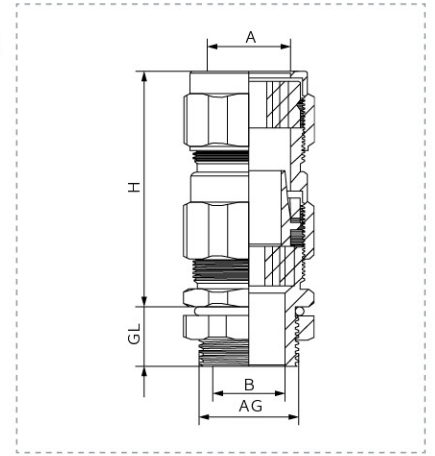
Explosion-Proof Cable Clamp Sealing Joint-CW

HX-EX5

CE ROHS  REACH

材质: 黄铜 / 不锈钢 304/316L  
 表面: 镀镍 / 钝化  
 密封件: 硅橡胶、氟丁橡胶  
 防爆标识: Exd IIC Gb  
 阻燃等级: UL94-V0  
 防水等级: IP66-10 巴压力  
 工作温度: 静态: -60°C至 100°C 短时间 120°C  
 动态: -20°C至 80°C 短时间 100°C

Material: Brass/SS304/SS316L  
 Surface treatment: Nickel plated, Passivation  
 Sealing material: Silicone rubber, Neoprene  
 Explosion-proof: Exd IIC Gb  
 Flame retardant degree: UL94-V0  
 Protection degree: IP66-10 bar  
 Temperature: Static state: -60 to 100°C, Short time to 120°C  
 Dynamic state: -20°C to 80°C, Short time to 100°C



规格参数 单位: mm

| 公制螺纹 M<br>Metric thread | 英制螺纹 G<br>Inch screw threads | 电缆外径 Outer diameter cable |                       | 螺纹长度 L1<br>Thread length | 接合长度 H<br>Length | 产品编号<br>Code |
|-------------------------|------------------------------|---------------------------|-----------------------|--------------------------|------------------|--------------|
|                         |                              | 进线 A<br>Incoming line     | 出线 B<br>Outgoing line |                          |                  |              |
| M16×1.5                 | G3/8                         | 7—15                      | 5—8                   | 15                       | 60               | HX-EX5.M16   |
| M20×1.5                 | G1/2                         | 8—15                      | 5—12                  | 15                       | 75               | HX-EX5.M20   |
| M25×1.5                 | G3/4                         | 11—20                     | 8—17                  | 15                       | 80               | HX-EX5.M25   |
| M32×1.5                 | G1                           | 14—27                     | 11—22                 | 17                       | 88               | HX-EX5.M32   |
| M40×1.5                 | G1 1/4                       | 19—33                     | 14—28                 | 17                       | 123              | HX-EX5.M40   |
| M50×1.5                 | G1 1/2                       | 22—40                     | 16—33                 | 17                       | 123              | HX-EX5.M50   |
| M63×1.5                 | G2                           | 29—50                     | 29—43                 | 17                       | 123              | HX-EX5.M63   |
| M75×1.5                 | G2 1/2                       | 35—63                     | 38—57                 | 17                       | 142              | HX-EX5.M75   |
| M85×1.5                 | G3S                          | 41—77                     | 38—72                 | 18                       | 144              | HX-EX5.M85   |
| M90×1.5                 | G3                           | 41—77                     | 38—72                 | 18                       | 161              | HX-EX5.M90   |
| M100×1.5                | G4S                          | 55—90                     | 48—83                 | 18                       | 161              | HX-EX5.M100  |
| M110×1.5                | G4                           | 61—104                    | 48—94                 | 18                       | 166              | HX-EX5.M110  |

依据可以安装要求: 可提供 GL 螺纹加长  
 Customization: Accept lengthen GL thread.





# 双密封、非铠装防爆填料函

Single Sealed And Non-Armored Explosion-Proof Cable Gland

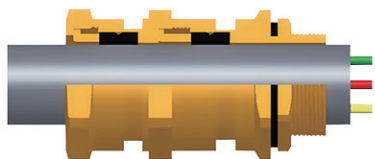
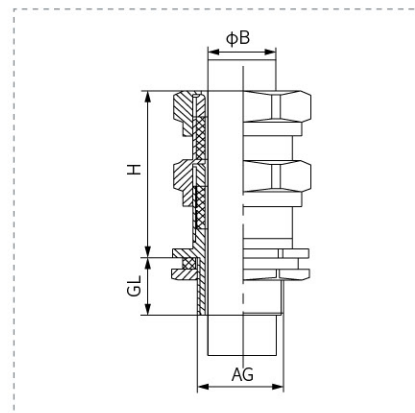


HX-EX6.CT-KDSI

CE ROHS IP68 REACH ICEEX

材质: H62, SS304, 316  
 表面: 镀镍、钝化  
 密封件: 氯丁橡胶  
 防爆标志: Exd II c Gb, Exe II c Gb, Ex tD A21  
 工作温度: V0(UL94)  
 防护等级: IP68-10 巴压力 (旋紧部件)  
 工作温度: 静态 -40°C ~100°C短时 120°C  
 动态 -20°C ~80°C短时 100°C  
 不含卤化物  
 环境场合: 高温、恶劣

Material: H62, SS304, 316  
 Surface treatment: nickel plating, passivation  
 Sealing materials: Neoprene  
 Explosion-proof mark: Exd II c Gb, Exe I c Gb, Ex tD A21  
 Fireproof classification: V0(UL94)  
 Protection grade: P68-10 bars, (screwed-on part)  
 Working temperature: Static from -40°C to 100°C, short time 120°C  
 Dynamic from -20°C to 80°C, short time 100°C  
 Without halide  
 Environmental conditions: high-temperature and atrocious



## 规格参数 单位: mm

| AG       | 外护套 ΦB<br>Outer sheath ΦB | H   | GL | SW  | 产品编号<br>Code           |
|----------|---------------------------|-----|----|-----|------------------------|
| M20×1.5  | Φ6.0-Φ10.0                | 56  | 15 | 24  | HX-EX6.CT-KDSI-1-M20   |
| M20×1.5  | Φ9.0-Φ14.0                | 60  | 15 | 28  | HX-EX6.CT-KDSI-2-M20   |
| M25×1.5  | Φ13.0-Φ19.0               | 60  | 15 | 34  | HX-EX6.CT-KDSI-3-M25   |
| M32×1.5  | Φ18.0-Φ25.0               | 65  | 15 | 42  | HX-EX6.CT-KDSI-4-M32   |
| M40×1.5  | Φ24.0-Φ33.0               | 70  | 15 | 52  | HX-EX6.CT-KDSI-5-M40   |
| M50×1.5  | Φ32.0-Φ42.0               | 76  | 16 | 62  | HX-EX6.CT-KDSI-6-M50   |
| M63×1.5  | Φ41.0-Φ52.0               | 77  | 16 | 73  | HX-EX6.CT-KDSI-7-M63   |
| M75×1.5  | Φ51.0-Φ63.0               | 86  | 18 | 86  | HX-EX6.CT-KDSI-8-M75   |
| M87×2.0  | Φ62.0-Φ75.0               | 94  | 18 | 101 | HX-EX6.CT-KDSI-9-M87   |
| M100×2.0 | Φ74.0-Φ89.0               | 103 | 18 | 118 | HX-EX6.CT-KDSI-10-M100 |

依据客户安装要求: 可提供 GL 螺纹加长  
 According to the customer's requirements the extended GL screws threads are available



## 双密封、非铠装防爆填料函

Single Sealed And Non-Armored Explosion-Proof Cable Gland



| AG   | 外护套 ΦB<br>Outer sheath ΦB | H   | GL | SW  | 产品编号<br>Code          |
|------|---------------------------|-----|----|-----|-----------------------|
| G½"  | Φ6.0-Φ10.0                | 56  | 15 | 24  | HX-EX6.CT-KDSI-1-G½"  |
| G½"  | Φ9.0-Φ14.0                | 60  | 15 | 28  | HX-EX6.CT-KDSI-2-G½"  |
| G¾"  | Φ13.0-Φ19.0               | 60  | 15 | 34  | HX-EX6.CT-KDSI-3-G¾"  |
| G1"  | Φ18.0-Φ25.0               | 65  | 15 | 42  | HX-EX6.CT-KDSI-4-G1"  |
| G1¼" | Φ24.0-Φ33.0               | 70  | 15 | 52  | HX-EX6.CT-KDSI-5-G1¼" |
| G1½" | Φ32.0-Φ42.0               | 76  | 16 | 62  | HX-EX6.CT-KDSI-6-G1½" |
| G2"  | Φ41.0-Φ52.0               | 77  | 16 | 73  | HX-EX6.CT-KDSI-7-G2"  |
| G2½" | Φ51.0-Φ63.0               | 86  | 18 | 86  | HX-EX6.CT-KDSI-8-G2½" |
| G3"  | Φ62.0-Φ75.0               | 94  | 18 | 101 | HX-EX6.CT-KDSI-9-G3"  |
| G4"  | Φ74.0-Φ89.0               | 103 | 18 | 118 | HX-EX6.CT-KDSI-10-G4" |

依据客户安装要求：可提供 GL 螺纹加长  
According to the customer's requirements the extended GL screws threads are available

| AG     | 外护套 ΦB<br>Outer sheath ΦB | H   | GL | SW  | 产品编号<br>Code            |
|--------|---------------------------|-----|----|-----|-------------------------|
| NPT½"  | Φ6.0-Φ10.0                | 56  | 15 | 24  | HX-EX6.CT-KDSI-1-NPT½"  |
| NPT½"  | Φ9.0-Φ14.0                | 60  | 15 | 28  | HX-EX6.CT-KDSI-2-NPT½"  |
| NPT¾"  | Φ13.0-Φ19.0               | 60  | 15 | 34  | HX-EX6.CT-KDSI-3-NPT¾"  |
| NPT1"  | Φ18.0-Φ25.0               | 65  | 15 | 42  | HX-EX6.CT-KDSI-4-NPT1"  |
| NPT1¼" | Φ24.0-Φ33.0               | 70  | 15 | 52  | HX-EX6.CT-KDSI-5-NPT1¼" |
| NPT1½" | Φ32.0-Φ42.0               | 76  | 16 | 62  | HX-EX6.CT-KDSI-6-NPT1½" |
| NPT2"  | Φ41.0-Φ52.0               | 77  | 16 | 73  | HX-EX6.CT-KDSI-7-NPT2"  |
| NPT2½" | Φ51.0-Φ63.0               | 86  | 18 | 86  | HX-EX6.CT-KDSI-8-NPT2½" |
| NPT3"  | Φ62.0-Φ75.0               | 94  | 18 | 101 | HX-EX6.CT-KDSI-9-NPT3"  |
| NPT4"  | Φ74.0-Φ89.0               | 103 | 18 | 118 | HX-EX6.CT-KDSI-10-NPT4" |

依据客户安装要求：可提供 GL 螺纹加长  
According to the customer's requirements the extended GL screws threads are available

# 单密封、非铠装防爆填料函

Single Sealed And Non-Armored Explosion-Proof Cable Gland

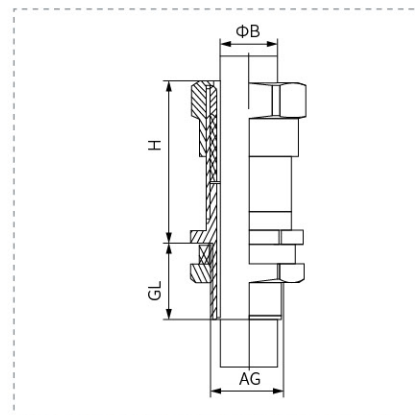


HX-EX7.CT-KDDI

CE ROHS IP68 REACH Ex ICEEX

材质: H62, SS304, 316  
 表面: 镀镍、钝化  
 密封件: 氟丁橡胶  
 防爆标志: Exd II c Gb, Exe II c Gb, Ex tD A21  
 工作温度: V0(UL94)  
 防护等级: IP68-10 巴压力 (旋紧部件)  
 工作温度: 静态 -40°C ~100°C短时 120°C  
 动态 -20°C ~80°C短时 100°C  
 不含卤化物  
 环境场合: 高温、恶劣

Material: H62, SS304, 316  
 Surface treatment: nickel plating, passivation  
 Sealing materials: Neoprene  
 Explosion-proof mark: Exd II c Gb, Exe I c Gb, Ex tD A21  
 Fireproof classification: V0(UL94)  
 Protection grade: P68-10 bars, (screwed-on part)  
 Working temperature: Static from -40°C to 100°C, short time 120°C  
 Dynamic from -20°C to 80°C, short time 100°C  
 Without halide  
 Environmental conditions: high-temperature and atrocious



## 规格参数 单位: mm

| AG       | 外护套 ΦB<br>Outer sheath ΦB | H  | GL | SW  | 产品编号<br>Code           |
|----------|---------------------------|----|----|-----|------------------------|
| M20×1.5  | Φ6.0-Φ10.0                | 32 | 15 | 24  | HX-EX7.CT-KDDI-1-M20   |
| M20×1.5  | Φ9.0-Φ14.0                | 34 | 15 | 28  | HX-EX7.CT-KDDI-2-M20   |
| M25×1.5  | Φ13.0-Φ19.0               | 34 | 15 | 34  | HX-EX7.CT-KDDI-3-M25   |
| M32×1.5  | Φ18.0-Φ25.0               | 37 | 15 | 42  | HX-EX7.CT-KDDI-4-M32   |
| M40×1.5  | Φ24.0-Φ33.0               | 40 | 15 | 52  | HX-EX7.CT-KDDI-5-M40   |
| M50×1.5  | Φ32.0-Φ42.0               | 43 | 16 | 62  | HX-EX7.CT-KDDI-6-M50   |
| M63×1.5  | Φ41.0-Φ52.0               | 44 | 16 | 73  | HX-EX7.CT-KDDI-7-M63   |
| M75×1.5  | Φ51.0-Φ63.0               | 49 | 18 | 86  | HX-EX7.CT-KDDI-8-M75   |
| M87×2.0  | Φ62.0-Φ75.0               | 54 | 18 | 101 | HX-EX7.CT-KDDI-9-M87   |
| M100×2.0 | Φ74.0-Φ89.0               | 59 | 18 | 118 | HX-EX7.CT-KDDI-10-M100 |

依据客户安装要求: 可提供 GL 螺纹加长  
 According to the customer's requirements the extended GL screws threads are available



## 单密封、非铠装防爆填料函

Single Sealed And Non-Armored Explosion-Proof Cable Gland



| AG   | 外护套 ΦB<br>Outer sheath ΦB | H  | GL | SW  | 产品编号<br>Code          |
|------|---------------------------|----|----|-----|-----------------------|
| G½"  | Φ6.0-Φ10.0                | 32 | 15 | 24  | HX-EX7.CT-KDDI-1-G½"  |
| G½"  | Φ9.0-Φ14.0                | 34 | 15 | 28  | HX-EX7.CT-KDDI-2-G½"  |
| G¾"  | Φ13.0-Φ19.0               | 34 | 15 | 34  | HX-EX7.CT-KDDI-3-G¾"  |
| G1"  | Φ18.0-Φ25.0               | 37 | 15 | 42  | HX-EX7.CT-KDDI-4-G1"  |
| G1¼" | Φ24.0-Φ33.0               | 40 | 15 | 52  | HX-EX7.CT-KDDI-5-G1¼" |
| G1½" | Φ32.0-Φ42.0               | 43 | 16 | 62  | HX-EX7.CT-KDDI6-G1½"  |
| G2"  | Φ41.0-Φ52.0               | 44 | 16 | 73  | HX-EX7.CT-KDDI-7-G2"  |
| G2½" | Φ51.0-Φ63.0               | 49 | 18 | 86  | HX-EX7.CT-KDDI-8-G2½" |
| G3"  | Φ62.0-Φ75.0               | 54 | 18 | 101 | HX-EX7.CT-KDDI-9-G3"  |
| G4"  | Φ74.0-Φ89.0               | 59 | 18 | 118 | HX-EX7.CT-KDDI-10-G4" |

依据客户要求：可提供 GL 螺纹加长  
According to the customer's requirements the extended GL screws threads are available

| AG     | 外护套 ΦB<br>Outer sheath ΦB | H  | GL | SW  | 产品编号<br>Code            |
|--------|---------------------------|----|----|-----|-------------------------|
| NPT½"  | Φ6.0-Φ10.0                | 32 | 15 | 24  | HX-EX7.CT-KDDI-1-NPT½"  |
| NPT½"  | Φ9.0-Φ14.0                | 34 | 15 | 28  | HX-EX7.CT-KDDI-2-NPT½"  |
| NPT¾"  | Φ13.0-Φ19.0               | 34 | 15 | 34  | HX-EX7.CT-KDDI-3-NPT¾"  |
| NPT1"  | Φ18.0-Φ25.0               | 37 | 15 | 42  | HX-EX7.CT-KDDI-4-NPT1"  |
| NPT1¼" | Φ24.0-Φ33.0               | 40 | 15 | 52  | HX-EX7.CT-KDDI-5-NPT1¼" |
| NPT1½" | Φ32.0-Φ42.0               | 43 | 16 | 62  | HX-EX7.CT-KDDI-6-NPT1½" |
| NPT2"  | Φ41.0-Φ52.0               | 44 | 16 | 73  | HX-EX7.CT-KDDI-7-NPT2"  |
| NPT2½" | Φ51.0-Φ63.0               | 49 | 18 | 86  | HX-EX7.CT-KDDI-8-NPT2½" |
| NPT3"  | Φ62.0-Φ75.0               | 54 | 18 | 101 | HX-EX7.CT-KDDI-9-NPT3"  |
| NPT4"  | Φ74.0-Φ89.0               | 59 | 18 | 118 | HX-CT-KDDI-10-NPT4"     |

依据客户要求：可提供 GL 螺纹加长  
According to the customer's requirements the extended GL screws threads are available

# BW 铠装电缆接头

BW Cable Gland



HX-BW

CE ROHS REACH

材质: 镀镍黄铜

防水等级: IP66-10 巴压力

工作温度: 静态: -60°C至 100°C 短时间 120°C

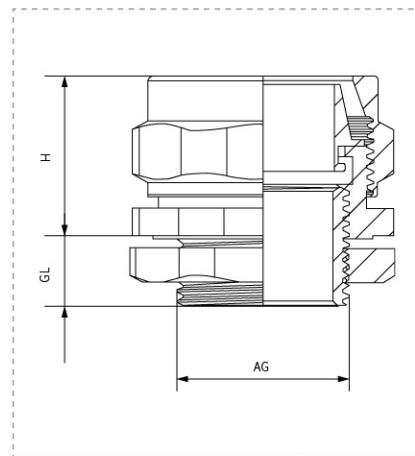
动态: -20°C至 80°C短时间 100°C

Material: Nickel-plated brass

Protection degree: IP66-10 bar

Temperature: Static state: -60 to 100°C, Short time to 120°C

Dynamic state: -20°C to 80°C, Short time to 100°C



规格参数 单位: mm

| 规格<br>Item | 螺纹 Thread | 适用范围 $\Phi$<br>Range |              | 螺纹长度 GL<br>Thread Length | 螺纹外径 AG<br>Thread O.D. | 接合长度 H<br>Joint Length | 扳手径<br>Spanner size | 产品编号<br>Code |
|------------|-----------|----------------------|--------------|--------------------------|------------------------|------------------------|---------------------|--------------|
|            |           | 最小直径<br>Min.         | 最大直径<br>Max. |                          |                        |                        |                     |              |
| BW-0       | M20×1.5   | 12.6                 | 16.5         | 10                       | 20                     | 23                     | 22                  | HX-BW0       |
| BW-1       | M20×1.5   | 15.9                 | 19.0         | 10                       | 20                     | 26                     | 27/25/24            | HX-BW1       |
| BW-2       | M25×1.5   | 20.6                 | 26.5         | 10                       | 25                     | 29                     | 35                  | HX-BW2       |
| BW-3       | M32×1.5   | 26.5                 | 33.0         | 10                       | 32                     | 32                     | 40                  | HX-BW3       |
| BW-4       | M40×1.5   | 34.9                 | 40.5         | 15                       | 40                     | 36                     | 50                  | HX-BW4       |
| BW-5       | M50×1.5   | 44.5                 | 51.0         | 15                       | 50                     | 45                     | 64                  | HX-BW5       |
| BW-6       | M63×1.5   | 57.0                 | 67.0         | 15                       | 63                     | 50                     | 82                  | HX-BW6       |
| BW-7       | M75×2     | 68.0                 | 79.5         | 15                       | 75                     | 60                     | 96                  | HX-BW7       |
| BW-8       | M82×2     | 74.0                 | 83.0         | 15                       | 82                     | 65                     | 100                 | HX-BW8       |
| BW-9       | M90×2     | 82.0                 | 91.0         | 15                       | 90                     | 69                     | 110                 | HX-BW9       |
| BW-10      | M100×2    | 93.0                 | 100.0        | 15                       | 100                    | 88                     | 120                 | HX-BW10      |



危险场所用接头系列 Explosion-proof & Armoured Cable Gland Series

# BWL 铠装电缆接头

BWL Cable Gland

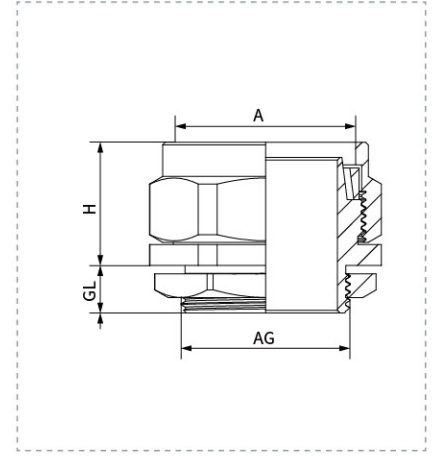


HX-BWL

CE ROHS Ex REACH

材质: 黄铜  
 防水等级: IP66  
 工作温度: 静态: -60°C至 100°C 短时间 120°C  
 动态: -20°C至 80°C短时间 100°C

Material: Brass  
 Protection degree: IP66  
 Temperature: Static state: -60 to 100°C, Short time to 120°C  
 Dynamic state: -20°C to 80°C, Short time to 100°C



规格参数 单位: mm

| 螺纹 Thread | 适用范围 $\Phi$ Range |           | 螺纹长度 GL Thread Length | 螺纹外径 AG Thread O.D. | 接合长度 H Joint Length | 扳手径 Spanner size | 产品编号 Code  |
|-----------|-------------------|-----------|-----------------------|---------------------|---------------------|------------------|------------|
|           | 最小直径 Min.         | 最大直径 Max. |                       |                     |                     |                  |            |
| M20×1.5   | 14                | 21.1      | 10                    | 20                  | 17                  | 24               | HX-BWL-20L |
| M20×1.5   | 11.7              | 16.1      | 10                    | 20                  | 17                  | 22/23            | HX-BWL-20S |
| M25×1.5   | 20                | 27        | 10                    | 25                  | 23                  | 34               | HX-BWL-25L |
| M25×1.5   | 19                | 24        | 10                    | 25                  | 23                  | 31               | HX-BWL-25S |
| M32×1.5   | 26.2              | 33        | 10                    | 32                  | 23                  | 40               | HX-BWL-32L |
| M32×1.5   | 24                | 30.5      | 10                    | 32                  | 23                  | 36               | HX-BWL-32S |
| M40×1.5   | 32.5              | 41        | 10                    | 40                  | 25                  | 45/48            | HX-BWL-40L |
| M40×1.5   | 30                | 37        | 10                    | 40                  | 25                  | 45               | HX-BWL-40S |
| M50×1.5   | 44.1              | 55.7      | 15                    | 50                  | 32                  | 55/63            | HX-BWL-50L |
| M50×1.5   | 38.2              | 50.1      | 15                    | 50                  | 30                  | 55               | HX-BWL-50S |
| M63×1.5   | 56                | 68.2      | 15                    | 63                  | 38                  | 78               | HX-BWL-63L |
| M63×1.5   | 50                | 62.4      | 15                    | 63                  | 38                  | 68/72            | HX-BWL-63S |



危险场所用接头系列 Explosion-proof & Armoured Cable Gland Series

# 防爆电缆夹紧密封接头

Explosion-Proof Cable Clamp Sealing Joint-CW

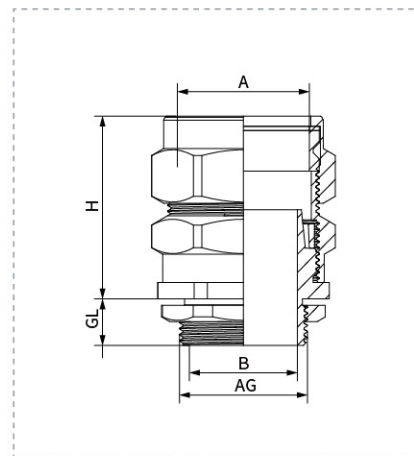


HX-CW

CE ROHS REACH

材质: 黄铜  
 密封件: 三元乙丙 / 硅橡胶  
 防水等级: IP66  
 工作温度: 静态: -60°C至 100°C 短时间 120°C  
 动态: -20°C至 80°C短时间 100°C

Material: Brass  
 Seals: EPDM/Silastic  
 Protection degree: IP66  
 Temperature: Static state: -60 to 100°C, Short time to 120°C  
 Dynamic state: -20°C to 80°C, Short time to 100°C



规格参数 单位: mm

| 公制螺纹 M<br>Metric thread | 电缆外径 Outer diameter cable |                       | 螺纹长度 L1<br>Thread length | 接合长度 H<br>Length | 产品编号<br>Code |
|-------------------------|---------------------------|-----------------------|--------------------------|------------------|--------------|
|                         | 进线 A<br>Incoming line     | 出线 B<br>Outgoing line |                          |                  |              |
| M20×1.5                 | 14-20.9                   | 16                    | 10                       | 35               | HX-CW-20L    |
| M20×1.5                 | 11.7-15.9                 | 12.5                  | 10                       | 35               | HX-CW-20S    |
| M25×1.5                 | 20-27                     | 21.5                  | 10                       | 55               | HX-CW-25L    |
| M25×1.5                 | 20-27                     | 18.7                  | 10                       | 55               | HX-CW-25S    |
| M32×1.5                 | 26.2-33                   | 27                    | 10                       | 55               | HX-CW-32L    |
| M32×1.5                 | 24-30.5                   | 25.3                  | 10                       | 55               | HX-CW-32S    |
| M40×1.5                 | 32.5-41                   | 35                    | 11                       | 50               | HX-CW-40L    |
| M40×1.5                 | 30-37                     | 34                    | 11                       | 50               | HX-CW-40S    |
| M50×1.5                 | 44.1-53.1                 | 45                    | 15                       | 57               | HX-CW-50L    |
| M50×1.5                 | 38.2-46.7                 | 40                    | 15                       | 56               | HX-CW-50S    |
| M63×1.5                 | 50-59.4                   | 59                    | 15                       | 68               | HX-CW-63L    |



危险场所用接头系列 Explosion-proof & Armoured Cable Gland Series

# 端式软管接头

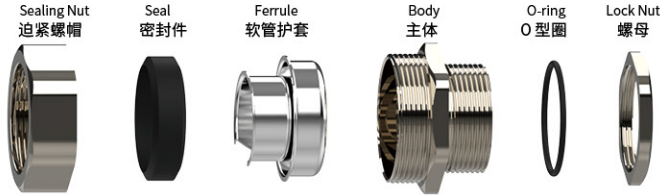
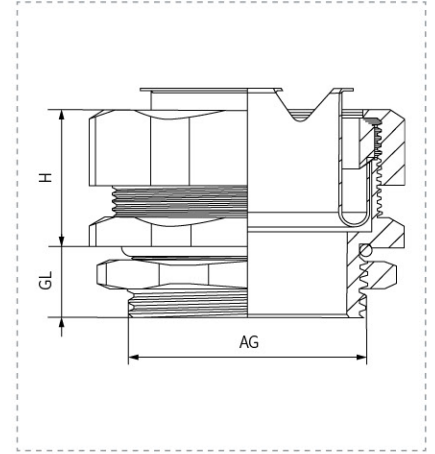
Ended Hose Fittings

M / G / PG

CE ROHS

材质: 黄铜 / 不锈钢 304/316L  
 密封件: 三元乙丙  
 防水圈: 三元乙丙  
 软管护套: 镀锌铁皮 / 不锈钢 304  
 防护等级: IP66  
 温度范围: -40°C ~105°C

Material: Nickel-plated brass/SS304/SS316L  
 Hermetic seal: EPDM  
 O-Ring: EPDM  
 Ferrule: Galvanized steel / SS304  
 Protection degree: IP66  
 Temperature: -40°C ~105°C



规格参数 单位: mm

| 公制螺纹<br>Metric | 适配软管尺寸<br>For conduit size |         | 螺纹长度 GL<br>Thread Length | 扳手尺寸<br>Spanner size | 产品编号<br>Code    |
|----------------|----------------------------|---------|--------------------------|----------------------|-----------------|
|                | 公制 Metric                  | 英制 Inch |                          |                      |                 |
| M12×1.5        | Φ6                         | 3/16"   | 7                        | 18/16                | HX-RG.M12-Φ6    |
| M16×1.5        | Φ8                         | 1/4"    | 7                        | 24/22                | HX-RG.M16-Φ8    |
| M16×1.5        | Φ10                        | 5/16"   | 7                        | 24/22                | HX-RG.M16-Φ10   |
| M20×1.5        | Φ12                        | 3/8"    | 10                       | 26                   | HX-RG.M20-Φ12   |
| M20×1.5        | Φ15                        | 1/2"    | 12                       | 30                   | HX-RG.M20-Φ15   |
| M25×1.5        | Φ20                        | 3/4"    | 12                       | 35                   | HX-RG.M25-Φ20   |
| M32×1.5        | Φ25                        | 1"      | 14                       | 43                   | HX-RG.M32-Φ25   |
| M40×1.5        | Φ32                        | 1-1/4"  | 14                       | 52                   | HX-RG.M40-Φ32   |
| M50×1.5        | Φ38                        | 1-1/2"  | 16                       | 60                   | HX-RG.M50-Φ38   |
| M63×1.5        | Φ50                        | 2"      | 16                       | 75                   | HX-RG.M63-Φ50   |
| M76×2          | Φ64                        | 2-1/2"  | 24                       | 89/87                | HX-RG.M76-Φ64   |
| M88×2          | Φ75                        | 3"      | 25                       | 102/97               | HX-RG.M88-Φ75   |
| M114×2         | Φ100                       | 4"      | 25                       | 133/128              | HX-RG.M114-Φ100 |
| M140×2         | Φ125                       | 5"      | 25                       | 158                  | HX-RG.M140-Φ125 |
| M164×2         | Φ150                       | 6"      | 25                       | 183                  | HX-RG.M164-Φ150 |



软管接头系列 Metal Hose Fitting Series



# 带锁紧金属软管接头

Locking Metal Hose Joint

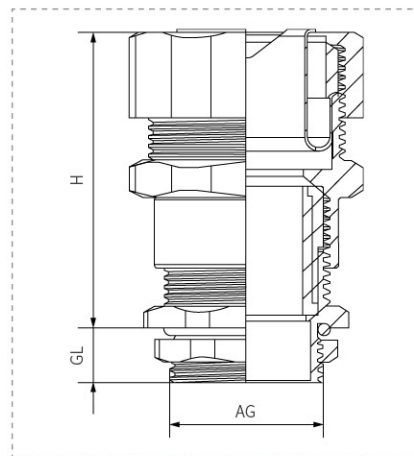


PG

CE ROHS

材质: 黄铜 / 不锈钢 304/316L  
 密封件: 三元乙丙  
 夹紧爪: PA66  
 软管护套: 镀锌铁皮 / 不锈钢  
 防水圈: 三元乙丙  
 防护等级: IP68  
 温度范围: -40°C到 100°C短时间达 120°C

Material: Nickel-plated brass/SS304/316L  
 Hermetic seal: EPDM  
 Claw: PA66  
 Ferrule: Galvanized steel/Stainless steel  
 O-ring: EPDM  
 Protection degree: IP68  
 Temperature: -40°C to 100°C, short time to 120°C





## 规格参数 单位: mm



| 规格<br>Item | 适配软管<br>Conduit Size | 适用范围<br>Range | 螺纹长度 GL<br>Thread Length | 扳手径<br>Spanner size | 产品编号<br>Code        |
|------------|----------------------|---------------|--------------------------|---------------------|---------------------|
| PG7        | Φ6                   | 3-6.5         | 6.5                      | 18/17/14            | HX-SR.PG7-6.5-Φ6    |
| PG9        | Φ8                   | 4-8           | 8                        | 20/19/17            | HX-SR.PG9-8-Φ8      |
| PG11       | Φ10                  | 5-10          | 8                        | 24/23/20            | HX-SR.PG11-10-Φ10   |
| PG13.5     | Φ12                  | 6-12          | 8                        | 26/26/22            | HX-SR.PG13.5-12-Φ12 |
| PG16       | Φ15                  | 10-14         | 8                        | 30/30/24            | HX-SR.PG16-14-Φ15   |
| PG21       | Φ20                  | 13-18         | 9                        | 36/34/30            | HX-SR.PG21-18-Φ20   |
| PG29       | Φ25                  | 15-22         | 10                       | 45/45/40            | HX-SR.PG29-22-Φ25   |
| PG36       | Φ32                  | 22-30         | 11                       | 55/52/50            | HX-SR.PG36-30-Φ32   |
| PG42       | Φ38                  | 32-38         | 13                       | 60/58/58            | HX-SR.PG42-38-Φ38   |
| PG48       | Φ51                  | 37-44         | 14                       | 75/75/65            | HX-SR.PG48-44-Φ51   |
| M12*1.5    | Φ6                   | 3-6.5         | 6.5                      | 18/17/14            | HX-SR.M12-6.5-Φ6    |
| M16*1.5    | Φ8                   | 4-8           | 8                        | 20/19/18            | HX-SR.M16-8-Φ8      |
| M18*1.5    | Φ10                  | 5-10          | 8                        | 24/23/20            | HX-SR.M18-10-Φ10    |
| M20*1.5    | Φ12                  | 6-12          | 8                        | 26/26/20            | HX-SR.M20-12-Φ12    |
| M20*1.5    | Φ15                  | 6-12          | 8                        | 30/28/24            | HX-SR.M20-12-Φ15    |
| M22*1.5    | Φ15                  | 10-14         | 8                        | 30/30/24            | HX-SR.M22-14-Φ15    |
| M24*1.5    | Φ15                  | 10-14         | 8                        | 30/30/27            | HX-SR.M24-14-Φ15    |
| M25*1.5    | Φ15                  | 10-14         | 9                        | 30/30/28            | HX-SR.M25-14-Φ15    |
| M25*1.5    | Φ20                  | 13-18         | 9                        | 36/34/30            | HX-SR.M25-18-Φ20    |
| M32*1.5    | Φ20                  | 13-18         | 9                        | 36/34/36            | HX-SR.M32-18-Φ20    |
| M32*1.5    | Φ25                  | 15-22         | 10                       | 45/40/36            | HX-SR.M32-22-Φ25    |
| M36*2      | Φ25                  | 15-22         | 10                       | 45/45/40            | HX-SR.M36-22-Φ25    |
| M40*1.5    | Φ32                  | 22-30         | 11                       | 55/52/45            | HX-SR.M40-30-Φ32    |
| M40*1.5    | Φ38                  | 22-30         | 11                       | 60/58/50            | HX-SR.M40-30-Φ38    |
| M48*1.5    | Φ32                  | 25-33         | 11                       | 55/52/55            | HX-SR.M48-33-Φ32    |
| M50*1.5    | Φ38                  | 32-38         | 13                       | 60/58/55            | HX-SR.M50-38-Φ38    |
| M50*1.5    | Φ51                  | 32-38         | 13                       | 75/75/75            | HX-SR.M50-38-Φ51    |
| M56*2      | Φ38                  | 32-38         | 13                       | 60/58/60            | HX-SR.M56-38-Φ38    |
| M60*1.5    | Φ51                  | 37-44         | 14                       | 75/75/70            | HX-SR.M60-44-Φ51    |
| M63*1.5    | Φ51                  | 37-44         | 14                       | 75/75/70            | HX-SR.M63-44-Φ51    |



**Liquid-tight Connector**      **Liquid-tight Connector 90°**

|  | Zinc Die Cast |        |  | Zinc Die Cast |        |
|---|---------------|--------|--|---------------|--------|
|   | CODE          | SIZE   |  | CODE          | SIZE   |
|   | LTC-40        | 3/8"   |  | LTCE-40       | 3/8"   |
|   | LTC-50        | 1/2"   |  | LTCE-50       | 1/2"   |
|   | LTC-75        | 3/4"   |  | LTCE-75       | 3/4"   |
|   | LTC-100       | 1"     |  | LTCE-100      | 1"     |
|   | LTC-125       | 1-1/4" |  | LTCE-125      | 1-1/4" |
|   | LTC-150       | 1-1/2" |  | LTCE-150      | 1-1/2" |
|   | LTC-200       | 2"     |  | LTCE-200      | 2"     |
|   | LTC-250       | 2-1/2" |  | LTCE-250      | 2-1/2" |
|   | LTC-300       | 3"     |  | LTCE-300      | 3"     |
|   | LTC-400       | 4"     |  | LTCE-400      | 4"     |

**Flexible Conduit Connector**      **Flexible Conduit Female Connector**

|  | Zinc Die Cast -Flex To Box |        |  | Zinc Die cast -Flex to IMC x |        |
|--|----------------------------|--------|---|------------------------------|--------|
|  | CODE                       | SIZE   |   | CODE                         | SIZE   |
|  | DPJ-12                     | 3/8"   |   | DPN-12                       | 3/8"   |
|  | DPJ-15                     | 1/2"   |   | DPN-15                       | 1/2"   |
|  | DPJ-20                     | 3/4"   |   | DPN-20                       | 3/4"   |
|  | DPJ-25                     | 1"     |   | DPN-25                       | 1"     |
|  | DPJ-32                     | 1-1/4" |   | DPN-32                       | 1-1/4" |
|  | DPJ-38                     | 1-1/2" |   | DPN-38                       | 1-1/2" |
|  | DPJ-50                     | 2"     |   | DPN-50                       | 2"     |
|  | DPJ-64                     | 2-1/2" |   | DPN-64                       | 2-1/2" |
|  | DPJ-75                     | 3"     |   | DPN-75                       | 3"     |
|  | DPJ-100                    | 4"     |   | DPN-100                      | 4"     |

**Flexible Conduit Connector**      **Flexible Conduit Connector**

|  | Zinc Die cast -Flex to EMT |        |  | Zinc Die Cast-Flex To Box ,Plum Type |        |
|---|----------------------------|--------|--|--------------------------------------|--------|
|   | CODE                       | SIZE   |  | CODE                                 | SIZE   |
|   | DKJ-12                     | 3/8"   |  | MPJ-12                               | 3/8"   |
|   | DKJ-15                     | 1/2"   |  | MPJ-15                               | 1/2"   |
|   | DKJ-20                     | 3/4"   |  | MPJ-20                               | 3/4"   |
|   | DKJ-25                     | 1"     |  | MPJ-25                               | 1"     |
|   | DKJ-32                     | 1-1/4" |  | MPJ-32                               | 1-1/4" |
|   | DKJ-38                     | 1-1/2" |  | MPJ-38                               | 1-1/2" |
|   | DKJ-50                     | 2"     |  | MPJ-50                               | 2"     |
|   | DKJ-64                     | 2-1/2" |  | MPJ-64                               | 2-1/2" |
|   | DKJ-75                     | 3"     |  | MPJ-75                               | 3"     |
|   | DKJ-100                    | 4"     |  | MPJ-100                              | 4"     |

**Flexible Conduit Connector -- 90°**      **Flex to Tube/ Flex to Flex /Tube to**

|  | Zinc Die Cast -Flex To Box |        |  | Tube Compression Coupling         |        |
|---|----------------------------|--------|--|-----------------------------------|--------|
|   | CODE                       | SIZE   |  | Zinc die cast -flex to EMT /rigid |        |
|   | DWJ-12                     | 3/8"   |  | CODE                              | SIZE   |
|   | DWJ-15                     | 1/2"   |  | DGJ-15FT/FF/TT                    | 1/2"   |
|   | DWJ-20                     | 3/4"   |  | DGJ-20FT/FF/TT                    | 3/4"   |
|   | DWJ-25                     | 1"     |  | DGJ-25FT/FF/TT                    | 1"     |
|   | DWJ-32                     | 1-1/4" |  | DGJ-32FT/FF/TT                    | 1-1/4" |
|   | DWJ-38                     | 1-1/2" |  | DGJ-38FT/FF/TT                    | 1-1/2" |
|   | DWJ-50                     | 2"     |  | DGJ-50FT/FF/TT                    | 2"     |
|   | DWJ-64                     | 2-1/2" |  |                                   |        |
|   | DWJ-75                     | 3"     |  |                                   |        |
|   | DWJ-100                    | 4"     |  |                                   |        |

软管接头系列 Metal Hose Fitting Series

# PVC 护套

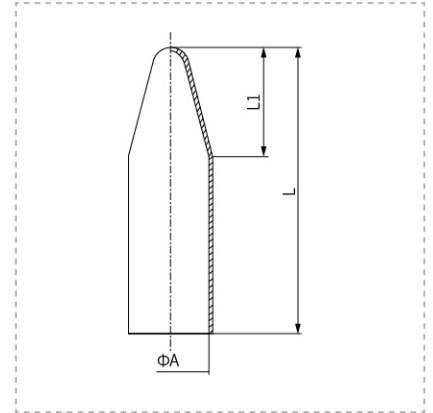
PVC Sheath

HX-PVC

CE ROHS IP68 REACH

用于保护格兰头外表尽可能减少灰尘或外物在格兰头上的聚集, 标准材质为 PVC, 标准颜色为黑色。软质 PVC 具有阻燃性和环保性, 我们可以提供定制化的低烟无卤。

Used to protect the appearance of the cable gland, minimizing the accumulation of dust or foreign objects on the cable gland. The standard material is PVC and the standard color is black. Soft PVC is flame retardant and environmentally friendly. We can provide customized low-smoke halogen-free products.



| 适配格兰仅供参考 Fit Gran is for reference only |        |          | Φ/A<br>mm | L<br>mm | L1<br>mm | 产品编号<br>Code |
|---|--------|----------|-----------|---------|----------|--------------|
| M                                       | G      | NPT      |           |         |          |              |
| M12                                     | /      | /        | 17        | 99      | 30       | HX-PVC.Φ17   |
| M16                                     | /      | /        | 19.5      | 103     | 40       | HX-PVC.Φ19.5 |
| M16                                     | G1/2   | NPT1/2   | 24        | 110     | 40       | HX-PVC.Φ24   |
| M20                                     | G1/2   | NPT1/2   | 25        | 115     | 45       | HX-PVC.Φ25   |
| M20                                     | G1/2   | NPT1/2   | 26.8      | 105     | 47       | HX-PVC.Φ26.8 |
| M20                                     | G1/2   | NPT1/2   | 27        | 117     | 37       | HX-PVC.Φ27   |
| M25                                     | G3/4   | NPT3/4   | 33        | 120     | 55       | HX-PVC.Φ33   |
| M25                                     | G3/4   | NPT3/4   | 34        | 130     | 50       | HX-PVC.Φ34   |
| M32                                     | G1     | NPT1     | 38        | 130     | 50       | HX-PVC.Φ38   |
| M32                                     | G1     | NPT1     | 40        | 140     | 50       | HX-PVC.Φ40   |
| M40                                     | G1 1/4 | NPT1 1/4 | 48.5      | 145     | 55       | HX-PVC.Φ48.5 |
| M40                                     | G1 1/4 | NPT1 1/4 | 51        | 135     | 55       | HX-PVC.Φ51   |
| M50                                     | G1 1/2 | NPT1 1/2 | 58.5      | 150     | 61       | HX-PVC.Φ58.5 |
| M50                                     | G1 1/2 | NPT1 1/2 | 60.5      | 185     | 65       | HX-PVC.Φ60.5 |
| M63                                     | G2     | NPT2     | 71.5      | 165     | 65       | HX-PVC.Φ71.5 |
| M63                                     | G2     | NPT2     | 73        | 210     | 67       | HX-PVC.Φ73   |
| M72                                     | G2 1/2 | NPT2 1/2 | 82        | 180     | 75       | HX-PVC.Φ82   |
| M75                                     | G2 1/2 | NPT2 1/2 | 88        | 200     | 70       | HX-PVC.Φ88   |
| M88                                     | G3     | NPT3     | 98        | 213     | 78       | HX-PVC.Φ98   |
| M88                                     | G3     | NPT3     | 108       | 205     | 85       | HX-PVC.Φ108  |
| M100                                    | G3 1/2 | NPT3 1/2 | 115       | 195     | 85       | HX-PVC.Φ115  |
| M110                                    | G4     | NPT4     | 128       | 225     | 90       | HX-PVC.Φ128  |
| M115                                    | G4     | NPT4     | 135       | 230     | 95       | HX-PVC.Φ135  |
| /                                       | /      | /        | 145       | 250     | 100      | HX-PVC.Φ145  |



# 接地片

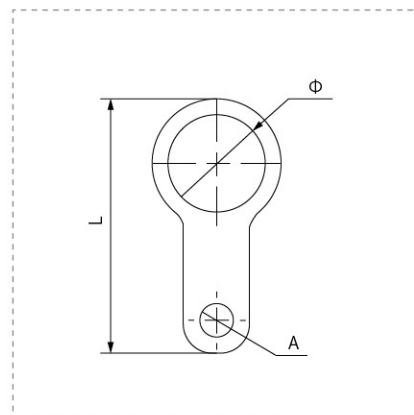
Grounding Plate

HX-PVC

CE ROHS IP68 REACH

接地片主要用于电气连接和接地,起到安全接地以防止触电事故、降低设备外壳电位、信号接地以提供稳定参考电位、减少电磁干扰等作用。

The grounding strip is mainly used for electrical connection and grounding. It plays a role in safety grounding to prevent electric shock accidents, reduce the potential of equipment enclosures, provide a stable reference potential for signal grounding, and reduce electromagnetic interference.



| 适配格兰仅供参考<br>Fit Gran is for reference only | Φ   | A  | L     | 厚度<br>Thickness | 产品编号<br>Code |
|--|-----|----|-------|-----------------|--------------|
| M  |     |    |       |                 |              |
| M12  | 12  | 6  | 38.5  | 1.0             | HX-JDP.Φ12   |
| M16  | 16  | 6  | 44.0  | 1.0             | HX-JDP.Φ16   |
| M20  | 20  | 6  | 48.0  | 1.0             | HX-JDP.Φ25   |
| M25  | 25  | 6  | 57.0  | 1.0             | HX-JDP.Φ25   |
| M32  | 32  | 6  | 67.0  | 1.0             | HX-JDP.Φ32   |
| M40  | 40  | 6  | 77.0  | 1.0             | HX-JDP.Φ40   |
| M50  | 50  | 8  | 90.5  | 1.5             | HX-JDP.Φ50   |
| M63  | 63  | 8  | 114.0 | 1.5             | HX-JDP.Φ63   |
| M75  | 75  | 8  | 131.0 | 1.5             | HX-JDP.Φ75   |
| M90  | 90  | 10 | 158.0 | 2.0             | HX-JDP.Φ90   |
| M100                                       | 100 | 10 | 189.0 | 2.0             | HX-JDP.Φ100  |



# 金属扩增环

Metal Enlarger

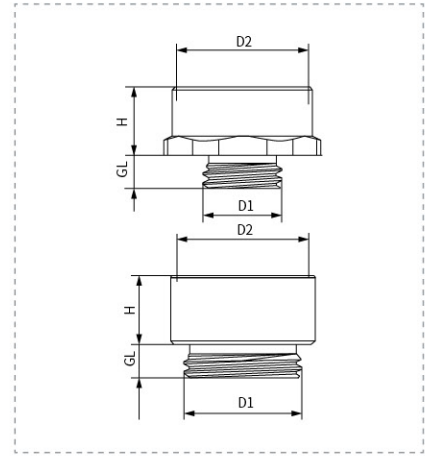


M / PG

CE ROHS

材质: 镀镍黄铜  
 防水圈: 三元乙丙、硅橡胶等  
 防水等级: IP54  
 工作温度: 静态: -60°C至 100°C 短时间 120°C  
 动态: -20°C至 80°C短时间 100°C

Material: Nickel-plated brass  
 O-Ring: EPDM, Silicone rubber  
 Protection degree: IP54  
 Temperature: Static state: -60 to 100°C, Short time to 120°C  
 Dynamic state: -20°C to 80°C, Short time to 100°C



| 规格<br>Item  | 螺纹 Thread |          | 螺纹长度<br>GL | 高度 H<br>Joint Length | 扳手径<br>Spanner size | 产品编号<br>Code      |
|-------------|-----------|----------|------------|----------------------|---------------------|-------------------|
|             | Outer-D1  | Inner-D2 |            |                      |                     |                   |
| M12-M16     | M12×1.5   | M16×1.5  | 5          | 10.5                 | 18                  | HX-RE.M12-M16     |
| M16-M20     | M16×1.5   | M20×1.5  | 5          | 10.5                 | 22                  | HX-RE.M16-M20     |
| M20-M25     | M20×1.5   | M25×1.5  | 6          | 11.5                 | 27                  | HX-RE.M20-M25     |
| M25-M32     | M25×1.5   | M32×1.5  | 7          | 12                   | 35                  | HX-RE.M25-M32     |
| M32-M40     | M32×1.5   | M40×1.5  | 7          | 13                   | 42                  | HX-RE.M32-M40     |
| M40-M50     | M40×1.5   | M50×1.5  | 8          | 16                   | 52                  | HX-RE.M40-M50     |
| M50-M63     | M50×1.5   | M63×1.5  | 9          | 17                   | 68                  | HX-RE.M50-M63     |
| PG7-PG9     | PG7       | PG9      | 5          | 10                   | 17                  | HX-RE.PG7-PG9     |
| PG9-PG11    | PG9       | PG11     | 6          | 10.5                 | 20                  | HX-RE.PG9-PG11    |
| PG11-PG13.5 | PG11      | PG13.5   | 6          | 12.5                 | 22                  | HX-RE.PG11-PG13.5 |
| PG13.5-PG16 | PG13.5    | PG16     | 6.5        | 11                   | 24                  | HX-RE.PG13.5-PG16 |
| PG16-PG21   | PG16      | PG21     | 6.5        | 14.5                 | 30                  | HX-RE.PG16-PG21   |
| PG21-PG29   | PG21      | PG29     | 8          | 11                   | 39                  | HX-RE.PG21-PG29   |
| PG29-PG36   | PG29      | PG36     | 8          | 14                   | 50                  | HX-RE.PG29-PG36   |
| PG36-PG42   | PG36      | PG42     | 9          | 15                   | 57                  | HX-RE.PG36-PG42   |
| PG42-PG48   | PG42      | PG48     | 9          | 16                   | 64                  | HX-RE.PG42-PG48   |



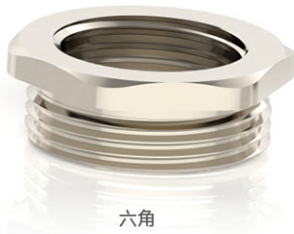
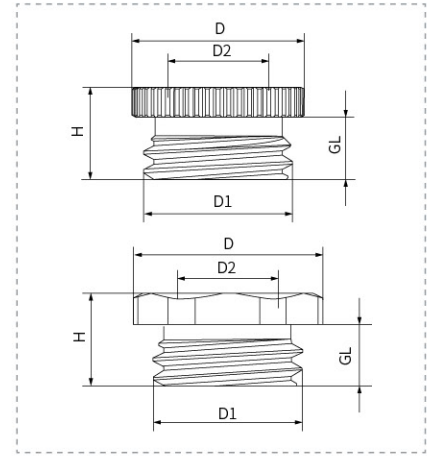
配套附件系列 Other Matched Accessories Series

M / PG

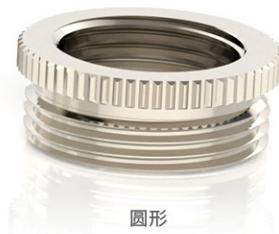
CE ROHS

材质: 镀镍黄铜  
防水圈: 三元乙丙、硅橡胶等  
防水等级: IP54  
工作温度: 静态: -60°C至 100°C 短时间 120°C  
动态: -20°C至 80°C短时间 100°C

Material: Nickel-plated brass  
O-Ring: EPDM, Silicone rubber  
Protection degree: IP54  
Temperature: Static state: -60 to 100°C, Short time to 120°C  
Dynamic state: -20°C to 80°C, Short time to 100°C



六角  
Hexagonal



圆形  
Round

| 规格<br>Item  | 螺纹 Thread |          | 螺纹长度<br>GL | 高度 H<br>Joint Length | 扳手径<br>Spanner size | 产品编号<br>Code      |
|-------------|-----------|----------|------------|----------------------|---------------------|-------------------|
|             | Outer-D1  | Inner-D2 |            |                      |                     |                   |
| M16-M12     | M16×1.5   | M12×1.5  | 5          | 7.5                  | 18                  | HX-RE.M16-M12     |
| M20-M16     | M20×1.5   | M16×1.5  | 6          | 9                    | 22                  | HX-RE.M20-M16     |
| M25-M20     | M25×1.5   | M20×1.5  | 7          | 10                   | 27                  | HX-RE.M25-M20     |
| M32-M25     | M32×1.5   | M25×1.5  | 8          | 11                   | 35                  | HX-RE.M32-M25     |
| M40-M32     | M40×1.5   | M32×1.5  | 8          | 11.5                 | 45                  | HX-RE.M40-M32     |
| M50-M40     | M50×1.5   | M40×1.5  | 9          | 12.5                 | 55                  | HX-RE.M50-M40     |
| M63-M50     | M63×1.5   | M50×1.5  | 10         | 14                   | 68                  | HX-RE.M63-M50     |
| PG9-PG7     | PG9       | PG7      | 6          | 8.5                  | 17                  | HX-RE.PG9-PG7     |
| PG11-PG9    | PG11      | PG9      | 6          | 8.5                  | 20                  | HX-RE.PG11-PG9    |
| PG13.5-PG11 | PG13.5    | PG11     | 6.5        | 9                    | 22                  | HX-RE.PG13.5-PG11 |
| PG16-PG13.5 | PG16      | PG13.5   | 6.5        | 9.5                  | 24                  | HX-RE.PG16-PG13.5 |
| PG21-PG16   | PG21      | PG16     | 7.0        | 10.0                 | 30                  | HX-RE.PG21-PG16   |
| PG29-PG21   | PG29      | PG21     | 8          | 11.5                 | 40                  | HX-RE.PG29-PG21   |
| PG36-PG29   | PG36      | PG29     | 9          | 12.5                 | 50                  | HX-RE.PG36-PG29   |
| PG42-PG36   | PG42      | PG36     | 10         | 14                   | 57                  | HX-RE.PG42-PG36   |
| PG48-PG42   | PG48      | PG42     | 10         | 14                   | 64                  | HX-RE.PG48-PG42   |



# 金属内螺纹连接套

Metal female threaded connection sleeve

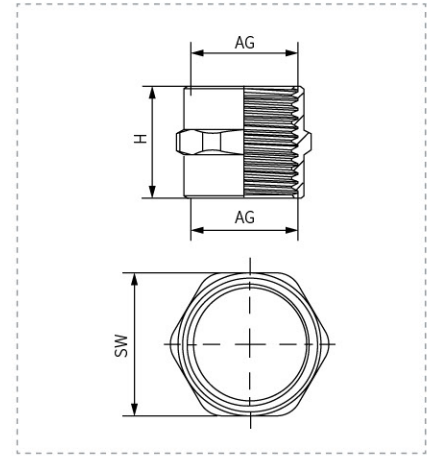


M/PG/G

CE ROHS IP55 REACH

材质: 黄铜镀镍 / 不锈钢 / 铝合金  
性能: 通过 ROHS 测试

Material: Brass Nickel-Plated/Stainless Steel/Aluminum Alloy  
Surface Treatment: Passed ROHS Test



## 规格参数 单位: mm

| 内螺纹规格 AG<br>Inner Thread | 总长度 L<br>Total Length | 扳手尺寸 SW<br>Wrench Size | 产品编号<br>Code | 内螺纹规格 AG<br>Inner Thread | 总长度 L<br>Total Length | 扳手尺寸 SW<br>Wrench Size | 产品编号<br>Code  |
|--------------------------|-----------------------|------------------------|--------------|--------------------------|-----------------------|------------------------|---------------|
| M10×1.5                  | 16                    | 12                     | HX-LJT.M10   | PG7                      | 15                    | 15                     | HX-LJT.PG7    |
| M12×1.5                  | 16                    | 14                     | HX-LJT.M12   | PG9                      | 15                    | 18                     | HX-LJT.PG9    |
| M16×1.5                  | 18                    | 18                     | HX-LJT.M16   | PG11                     | 18                    | 22                     | HX-LJT.PG11   |
| M18×1.5                  | 22                    | 21                     | HX-LJT.M18   | PG13.5                   | 22                    | 24                     | HX-LJT.PG13.5 |
| M20×1.5                  | 22                    | 23                     | HX-LJT.M20   | PG16                     | 22                    | 26                     | HX-LJT.PG16   |
| M24×1.5                  | 22                    | 27                     | HX-LJT.M24   | PG21                     | 24                    | 32                     | HX-LJT.PG21   |
| M25×1.5                  | 22                    | 28                     | HX-LJT.M25   | PG29                     | 30                    | 40                     | HX-LJT.PG29   |
| M27×1.5                  | 22                    | 30                     | HX-LJT.M27   | PG36                     | 35                    | 50                     | HX-LJT.PG36   |
| M32×1.5                  | 24                    | 36                     | HX-LJT.M32   | PG48                     | 42                    | 65                     | HX-LJT.PG48   |
| M36×1.5                  | 28                    | 40                     | HX-LJT.M36   | G1/4                     | 18                    | 17                     | HX-LJT.G1/4   |
| M40×1.5                  | 30                    | 45                     | HX-LJT.M40   | G3/8                     | 20                    | 20                     | HX-LJT.G3/8   |
| M48×1.5                  | 35                    | 52                     | HX-LJT.M48   | G1/2                     | 22                    | 24                     | HX-LJT.G1/2   |
| M50×1.5                  | 35                    | 55                     | HX-LJT.M50   | G3/4                     | 24                    | 30                     | HX-LJT.G3/4   |
| M63×1.5                  | 42                    | 70                     | HX-LJT.M63   | G1                       | 24                    | 38                     | HX-LJT.G1     |
|                          |                       |                        |              | G1-1/4                   | 26                    | 45                     | HX-LJT.G1-1/4 |
|                          |                       |                        |              | G1-1/2                   | 30                    | 52                     | HX-LJT.G1-1/2 |
|                          |                       |                        |              | G2                       | 38                    | 65                     | HX-LJT.G2     |
|                          |                       |                        |              | G2-1/2                   | 38                    | 80                     | HX-LJT.G2-1/2 |
|                          |                       |                        |              | G3                       | 40                    | 100                    | HX-LJT.G3     |



配套附件系列 Other Matched Accessories Series

# 金属塞帽

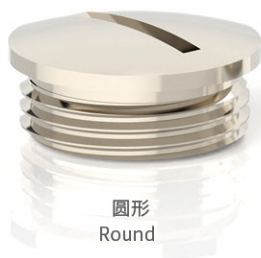
Metal Plug Cap

M / PG

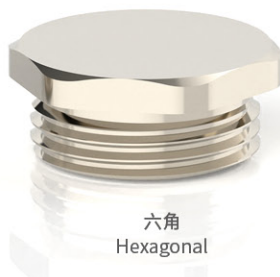
CE ROHS

材质: 镀镍黄铜  
防水圈: 三元乙丙、硅橡胶等  
防水等级: IP54  
工作温度: 静态: -60°C至 100°C 短时间 120°C  
动态: -20°C至 80°C短时间 100°C

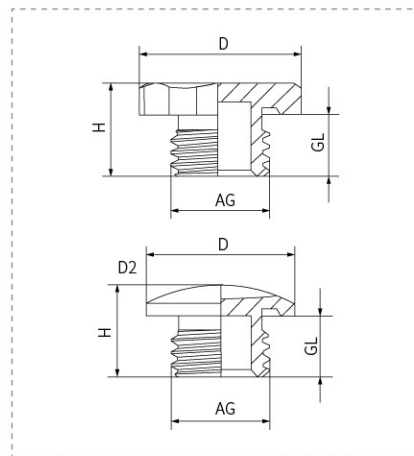
Material: Nickel-plated brass  
O-Ring: EPDM, Silicone rubber  
Protection degree: IP54  
Temperature: Static state: -60 to 100°C, Short time to 120°C  
Dynamic state: -20°C to 80°C, Short time to 100°C



圆形  
Round



六角  
Hexagonal



| 规格<br>Item | 螺纹长度<br>GL | 高度 H<br>Joint Length | 扳手径<br>Spanner Size | 产品编号<br>Code |
|------------|------------|----------------------|---------------------|--------------|
| PG7        | 5          | 8                    | 14                  | HX-SC.PG7    |
| PG9        | 6          | 9                    | 18                  | HX-SC.PG9    |
| PG11       | 6          | 9                    | 20                  | HX-SC.PG11   |
| PG13.5     | 6.5        | 9.5                  | 22                  | HX-SC.PG13.5 |
| PG16       | 6.5        | 9.5                  | 24                  | HX-SC.PG16   |
| PG21       | 7.5        | 11                   | 30                  | HX-SC.PG21   |
| PG29       | 8          | 12                   | 40                  | HX-SC.PG29   |
| PG36       | 9          | 15                   | 52                  | HX-SC.PG36   |
| PG42       | 10         | 16                   | 57                  | HX-SC.PG42   |
| PG48       | 10         | 16                   | 64                  | HX-SC.PG48   |
| M8×1       | 5          | 7.5                  | 12                  | HX-SC.M8     |
| M10×1      | 5          | 8                    | 12                  | HX-SC.M10    |
| M12×1.5    | 5          | 8                    | 14                  | HX-SC.M12    |
| M16×1.5    | 6          | 9                    | 18                  | HX-SC.M16    |
| M18×1.5    | 6          | 9                    | 20                  | HX-SC.M18    |
| M20×1.5    | 6.5        | 9.5                  | 22                  | HX-SC.M20    |
| M22×1.5    | 6.5        | 9.5                  | 24                  | HX-SC.M22    |
| M24×1.5    | 6.5        | 10                   | 27                  | HX-SC.M24    |
| M25×1.5    | 6.5        | 10                   | 27                  | HX-SC.M25    |
| M30×1.5    | 6.5        | 10                   | 35                  | HX-SC.M30    |
| M32×1.5    | 7          | 11                   | 35                  | HX-SC.M32    |
| M36×1.5    | 8          | 12                   | 40                  | HX-SC.M36    |
| M40×1.5    | 8          | 13                   | 45                  | HX-SC.M40    |
| M50×1.5    | 9          | 15                   | 55                  | HX-SC.M50    |
| M60×1.5    | 10         | 16                   | 64                  | HX-SC.M60    |
| M63×1.5    | 10         | 16                   | 68                  | HX-SC.M63    |
| M72×2      | 10         | 16                   | 78                  | HX-SC.M72    |





# 尼龙塞帽

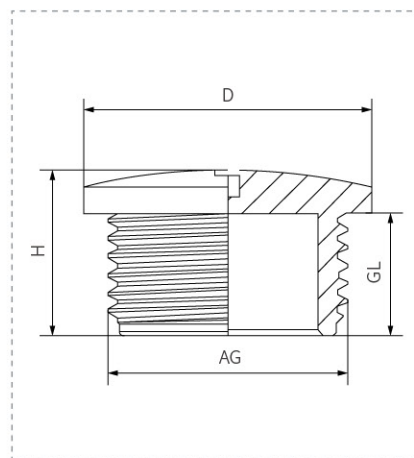
Nylon Plug Cap

M / PG

CE ROHS

材质: 尼龙材料 PA66  
O 型圈: 三元乙丙、硅橡胶等  
工作温度: 静态: -60°C至 100°C 短时间 120°C  
动态: -20°C至 80°C 短时间 100°C  
颜色定制: 灰色、黑色其他颜色可定制

Material: Nylon material PA66  
O-Ring: EPDM, Silicone rubber  
Temperature: Static state: -60 to 100°C, Short time to 120°C  
Dynamic state: -20°C to 80°C, Short time to 100°C  
Color customization: Grey, Black, other color customized



| 型号<br>Model | 螺纹尺寸<br>Thread size | 螺纹长度<br>GL | 螺纹外径<br>Thread O.D. | 主体尺寸<br>Body size | 扳手尺寸<br>Spanner size | 产品编号<br>Code   |
|-------------|---------------------|------------|---------------------|-------------------|----------------------|----------------|
| M12         | M12x1.5             | 8.5        | 12                  | 12.5              | 15                   | HX-NLSC.M12    |
| M16         | M16x1.5             | 8.5        | 16                  | 13.0              | 19                   | HX-NLSC.M16    |
| M18         | M18x1.5             | 9.0        | 18                  | 13.0              | 22                   | HX-NLSC.M18    |
| M20         | M20x1.5             | 9.0        | 20                  | 13.0              | 25                   | HX-NLSC.M20    |
| M22         | M22x1.5             | 10.5       | 22                  | 15.0              | 27                   | HX-NLSC.M22    |
| M25         | M25x1.5             | 10.5       | 25                  | 15.5              | 29                   | HX-NLSC.M25    |
| M32         | M32x1.5             | 10.5       | 32                  | 16.0              | 38                   | HX-NLSC.M32    |
| M40         | M40x1.5             | 11.5       | 40                  | 18.0              | 46                   | HX-NLSC.M40    |
| M50         | M50x1.5             | 13.5       | 50                  | 18.0              | 56                   | HX-NLSC.M50    |
| M63         | M63x1.5             | 14.0       | 63                  | 19.0              | 68                   | HX-NLSC.M63    |
| PG7         | PG7                 | 8.5        | 12.5                | 12.5              | 15                   | HX-NLSC.PG7    |
| PG9         | PG9                 | 8.5        | 15.2                | 13.0              | 19                   | HX-NLSC.PG9    |
| PG11        | PG11                | 9.0        | 18.6                | 13.0              | 22                   | HX-NLSC.PG11   |
| PG13.5      | PG13.5              | 9.0        | 20.4                | 13.0              | 25                   | HX-NLSC.PG13.5 |
| PG16        | PG16                | 10.5       | 22.5                | 15.0              | 27                   | HX-NLSC.PG16   |
| PG21        | PG21                | 10.5       | 28.3                | 15.5              | 33                   | HX-NLSC.PG21   |
| PG29        | PG29                | 11.5       | 37.0                | 16.0              | 44                   | HX-NLSC.PG29   |
| PG36        | PG36                | 13.5       | 47.0                | 18.0              | 55                   | HX-NLSC.PG36   |
| PG42        | PG42                | 13.5       | 54.0                | 18.5              | 62                   | HX-NLSC.PG42   |
| PG48        | PG48                | 14.5       | 59.3                | 19.5              | 68                   | HX-NLSC.PG48   |



# 螺母

Locknut

M / PG / G / NPT

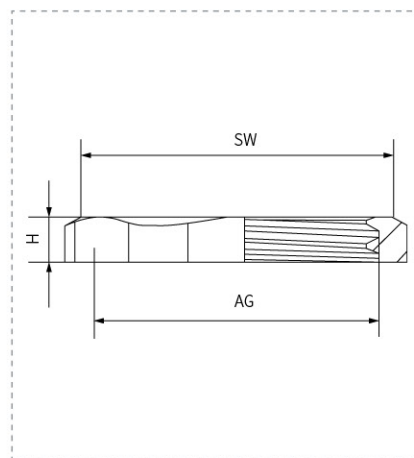
CE ROHS

材质: 镀镍黄铜

应用: 螺纹连接或机板开孔螺母固定

Material: Nickel-plated brass

Application: For use with most electrical fittings



| 规格<br>Item | 产品编号<br>Code | 厚度 (H)<br>Thickness | 扳手径 (SW)<br>Spanner size |
|------------|--------------|---------------------|--------------------------|
| M12*1.5    | HX-LN.M12    | 3                   | 14                       |
| M14*1.5    | HX-LN.M14    | 3                   | 17                       |
| M16*1.5    | HX-LN.M16    | 3                   | 18                       |
| M18*1.5    | HX-LN.M18    | 3                   | 20                       |
| M20*1.5    | HX-LN.M20    | 3                   | 22                       |
| M22*1.5    | HX-LN.M22    | 3.2                 | 24                       |
| M24*1.5    | HX-LN.M24    | 3.5                 | 27                       |
| M25*1.5    | HX-LN.M25    | 3.5                 | 27                       |
| M27*1.5    | HX-LN.M27    | 4                   | 30                       |
| M30*1.5    | HX-LN.M30    | 4                   | 32                       |
| M32*1.5    | HX-LN.M32    | 4                   | 35                       |
| M33*1.5    | HX-LN.M33    | 4                   | 36                       |
| M36*1.5    | HX-LN.M36    | 4                   | 40                       |
| M37*1.5    | HX-LN.M37    | 4                   | 40                       |
| M40*1.5    | HX-LN.M40    | 4.5                 | 45                       |
| M42*1.5    | HX-LN.M42    | 5                   | 45                       |
| M47*1.5    | HX-LN.M47    | 5.5                 | 50                       |
| M48*1.5    | HX-LN.M48    | 5.5                 | 52                       |
| M50*1.5    | HX-LN.M50    | 5.5                 | 55                       |
| M54*1.5    | HX-LN.M54    | 5.5                 | 57                       |
| M60*1.5    | HX-LN.M60    | 6                   | 64                       |
| M63*1.5    | HX-LN.M63    | 6                   | 68                       |
| M64*2      | HX-LN.M64    | 6                   | 68                       |
| M72*2      | HX-LN.M72    | 8.5                 | 78                       |
| M75*2      | HX-LN.M75    | 8.5                 | 78                       |
| M80*2      | HX-LN.M80    | 9                   | 88                       |
| M88*2      | HX-LN.M88    | 9                   | 94                       |
| M100*2     | HX-LN.M100   | 9                   | 110                      |

| 规格<br>Item | 产品编号<br>Code   | 厚度 (H)<br>Thickness | 扳手径 (SW)<br>Spanner size |
|------------|----------------|---------------------|--------------------------|
| PG7        | HX-LN.PG7      | 3                   | 15                       |
| PG9        | HX-LN.PG9      | 3                   | 18                       |
| PG11       | HX-LN.PG11     | 3                   | 21                       |
| PG13.5     | HX-LN.PG13.5   | 3                   | 23                       |
| PG16       | HX-LN.PG16     | 3.2                 | 25                       |
| PG19       | HX-LN.P19      | 3.5                 | 27                       |
| PG21       | HX-LN.PG21     | 4                   | 30                       |
| PG25       | HX-LN.PG25     | 4                   | 35                       |
| PG29       | HX-LN.PG29     | 4                   | 40                       |
| PG36       | HX-LN.PG36     | 5.5                 | 50                       |
| PG42       | HX-LN.PG42     | 6                   | 57                       |
| PG48       | HX-LN.PG48     | 6.5                 | 64                       |
| PG63       | HX-LN.PG63     | 8.5                 | 78                       |
| G1/2       | HX-LN.G1/2     | 3                   | 23                       |
| G3/4       | HX-LN.G3/4     | 4                   | 30                       |
| G1         | HX-LN.G1       | 4                   | 40                       |
| G1-1/4     | HX-LN.G1-1/4   | 5.5                 | 50                       |
| G1-1/2     | HX-LN.G1-1/2   | 5.5                 | 57                       |
| G2         | HX-LN.G2       | 6                   | 64                       |
| G2-1/2     | HX-LN.G2-1/2   | 8.5                 | 78                       |
| G3         | HX-LN.G3       | 9                   | 94                       |
| NPT1/2     | HX-LN.NPT1/2   | 3                   | 23                       |
| NPT3/4     | HX-LN.NPT3/4   | 4                   | 30                       |
| NPT1       | HX-LN.NPT1     | 4                   | 40                       |
| NPT1-1/4   | HX-LN.NPT1-1/4 | 5.5                 | 50                       |
| NPT1-1/2   | HX-LN.NPT1-1/2 | 5.5                 | 57                       |
| NPT2       | HX-LN.NPT2     | 6                   | 64                       |
| NPT2-1/2   | HX-LN.NPT2-1/2 | 8.5                 | 78                       |
| NPT3       | HX-LN.NPT3     | 9                   | 94                       |



# 防磁型螺母

EMC Locknut



M / PG / G / NPT

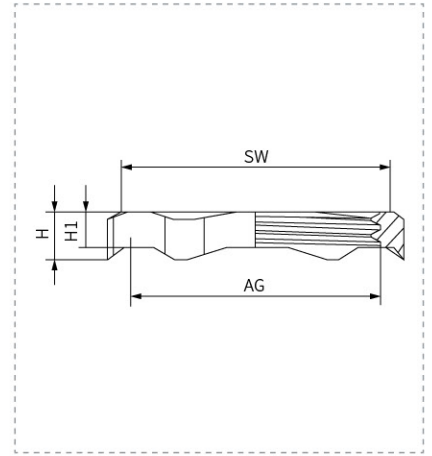
CE ROHS

材质: 镀镍黄铜

应用: 螺纹连接或机板开孔螺母固定

Material: Nickel-plated brass

Application: For use with most electrical fittings



| 规格 Item | 产品编号 Code    | 厚度 (H) Thickness | 厚度 (H1) Thickness | 扳手径 (SW) Spanner size |
|---------|--------------|------------------|-------------------|-----------------------|
| M12*1.5 | HX-LN.M12EMC | 4                | 3                 | 14                    |
| M14*1.5 | HX-LN.M14EMC | 4                | 3                 | 17                    |
| M16*1.5 | HX-LN.M16EMC | 4                | 3                 | 18                    |
| M18*1.5 | HX-LN.M18EMC | 4                | 3                 | 20                    |
| M20*1.5 | HX-LN.M20EMC | 4                | 3                 | 22                    |
| M22*1.5 | HX-LN.M22EMC | 4.2              | 3.2               | 24                    |
| M24*1.5 | HX-LN.M24EMC | 4.5              | 3.5               | 27                    |
| M25*1.5 | HX-LNM25EMC  | 4.5              | 3.5               | 27                    |
| M27*1.5 | HX-LNM27EMC  | 5                | 4                 | 30                    |
| M30*1.5 | HX-LNM30EMC  | 5                | 4                 | 32                    |
| M32*1.5 | HX-LNM32EMC  | 5                | 4                 | 35                    |
| M33*1.5 | HX-LNM33EMC  | 5                | 4                 | 36                    |
| M36*1.5 | HX-LNM36EMC  | 5                | 4                 | 40                    |
| M37*1.5 | HX-LNM37EMC  | 5                | 4                 | 40                    |
| M40*1.5 | HX-LNM40EMC  | 5.5              | 4.5               | 45                    |
| M42*1.5 | HX-LNM42EMC  | 6                | 5                 | 45                    |
| M47*1.5 | HX-LNM47EMC  | 6.5              | 5.5               | 50                    |
| M48*1.5 | HX-LNM48EMC  | 6.5              | 5.5               | 52                    |
| M50*1.5 | HX-LNM50EMC  | 6.5              | 5.5               | 55                    |
| M54*1.5 | HX-LNM54EMC  | 6.5              | 5.5               | 57                    |
| M60*1.5 | HX-LNM60EMC  | 6                | 6                 | 64                    |
| M63*1.5 | HX-LNM63EMC  | 7                | 6                 | 68                    |
| M64*2   | HX-LNM64EMC  | 7                | 6                 | 68                    |
| M72*2   | HX-LNM72EMC  | 10               | 9                 | 78                    |
| M75*2   | HX-LNM75EMC  | 10               | 9                 | 78                    |
| M80*2   | HX-LNM80EMC  | 10               | 9                 | 88                    |
| M88*2   | HX-LNM88EMC  | 11               | 10                | 95                    |
| M100*2  | HX-LNM100EMC | 11               | 10                | 110                   |

| 规格 Item  | 产品编号 Code         | 厚度 (H) Thickness | 厚度 (H1) Thickness | 扳手径 (SW) Spanner size |
|----------|-------------------|------------------|-------------------|-----------------------|
| PG7      | HX-LN.PG7/EMC     | 4                | 3                 | 15                    |
| PG9      | HX-LN.PG9/EMC     | 4                | 3                 | 18                    |
| PG11     | HX-LN.PG11/EMC    | 4                | 3                 | 21                    |
| PG13.5   | HX-LN.PG13.5/EMC  | 4                | 3                 | 23                    |
| PG16     | HX-LN.PG16/EMC    | 4.2              | 3.2               | 25                    |
| PG21     | HX-LN.PG21/EMC    | 5                | 4                 | 30                    |
| PG29     | HX-LN.PG29/EMC    | 5                | 4                 | 40                    |
| PG36     | HX-LN.PG36/EMC    | 6.5              | 5.5               | 50                    |
| PG42     | HX-LN.PG42/EMC    | 6.5              | 5.5               | 57                    |
| PG48     | HX-LN.PG48/EMC    | 7                | 6                 | 64                    |
| G1/2     | HX-LN.G1/2EMC     | 4.5              | 3.5               | 23                    |
| G3/4     | HX-LN.G3/4EMC     | 5                | 4                 | 30                    |
| G1       | HX-LN.G1EMC       | 5.5              | 4.5               | 40                    |
| G1-1/4   | HX-LN.G1-1/4EMC   | 7                | 6                 | 50                    |
| G1-1/2   | HX-LN.G1-1/2EMC   | 7                | 6                 | 57                    |
| G2       | HX-LN.G2EMC       | 7                | 6                 | 64                    |
| G2-1/2   | HX-LN.G2-1/2EMC   | 8.5              | 8.5               | 78                    |
| G3       | HX-LN.G3EMC       | 10.5             | 9.5               | 94                    |
| NPT1/2   | HX-LN.NPT1/2EMC   | 4                | 3                 | 23                    |
| NPT3/4   | HX-LN.NPT3/4EMC   | 5                | 4                 | 30                    |
| NPT1     | HX-LN.NPT1EMC     | 5                | 4                 | 40                    |
| NPT1-1/4 | HX-LN.NPT1-1/4EMC | 6.5              | 5.5               | 50                    |
| NPT1-1/2 | HX-LN.NPT1-1/2EMC | 6.5              | 5.5               | 57                    |
| NPT2     | HX-LN.NPT2EMC     | 7                | 6                 | 64                    |
| NPT2-1/2 | HX-LN.NPT2-1/2EMC | 10               | 9                 | 80                    |
| NPT3     | HX-LN.NPT3EMC     | 10               | 9                 | 95                    |



配套附件系列 Other Matched Accessories Series

# 金属软管

Metal Flexible Pipe

PM / BM

CE ROHS

材质: 热浸镀锌钢板及特殊绝缘处理

外层: PVC(黑色抗紫外线,防老化)  
产品认证: 欧洲 CE, 欧洲环保 RoHS

防火等级: UL94V-0, 低烟无毒

颜色种类: 黑色或灰色

防护等级: IP68

使用方法: 先将电线穿入管内, 再配合金属软管  
固定头即可

Material: Hot dip galvanized steel plate and special insulation treatment

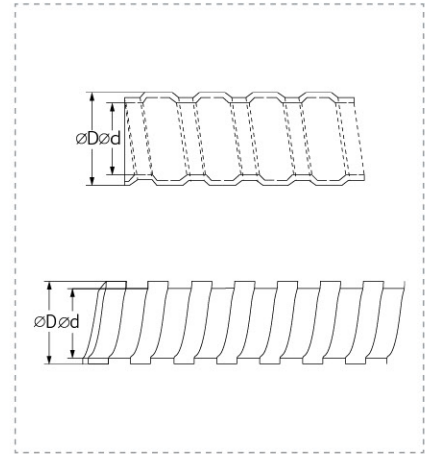
Out Material: PVC(black anti-ultraviolet, anti-aging)  
Product certification: European CE, European environmental protection RoHS

Fire rating: UL94v-0, low smoke non-toxic

Color: Black or Grey

Degree of protection: IP68

Usage: Put the wire into the tube, then tie the metal hose to the head



| 型号 Item No. |           | 规格 Trade Sizes |        | 内径 d<br>Inner Diameter | 外径 D<br>Outer Diameter | 弯曲半径<br>Bending Radius<br>mm ± 10% | 包装 M<br>Packing |
|-------------|-----------|----------------|--------|------------------------|------------------------|------------------------------------|-----------------|
| 黑色 Black    | 灰色 Gray   | 公制 M           | 英制 BSP |                        |                        |                                    |                 |
| HX-PM-01B   | HX-PM-01G | 6              | 3/16"  | 6.0±0.3                | 9.2±0.5                | 40                                 | 100M            |
| HX-PM-02B   | HX-PM-02G | 8              | 1/4"   | 8.0±0.3                | 11.8±0.5               | 45                                 | 100M            |
| HX-PM-03B   | HX-PM-03G | 10             | 5/16"  | 10.0±0.3               | 14.5±0.5               | 55                                 | 100M            |
| HX-PM-04B   | HX-PM-04G | 13             | 3/8"   | 12.5±0.3               | 16.8±0.5               | 65                                 | 100M            |
| HX-PM-05B   | HX-PM-05G | 16             | 1/2"   | 15.5±0.3               | 20.2±0.5               | 85                                 | 100M            |
| HX-PM-06B   | HX-PM-06G | 20             | 3/4"   | 20.0±0.3               | 25.0±0.5               | 100                                | 50M             |
| HX-PM-08B   | HX-PM-08G | 25             | 1"     | 25.0±0.3               | 30.7±0.5               | 120                                | 50M             |
| HX-PM-10B   | HX-PM-10G | 32             | 1 1/4" | 32.0±0.3               | 38.6±0.5               | 150                                | 25M             |
| HX-PM-12B   | HX-PM-12G | 38             | 1 1/2" | 38.0±1.0               | 44.6±1.0               | 180                                | 25M             |
| HX-PM-16B   | HX-PM-16G | 51             | 2"     | 51.0±1.0               | 59.0±1.0               | 220                                | 10M             |
| HX-PM-20B   | HX-PM-20G | 64             | 2 1/2" | 64.0±1.5               | 73.5±1.5               | 310                                | 10M             |
| HX-PM-24B   | HX-PM-24G | 75             | 3"     | 75.0±2.0               | 83.5±2.0               | 350                                | 10M             |
| HX-PM-32B   | HX-PM-32G | 100            | 4"     | 100.0±3.0              | 109.5±3.0              | 410                                | 10M             |
| HX-PM-36B   | HX-PM-36G | 125            | 5"     | 125.00±3.0             | 135.5±3.0              | 460                                | 5M              |
| HX-PM-38B   | HX-PM-38G | 150            | 6"     | 150.0±4.0              | 160.5±4.0              | 500                                | 5M              |



# 尼龙软管

Nylon Flexible Pipe

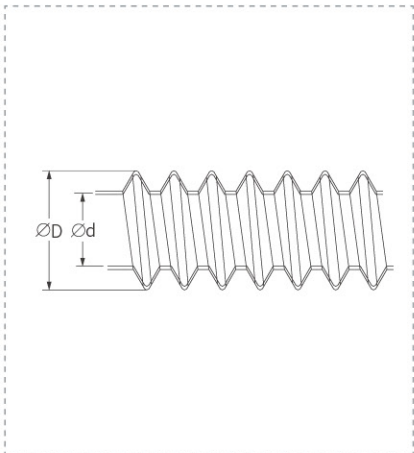


PA / PP / PE

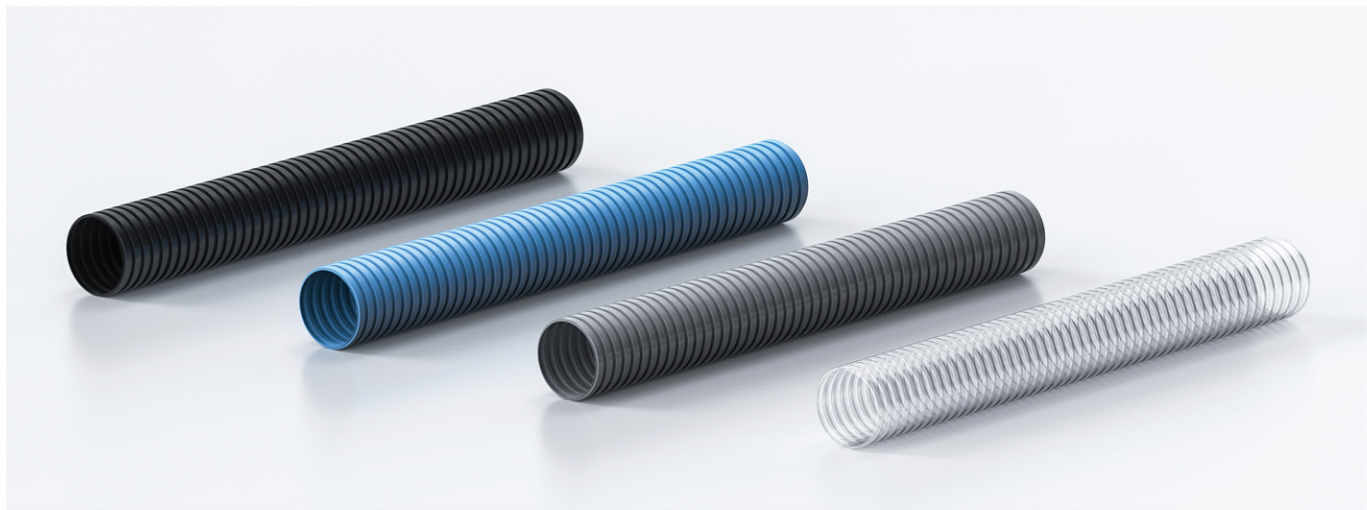
CE ROHS

材质: PP 聚丙烯  
 工作温度: -30°C -110°C, 短时达到 130°C  
 产品认证: 欧洲 CE, 欧洲环保 ROHS  
 可保护电线电缆不受外力磨损及绝缘  
 用途: 主要用于汽车线束行业, 本品硬度较高  
 说明: 本品 PP 材质硬度软管系列中高

Material: PP(Polypropylene)  
 temperature: - 30 °C - 110 °C , short time at 130 °C  
 Product certification: European CE, European environmental protection ROHS It can protect wire and cable from external wear and insulation.  
 Directions: It is mainly used in automobile wire harness industry  
 Description: high in PP material hardness hose serie



| 型号<br>code | 软管规格<br>Conduit Size |        | 内径 d<br>Inner Size | 外径 D<br>Outer Size | 弯曲半径<br>Bending Radius mm ±10% | 动态弯曲半径<br>Dynamic Bend Radius |
|------------|----------------------|--------|--------------------|--------------------|--------------------------------|-------------------------------|
| HX-PA-10.0 | AD10.0               | 1/4"   | 6.50               | 10.00              | 16                             | 35                            |
| HX-PA-11.6 | AD11.6               |        | 8.00               | 11.60              | 16                             | 35                            |
| HX-PA-13.0 | AD13.0               | 5/16"  | 10.00              | 13.00              | 20                             | 45                            |
| HX-PA-15.8 | AD15.8               | 3/8"   | 12.00              | 15.80              | 30                             | 60                            |
| HX-PA-18.5 | AD18.5               |        | 14.30              | 18.50              | 40                             | 70                            |
| HX-PA-21.2 | AD21.2               | 1/2"   | 17.00              | 21.20              | 45                             | 75                            |
| HX-PA-25.0 | AD25.0               |        | 20.00              | 25.00              | 45                             | 75                            |
| HX-PA-28.5 | AD28.5               | 3/4"   | 23.00              | 28.50              | 50                             | 110                           |
| HX-PA-34.5 | AD34.5               | 1"     | 29.00              | 34.50              | 60                             | 115                           |
| HX-PA-42.5 | AD42.5               | 1-1/4" | 36.00              | 42.50              | 70                             | 120                           |
| HX-PA-54.5 | AD54.5               | 2"     | 48.00              | 54.50              | 90                             | 150                           |



配套附件系列 Other Matched Accessories Series

# 波纹管固定架

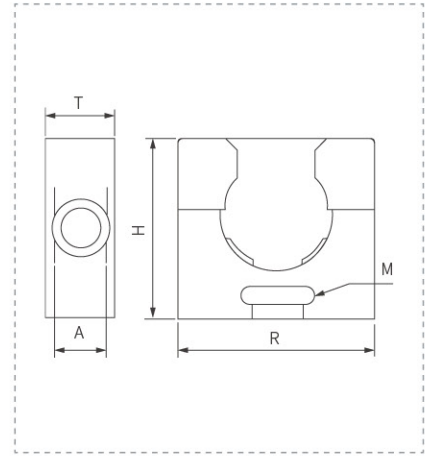
Bellows Fixed Frame

AD

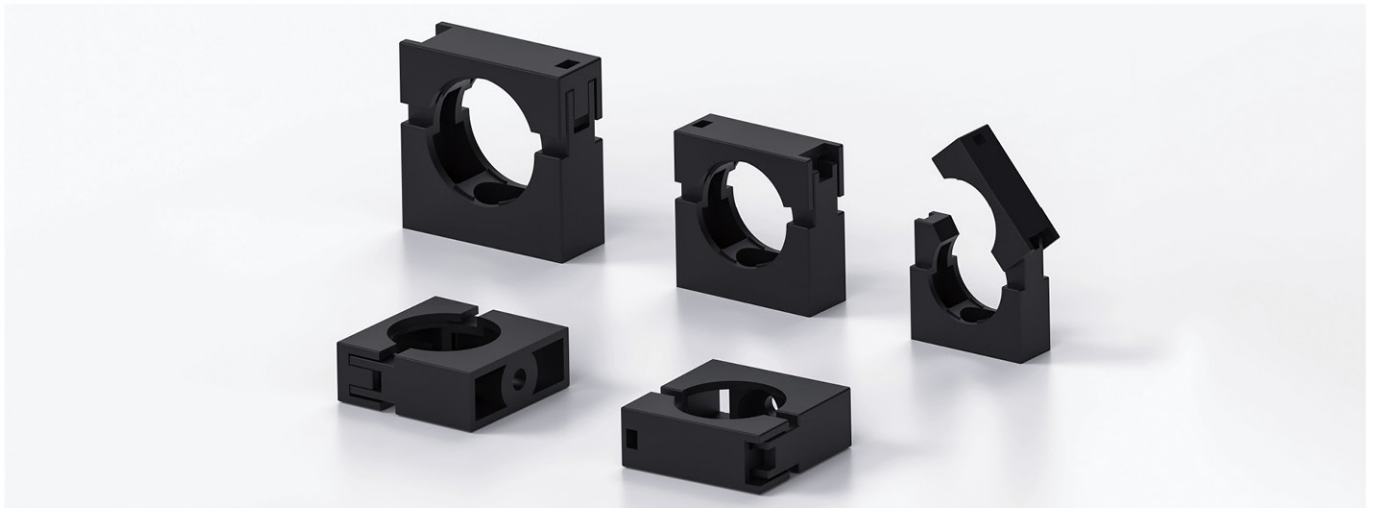
CE ROHS

材质: PA 尼龙  
 工作温度: -40°C ~+110°C  
 颜色: 黑色 (特殊颜色可以定做)  
 供应范围: 淘汰老旧带盖与不带盖两种市场分类,  
 采用美观衔接牢固整体新型设计

Material: PA(NYLON)  
 Temperature: -40°C to 100°C  
 Color: Black(other color can be customized)  
 Supply scope: Eliminate old one with cap or no cap,adopt firm new design



| 适配软管<br>Conduit size | R    | H    | T    | M   | A    | 产品编号<br>Code |
|----------------------|------|------|------|-----|------|--------------|
| AD10.0               | 25.0 | 26.0 | 12.5 | 4.0 | 6.5  | HX-NB.AD10   |
| AD13.0               | 30.0 | 26.0 | 12.5 | 4.0 | 6.5  | HX-NB.AD13   |
| AD15.8               | 30.0 | 26.0 | 12.5 | 5.0 | 6.5  | HX-NB.AD15.8 |
| AD18.5               | 35.0 | 33.0 | 15.0 | 6.0 | 6.5  | HX-NB.AD18.5 |
| AD21.2               | 35.0 | 34.0 | 15.0 | 6.0 | 6.5  | HX-NB.AD21.2 |
| AD25.0               | 42.0 | 38.0 | 16.0 | 6.0 | 11.5 | HX-NB.AD25   |
| AD28.5               | 42.0 | 42.0 | 16.0 | 6.0 | 11.5 | HX-NB.AD28.5 |
| AD34.5               | 51.0 | 49.0 | 16.0 | 6.0 | 11.5 | HX-NB.AD34.5 |
| AD42.5               | 58.0 | 57.0 | 18.0 | 6.0 | 11.5 | HX-NB.AD42.5 |
| AD54.5               | 73.0 | 70.0 | 20.0 | 7.0 | 12.0 | HX-NB.AD54.5 |



# HBRSG 低烟无卤环保热缩套管

HBRSG Low-Smoke And Halogen-Free Environmentally Friendly Heat Shrink Tube



## HBRSG

HBRSG 是一种环保型低烟无卤阻燃收缩套管, 燃烧时不常浓烟及二恶英类有害环境的物质, 符合 RoHs 等优点, 聚优良的阻燃、绝缘、耐高温性能、柔软有弹性, 可广泛用于地铁、高层建筑、公共设施等环保要求严格的领域。

HBRSG is an environmentally-friendly low-smoke and halogen-free flame-retardant shrink tube. No heavy smoke or dioxins which is harmful for environment, meet requirement of RoHs. With good performance of flame-retardant, insulation, heat-resisting, soft and elastic. Widely used in areas with strict environmental protection requirements, such as subways, high-rise buildings and public facilities.



### 规格参数 单位: mm

| 产品图片<br>Product pictures | 规格<br>Item | 收缩前内径<br>Inner dimension<br>(before heat-shrink) | 收缩后内径<br>Inner dimension<br>(after heat-shrink) | 收缩后壁厚<br>Wall thickness<br>(after heat-shrink) | 包装 (米 / 盘)<br>m/plate |
|--------------------------|------------|--|---|--|-----------------------|
|                          | 1.0/0.5    | 1.0±0.3  | 0.5±0.1   | 0.25±0.01                                      | 200                   |
|                          | 2.0/1.0    | 2.0±0.3  | 1.0±0.1   | 0.25±0.01                                      | 200                   |
|                          | 3.0/1.5    | 3.0±0.3  | 1.5±0.1   | 0.30±0.01                                      | 200                   |
|                          | 4.0/2.0    | 4.0±0.3  | 2.0±0.1   | 0.34±0.01                                      | 100                   |
|                          | 5.0/2.5    | 5.0±0.3  | 2.5±0.2   | 0.46±0.01                                      | 100                   |
|                          | 6.0/3.0    | 6.0±0.4  | 3.0±0.2   | 0.46±0.04                                      | 100                   |
|                          | 8.0/4.0    | 8.0±0.4  | 4.0±0.2   | 0.48±0.01                                      | 100                   |
|                          | 10./5.0    | 10.0±0.4   | 5.0±0.2   | 0.52±0.01                                      | 100                   |
|                          | 12.0/6.0   | 12.0±0.4   | 6.0±0.3   | 0.54±0.01                                      | 100                   |
|                          | 14.0/7.0   | 14.0±0.4   | 7.0±0.3   | 0.56±0.01                                      | 100                   |
|                          | 16.0/8.0   | 16.0±0.5   | 8.0±0.3   | 0.62±0.01                                      | 100                   |
|                          | 18.0/9.0   | 18.0±0.5   | 9.0±0.3   | 0.70±0.02                                      | 100                   |
|                          | 20.0/10.0  | 20.0±0.5   | 10.0±0.3  | 0.72±0.02                                      | 100                   |
|                          | 22.0/11.0  | 22.0±0.5   | 11.0±0.3  | 0.75±0.02                                      | 100                   |
|                          | 25.0/12.5  | 25.0±0.8   | 12.0±1.0  | 0.80±0.02                                      | 25                    |
|                          | 30.0/15.0  | 30.0±0.8   | 15.0±1.0  | 0.82±0.02                                      | 25                    |
|                          | 35.0/17.5  | 35.0±0.8   | 17.5±1.0  | 0.82±0.02                                      | 25                    |
|                          | 40.0/20.0  | 40.0±1.5   | 20.0±1.0  | 0.82±0.02                                      | 25                    |
|                          | 50.0/25.0  | 50.0±1.5   | 25.0±1.0  | 0.82±0.02                                      | 25                    |
|                          | 60.0/30.0  | 60.0±1.5   | 30.0±1.5  | 0.93±0.02                                      | 25                    |
|                          | 70.0/35.0  | 70.0±1.5   | 35.0±1.5  | 0.95±0.02                                      | 25                    |
|                          | 80.0/40.0  | 80.0±1.5   | 40.0±1.5  | 0.95±0.02                                      | 25                    |
|                          | 90.0/45.0  | 90.0±1.5   | 45.0±1.5  | 1.10±0.02                                      | 25                    |
|                          | 100.0/50.0 | 100.0±1.5  | 50.0±1.5  | 1.10±0.02                                      | 25                    |
|                          | 120.0/60.0 | 120.0±1.5  | 60.0±1.5  | 1.10±0.02                                      | 25                    |
|                          | 150.0/75.0 | 150.0±1.5  | 75.0±1.5  | 1.15±0.02                                      | 25                    |

注: 以上产品黑色为标准色: 红、黄、兰、白、透明色为辅助品种, 特殊产品需提前两个星期时间订货。载切管需加 5 分 / 米载切费, 如载切长度小于 6mm 载管需加 8 分 / 米载切费。

Note:

Standard color:black(default color)

Other color:red,yellow,blue,white,transparent.

Customized products need be order 2 weeks in advance.

Cutting cost:0.05 RMB/m. 0.08 RMB/m.(Cutting length less than 6mm)

# RSG 环保无卤阻燃热缩管

RSG Environmentally Friendly Halogen-Free Flame Retardant Heat Shrinkable Tube

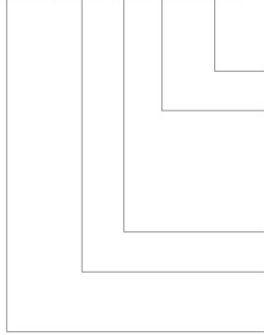


## RSG

RSG、MPG 热缩套管是一种新兴高科技产品,它具有良好的物理化学特性、耐腐蚀、绝缘散热和阻燃性能,为电气、通信等工程提供一种高新绝缘防护材料,适用于铜排、铝排,电线电缆和电缆端子及接头的绝缘,保护和标识,电器系统线状元器件,终端及接头的绝缘保护和柔软线束的导线成束。且使用方便,只需用热风枪,煤气焊枪或烘箱加热即可将套管收缩。

RSG、MPG low temperature flame-resist heat-shrinkable tubes are new high-tech products.They have good physical and chemical performance such as corrosion-resistance insulate and flame-resistance.They are new materials for the power and communication projects.They apply in the insulate of the cable and terminal and connector,protection and mark,linear components useds in the power system,insulated protection of the terminal and connector and handling the conduct wire of the soft cable.As only heat gun can shrink them,they are easily used.

RSG(HBRSG) □□ - C - □□ / □□



- 表示收缩后内径  
Inner dimension after shrinkage
- 表示收缩前内径  
Inner dimension before shrinkage
- 表示颜色 R-红色, Y-黄色, G-绿色, B-黑色, C-透明, W-白色,  
Color R-red, Y-Yellow, G-Green, B-Black, C-Transparent, W-White,  
BL- 蓝  
BL-blue
- 表示电压等级: 01 表示 1KV, 10 表示 10KV  
Voltage 01-1kV, 1-10kV, 35-35kV
- RSG 表示连续长度低电压阻燃热缩套管  
RSG Continuous length of low temperature flame-resistance heat-shrinkable tube
- HBRSG 表示低烟无卤环保套管  
HBRSG halogen with low-smoke and free heat-shrink able tube



## 规格参数 单位: mm

| 序号<br>No. | 项目<br>Item                                 | 质量指标<br>Quality date | 序号<br>No. | 项目<br>Item                               | 质量指标<br>Quality date |
|-----------|--|----------------------|-----------|--|----------------------|
| 1         | 收缩温度 (°C)<br>Shrunk temperature (°C)       | 100-110              | 2         | 偏壁率 (%)<br>Deviation partitcon ratio (%) | ≤ 30                 |
| 3         | 径向收缩率 (%)<br>Radial shrinkage ratio (%)    | > 50                 | 4         | 轴向收缩率 (%)                                | ±5                   |
| 5         | 拉伸强度 (Mpa)<br>Tensile strength (Mpa)       | > 12                 | 6         | 阻燃性能<br>Flame-resistance performance     | VW-1                 |
| 7         | 击穿强度 (kV/mm)<br>Breakdown strength (kV/mm) | ≥ 20                 | 8         | 断裂伸长率 (%)<br>Broken extension ratio (%)  | > 300                |
| 9         | 使用温度 (°C)<br>Usage temperature (°C)        | -30 ~ 125            | 10        | 使用电压 (V)<br>Usage voltage (V)            | 600                  |



# 10kV/35kV 连续、分段热缩母排管

10Kv/35Kv Long/Short Bus Bar Heat Shrink Tubing



## 10kV/35kV

产品是一种具有良好的绝缘材料,主要应用于高压开关柜、电厂、变电站中母线排的绝缘保护。可以起到防止异物搭接、防止小动物短路、防止维护人员误入带电间隙 / 防止凝露短路、增加相间绝缘等作用。

It's a good insulating material, mainly used for insulation protection of busbars in high voltage switchgear, power plant and substations. It can prevent foreign object from overlapping, prevent short circuit caused by small animals intrusion, prevent maintainer from straying in charging gap, prevent condensation and increase the effect of phase insulation.

MPG □□ - C - □□ / □□

- 表示收缩后内径  
Inner dimension after shrinkage
- 表示收缩前内径  
Inner dimension before shrinkage
- 表示颜色 R- 红色, Y- 黄色, G- 绿色, B- 黑色  
Color R-Red, Y-Yellow, G-Green, B-Black
- 表示电压等级: 01 表示 1KV, 10 表示 10KV, 35 表示 35KV  
Voltage 01-1kV, 1-10kV, 35-35kV
- 表示高压阻燃热缩母排套管  
Hi-volt flame-resistance heat-shrinkable tube



### 主要性能指标 Main performance indicators

| 序号<br>No. | 检测项目<br>Test items  | 标准要求<br>Standary requirements   | 检测结果<br>Test result   |
|-----------|---|---|---|
| 1         | 1 min 相对相工频耐压试验<br>1 min phase-phase power frequency withstand test   | 42kV 不闪络、不击穿<br>42kV no flash and no breakdown  | 42kV, 1min, 试样未闪络和击穿<br>42kV, 1min, no flash and no breakdown |
| 2         | 相对相冲击电压试验<br>phase-phase impulse voltage test                         | 75kV 正负极性各 15 次; 相对相冲击耐压试验; 不闪络<br>75kV 15 times phase-phase impulse with stand test of the positive and the negative respectively, no flash and no breakdown | 75kV 正负极性各 15 次; 试样未闪络和击穿<br>75kV 15 times                    |
| 3         | 1 min 相对地工频耐压试验<br>1 min phase-earth, power frequency with stand test | 42kV 不闪络、不击穿<br>42kV no flash and no breakdown  | 42kV, 1min, 试样未闪络和击穿<br>42kV, 1min, no flash and no breakdown |
| 4         | 相对相冲击电压试验<br>phase-phase impulse voltage test                         | 75kV 正负极性各 15 次; 相对相冲击耐压试验; 不闪络<br>75kV 15 times phase-phase impulse with stand test of the positive and the negative respectively, no flash and no breakdown | 75kV 正负极性各 15 次; 试样未闪络和击穿                                     |
| 5         | 温升试验<br>temperture rise test  | 环境温度为 40°C 下收缩绝缘套管后的铜排温升应不大于裸铜排温升   | 裸铜排温升 45.7°C<br>绝缘铜排温升: 41.4°C                                |
| 6         | 热缩管耐压试验<br>with stand test of the heat-shirinkable tube               | 20kV, 1min 不击穿<br>20kV 1min no breakdown  | 20kV, 1 min 不击穿<br>20kV 1min no breakdown                     |

# 10kV/35kV 连续、分段热缩母排管

10Kv/35Kv Long/Short Bus Bar Heat Shrink Tubing

10kV/35kV



规格参数 单位: mm

| 名称<br>Name   | 型号<br>Model  | 使用母排宽度<br>Width of busbars | 包装 (米 / 盘)<br>Packing(m/plate) |
|--|--------------|----------------------------|--------------------------------|
| 10kv 连续 / 分段母排<br>10kv continuous/segmented busbar | MPG10-25/10  | 20-30                      | 25                             |
|  | MPG10-30/12  | 30-40                      | 25                             |
|  | MPG10-40/16  | 40-50                      | 25                             |
|  | MPG10-50/20  | 50-60                      | 25                             |
|  | MPG10-70/30  | 60-70                      | 25                             |
|  | MPG10-80/35  | 80-90                      | 25                             |
|  | MPG10-90/40  | 100-110                    | 25                             |
|  | MPG10-100/45 | 120                        | 25                             |
|  | MPG10-120/50 | 140                        | 25                             |
|  | MPG10-150/60 | 180                        | 25                             |
| 35kv 连续 / 分段母排<br>35kv continuous/segmented busbar | MPG35-25/10  | 20-30                      | 25                             |
|  | MPG35-30/12  | 30-40                      | 25                             |
|  | MPG35-40/16  | 40-50                      | 25                             |
|  | MPG35-50/20  | 50-60                      | 25                             |
|  | MPG35-60/25  | 60-70                      | 25                             |
|  | MPG35-70/30  | 80-90                      | 25                             |
|  | MPG35-80/35  | 90-100                     | 25                             |
|  | MPG35-90/40  | 100-110                    | 25                             |
|  | MPG35-100/45 | 120                        | 25                             |
|  | MPG35-120/50 | 140                        | 25                             |
| MPG35-150/60                                       | 180          | 25                         |                                |



**Hoonsun**  
*Eighteen years for only one thing!*

# 防水接线盒

Waterproof Junction Box





**CE ROHS**

# 防水接线盒 -RA/B 系列

Waterproof Junction Box-RA/B Series



RA / B 系列

CE ROHS

壳体材料: ABS

孔塞材料: PVC

材料特性: 抗冲击性, 耐热性, 耐低温性, 耐化学药品性及电气性能优良, 表面光泽性好等特点

认证: CE, ROHS

用途: 适用于室内, 室外电气, 通信, 消防设备, 钢铁冶炼, 石油化工, 电子电力, 铁路, 建筑工地, 采矿场, 机场, 宾馆, 船舶, 大型工厂, 沿海工厂, 卸货码头设备, 污废水处理设施, 环境公害设施等。

安装方式: 1: 内部安装: 盒子内部有供线路板或 DIN 轨道元件安装的凸台;  
2: 外部安装: 可通过盒体底部的安装孔直接固定于墙面 (可通过盒子的四个角, 直接用螺丝或钉子固定在墙上货架子上。)

进出线孔: 1: HXB-R-A 防水盒可以根据 (是否穿线选择开孔。电线大小在现有孔塞上选择使用, 或配套防水夹紧接头, 达到防水最佳效果。  
2: HXB-R-B 防水盒可以根据电线大小在现有孔塞上选择使用, 或配套防水夹紧接头, 达到防水最佳效果。

Body material: ABS

Stopper material: PVC

Material characteristics: Impact, heat, low temperature and chemical resistance, excellent electrical performance and surface gloss, etc.

Certificates: CE, ROHS

Application: Suitable for indoor and outdoor electric, communication, fire fighting apparatus, iron and steel smelting, petrochemical industry, electron, power system, railway, building, mine, air and sea port, hotel, ship, works, waste water treatment equipment, environment equipment and so on.

Installation: 1: Inside: There are the installation holes in the base for circuit board or din rail (More than 2 pcs of M4 brass nuts have been in the base).

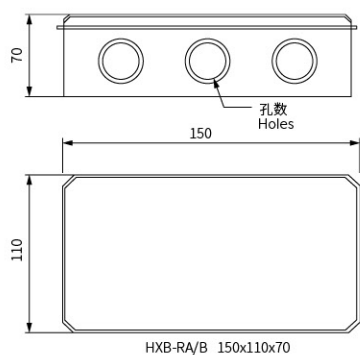
2: Outside: The products can be directly fixed on the wall or other flat boards with screws or nails via the screw holes in the base.

Outlet hole: 1: Holes can be opened or not on the box as customers' requirements, and installing cable gland can bring with better waterproof performance.

2: Holes can be chosen according to the cable diameter from the existing holes on the box, and installing cable gland can bring with better waterproof performance.

## 规格参数 单位: mm

| 型号<br>Model Code    | 孔数<br>Hole QTY | 孔径 (mm)<br>Hole Size | IP | 毛重 (KG)<br>G. Weight | 净重 (KG)<br>G. Weight | 装箱数 (只)<br>Qty/Carton | 外箱尺寸 (cm)<br>Carton Dimension |
|---------------------|----------------|----------------------|----|----------------------|----------------------|-----------------------|-------------------------------|
| HXB-RA/B 50x50      | 4              | 25                   | 55 | 13.5                 | 12.3                 | 300                   | 46×38×51                      |
| HXB-RA/B 80x50      | 4              | 25                   | 55 | 14.7                 | 13.4                 | 240                   | 53×35×62                      |
| HXB-RA/B 85x85x50   | 7              | 25                   | 55 | 17.2                 | 16                   | 200                   | 53×41×53                      |
| HXB-RA/B100x100x70  | 7              | 25                   | 65 | 14.9                 | 13.5                 | 100                   | 62×49×35                      |
| HXB-RA/B150x110x70  | 10             | 25                   | 65 | 15.1                 | 13.8                 | 60                    | 67×33×46.5                    |
| HXB-RA/B150x150x70  | 8              | 25                   | 65 | 16.3                 | 15                   | 60                    | 84.5×34×45                    |
| HXB-RA/B200x100x70  | 8              | 25                   | 65 | 16.6                 | 15.3                 | 60                    | 61×46×42                      |
| HXB-RA/B200x155x80  | 10             | 36                   | 65 | 14.5                 | 13.2                 | 40                    | 69.5×43.5×42                  |
| HXB-RA/B200x200x80  | 12             | 36                   | 65 | 18                   | 16.6                 | 40                    | 90×46×40.5                    |
| HXB-RA/B255x200x80  | 12             | 36                   | 65 | 21.9                 | 20.1                 | 40                    | 55×45×78.5                    |
| HXB-RA/B255x200x120 | 12             | 36                   | 65 | 21.9                 | 20.1                 | 30                    | 64×55×62                      |
| HXB-RA/B300x250x120 | 12             | 36                   | 65 | 20.3                 | 18.4                 | 20                    | 61.5×55.5×63                  |
| HXB-RA/B400x350x120 | 16             | 36                   | 65 | 15                   | 13.3                 | 10                    | 74.5×42.5×61.5                |



RB 系列  
RB series



RA 系列  
RA series

# 防水接线盒 -KT 系列

Waterproof Junction Box-KT-Seires



## KT 系列

CE ROHS

壳体材料: ABS 或 PC

材料特性: 抗冲击性, 耐热性, 耐低温性, 耐化学药品性及电气性能优良, 表面光泽性好等特点

认证: CE, ROHS

用途: 适用于室内, 室外电气, 通信, 消防设备, 钢铁冶炼, 石油化工, 电子电力, 铁路, 建筑工地, 采矿场, 机场, 宾馆, 船舶, 大型工厂, 沿海工厂, 卸货码头设备, 污废水处理设施, 环境公害设施等。

安装方式: 1. 内部安装: 盒子内部有供线路板或 DIN 轨道元件安装的凸台; 及自带的铜接线螺母 (每只防水盒内部都配有最少二个以上的很常规的 M4 的铜螺母)  
2. 外部安装: 可通过盒体底部的安装孔直接固定于墙面 (可通过盒子的四个角, 直接用螺丝或钉子固定在墙上或板子上)。

进出线孔: 防水盒可以随意根据客户的使用要求在上面开孔 (开孔位置及开孔大小都可以按照客户指定要求加工)。开孔后可以装有配套的防水紧接头, 达到防水最佳效果。

Body material: ABS or PC

Material characteristics: Impact, heat, low temperature and chemical resistance, excellent electrical performance and surface gloss, etc.

Certificates: CE, ROHS

Application: Suitable for indoor and outdoor electric, communication, fire fighting apparatus, iron and steel smelting, petrochemical industry, electron, power system, railway, building, mine, air and sea port, hotel, ship, works, waste water treatment equipment, environment equipment and so on.

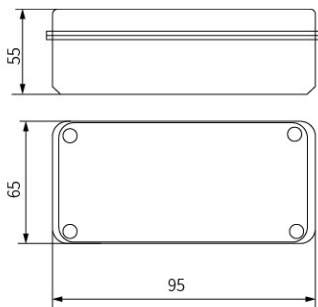
Installation: 1. Inside: There are the installation holes in the base for circuit board or din rail (More than 2 pcs of M4 brass nuts have been in the base).

2. Outside: The products can be directly fixed on the wall or other flat boards with screws or nails via the screw holes in the base.

Outlet hole: Holes can be opened on the box as customers' requirements, and installing cable gland can bring with better waterproof performance.

## 规格参数 单位: mm

| 型号<br>Model Code   | 毛重 (KG)<br>G. Weight | 装箱数 (只)<br>Qty/Carton | 外箱尺寸 (cm)<br>Carton<br>Dimension | 型号<br>Model Code  | 毛重 (KG)<br>G. Weight | 装箱数 (只)<br>Qty/Carton | 外箱尺寸 (cm)<br>Carton<br>Dimension |
|--------------------|----------------------|-----------------------|----------------------------------|-------------------|----------------------|-----------------------|----------------------------------|
| HXB-KT 65×50×55    | 21.5/20.0            | 300                   | 52×41×29.5                       | HX-KT 200×150×130 | 21.6/20.1            | 40                    | 61.5×41×68.5                     |
| HXB-KT 96×65×55    | 25.1/23.6            | 240                   | 49.5×40.5×46.5                   | HX-KT 200×200×95  | 18.5/17.0            | 30                    | 62×42×49.5                       |
| HXB-KT 100×100×75  | 20.4/18.9            | 100                   | 52×42×39.5                       | HX-KT 200×200×130 | 14.6/13.1            | 20                    | 42×42×67                         |
| HXB-KT 110×80×45   | 24.3/22.8            | 200                   | 46×42×47                         | HX-KT 250×80×70   | 15.7/14.2            | 50                    | 52×41×36                         |
| HXB-KT 110×80×70   | 20.0/18.5            | 120                   | 57×33.5×45                       | HX-KT 250×80×85   | 18.8/17.3            | 50                    | 52×42×44.5                       |
| HXB-KT 110×80×85   | 19.7/18.2            | 100                   | 57×33.5×45                       | HX-KT 250×150×100 | 11.5/10.0            | 20                    | 52×32×52                         |
| HXB-KT 125×125×75  | 16.6/15.1            | 60                    | 52×39.5×39.5                     | HX-KT 250×150×130 | 17.1/15.6            | 30                    | 52×47×67                         |
| HXB-KT 125×125×100 | 19.4/17.9            | 60                    | 52×39.5×52                       | HX-KT 280×190×130 | 10.6/9.1             | 10                    | 40×30×67                         |
| HXB-KT 130×80×70   | 21.4/19.9            | 120                   | 54×41.5×45                       | HX-KT 280×190×180 | 14.5/13.0            | 12                    | 58×40×56                         |
| HXB-KT 130×80×85   | 25.4/23.9            | 120                   | 54×50×44.5                       | HX-KT 280×280×130 | 8.6/7.1              | 6                     | 58×58×41                         |
| HXB-KT 160×80×55   |                      | 100                   | 42×34×57                         | HX-KT 280×280×180 | 9.6/8.1              | 6                     | 58×58×56                         |
| HXB-KT 160×80×95   |                      | 50                    | 42×34×49.5                       | HX-KT 340×280×130 | 9.5/8.1              | 6                     | 57.5×35×41                       |
| HXB-KT 170×140×95  | 17.8/16.3            | 50                    | 57.5×52×49.5                     | HX-KT 340×280×180 | 7.9/6.4              | 4                     | 57.5×35×37.5                     |
| HXB-KT 175×125×75  | 17.0/15.5            | 50                    | 54×52.5×32                       | HX-KT 340×190×130 | 10.9/9.4             | 8                     | 40×40×54                         |
| HXB-KT 175×125×100 | 11.9/10.4            | 30                    | 39.5×37×52                       | HX-KT 380×190×180 | 12.5/11              | 6                     | 40×59×38                         |
| HXB-KT 175×175×100 | 14.4/12.9            | 30                    | 54.5×37×53.5                     | HX-KT 380×280×130 | 9.8/8.3              | 6                     | 57.5×39×41                       |
| HXB-KT 180×80×70   | 20.4/18.9            | 90                    | 56×41×46                         | HX-KT 380×280×180 | 8.0/6.5              | 4                     | 57.5×39×37.5                     |
| HXB-KT 200×150×100 | 28.5/27              | 30                    | 47×42×67                         |                   |                      |                       |                                  |



## HXB-GT

CE ROHS

壳体材料: ABS 或 PC

材料特性: 抗冲击性, 耐热性, 耐低温性, 耐化学药品性及电气性能优良, 表面光泽性好等特点

认证: CE、ROHS

防护等级: IP65

用途: 适用于室内, 室外电气, 通信, 消防设备, 钢铁冶炼, 石油化工, 电子电力, 铁路, 建筑工地, 采矿场, 机场, 宾馆, 船舶, 大型工厂, 沿海工厂, 卸货码头设备, 污水处理设施, 环境公害设施等。

安装方式: 1. 内部安装: 盒子内部有供线路板或 DIN 轨道元件安装的凸台, 及自带的铜接线螺母 (每只防水盒内部都配有最少二个以上的很常规的 M4 的铜螺母)  
2. 外部安装: 可通过盒体底部的安装孔直接固定于墙面 (可通过盒子的四个角, 直接用螺丝或钉子固定在墙上或板子上)。

进出线孔: 防水盒可以随意根据客户的使用要求在上面开孔 (开孔位置及开孔大小都可以按照客户指定要求加工)。开孔后可以装有配套的防水紧接头, 达到防水最佳效果。

Body material: ABS or PC

Material characteristics: Impact, heat, low temperature and chemical resistance, excellent electrical performance and surface gloss, etc.

Certificates: CE, ROHS

Protection grade: IP65

Application: Suitable for indoor and outdoor electric, communication, fire fighting apparatus, iron and steel smelting, petrochemical industry, electron, power system, railway, building, mine, air and sea port, hotel, ship, works, waste water treatment equipment, environment equipment and so on.

Installation: 1. Inside: There are the installation holes in the base for circuit board or din rail (More than 2 pcs of M4 brass nuts have been in the base).  
2. Outside: The products can be directly fixed on the wall or other flat boards with screws or nails via the screw holes in the base.

Outlet hole: Holes can be opened on the box as customers' requirements, and installing cable gland can bring with better waterproof performance.

## 规格参数

| 型号<br>Model Code   | 毛重 (KG)<br>G. Weight | 净重 (KG)<br>G. Weight | 装箱数 (只)<br>Qty/Carton | 外箱尺寸 (cm)<br>Carton Dimension |
|--------------------|----------------------|----------------------|-----------------------|-------------------------------|
| HXB-GT 300×200×160 | 12.9                 | 11.4                 | 8                     | 60×46×32                      |
| HXB-GT 300×200×180 | 13.4                 | 11.9                 | 8                     | 64.5×40.5×54                  |
| HXB-GT 300×200×180 | 13.8                 | 12.3                 | 6                     | 61.5×34×56.5                  |
| HXB-GT 400×300×180 | 17                   | 15.5                 | 6                     | 66×41×56.5                    |
| HXB-GT 500×400×200 | 13.5                 | 12                   | 3                     | 51×44×63                      |
| HXB-GT 600×400×220 | 17.5                 | 16                   | 3                     | 61.5×41×68.5                  |



# 明装配电箱

Surface Distribution Box

## MS 系列

CE ROHS

壳体材料: ABS  
透明门板: PC  
接线端子: 铜  
材料特性: 抗冲击性, 耐热性, 耐低温性, 耐化学药品性及电气性能优良, 表面光泽性好等特点

认证: CE、ROHS  
防护等级: IP65

用途: 适用于室内, 室外电气, 通信, 消防设备, 钢铁冶炼, 石油化工, 电子电力, 铁路, 建筑工地, 采矿业, 机场, 宾馆, 船舶, 大型工厂, 沿海工厂, 卸货码头设备, 污水处理设施, 环境公害设施等。

安装方式: 可选择明装或者暗装

1. 内部安装: 盒子内部有导轨式断路器安装的导轨, 及用于接线的零线排和地线排。
2. 外部安装: 可通过箱体底部的安装孔直接固定于墙面 (可通过盒子的四个角, 直接用螺丝或钉子固定在墙上或板子上)。

进出线孔: 箱体设有可供穿线的预留孔。

Body material: ABS  
Transparent door panels: PC  
Terminal blocks: Copper  
Material characteristics: Impact, heat, low temperature and chemical resistance, excellent electrical performance and surface gloss, etc.

Certificates: CE, ROHS  
Protection grade: IP65

Application: Suitable for indoor and outdoor electric, communication, fire fighting apparatus, iron and steel smelting, petrochemical industry, electron, power system, railway, building, mine, air and sea port, hotel, ship, works, waste water treatment equipment, environment equipment and so on.

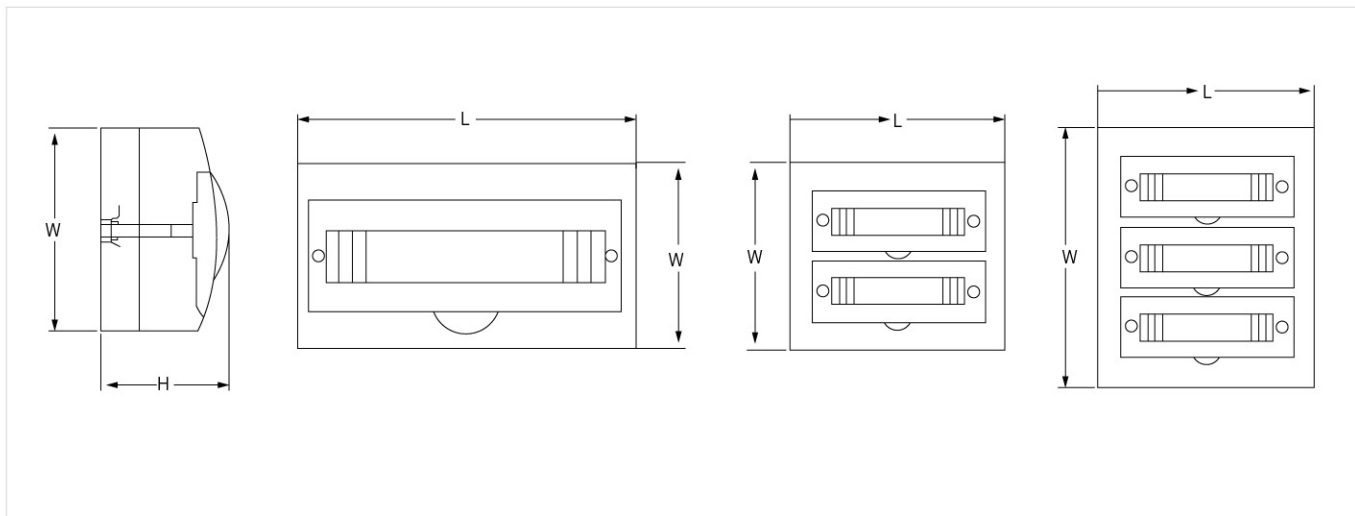
Installation: You can choose to install it in the open or concealed one

1. Internal installation: inside the box there are rails for the installation of the rail type circuit breaker, and the neutral and ground bars for wiring.
2. External installation: It can be directly fixed to the wall through the mounting hole at the bottom of the box (it can be directly fixed to the wall or board with screws or nails through the four corners of the box).

Outlet hole: The box is equipped with reserved holes for threading.

## 规格参数 单位: mm

| 型号<br>Model Code | 外形尺寸 Outside Dimension(mm) |     |     | 毛重 (KG)<br>G. Weight | 净重 (KG)<br>G. Weight | 装箱数 (只)<br>Qty/Carton | 外箱尺寸 (cm)<br>Carton Dimension |
|------------------|----------------------------|-----|-----|----------------------|----------------------|-----------------------|-------------------------------|
|                  | L                          | W   | H   |                      |                      |                       |                               |
| HXB-MS 4WAY      | 112                        | 200 | 95  | 11.5                 | 8.7                  | 30                    | 51×36×45.5                    |
| HXB-MS 6WAY      | 148                        | 200 | 95  | 14.9                 | 11.5                 | 30                    | 51×42.5×50                    |
| HXB-MS 8WAY      | 184                        | 200 | 95  | 16.7                 | 12.8                 | 30                    | 52×43.5×59.5                  |
| HXB-MS 10WAY     | 222                        | 200 | 95  | 13                   | 9.8                  | 20                    | 51×43×48.5                    |
| HXB-MS 12WAY     | 256                        | 200 | 95  | 14.8                 | 11.5                 | 20                    | 52×43×55                      |
| HXB-MS 15WAY     | 310                        | 200 | 95  | 12.8                 | 9.9                  | 15                    | 50.5×33.5×64                  |
| HXB-MS 18WAY     | 365                        | 222 | 95  | 15.2                 | 12.8                 | 15                    | 52×38×71                      |
| HXB-MS 24WAY     | 271                        | 325 | 97  | 13.2                 | 10.3                 | 10                    | 55×35×57.5                    |
| HXB-MS 36WAY     | 271                        | 462 | 100 | 18.5                 | 14.8                 | 5                     | 54.5×28.5×48                  |





HX-ZD

CE ROHS

材质: 采用 UL 认可之尼龙 66 料制成, 防火等级 94V-2, 耐酸、耐蚀、绝缘性良好, 不易老化、承受力强

颜色: 标准颜色为本色材质: 采用 UL 认可之尼龙 66 料制成, 防火等级 94V-2, 耐酸、耐蚀、绝缘性良好, 不易老化、承受力强(白色), 另有抗紫外线之黑色, 特殊颜色欢迎订做。

Material: Nylon 66 approved by UL, 94V-2, acid proof, corrosion-resistant and not easy to age.

Color: Natural(or white, standard color), UV black and other colors are available as requested.

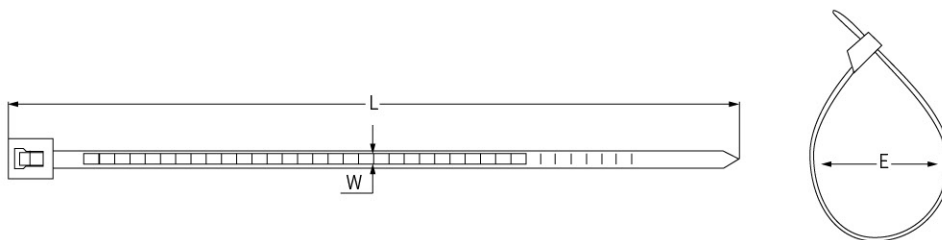
规格参数

| 型号<br>Item No. | 长 L  |     | 宽 W | 捆扎范围 E<br>Bundle diameter | 承受力<br>Tensile strength |    |
|----------------|------|-----|-----|---------------------------|-------------------------|----|
|                | Inch | mm  |     |                           |                         |    |
| HXZD-2.5×100   | 4.0  | 100 | 2.5 | 2-22                      | 18                      | 8  |
| HXZD-2.5×150   | 6.0  | 150 |     | 2-35                      |                         |    |
| HXZD-2.5×200   | 8.0  | 200 |     | 2-50                      |                         |    |
| HXZD-3.5×150   | 6.0  | 150 | 3.5 | 3-35                      | 40                      | 18 |
| HXZD-3.5×200   | 8.0  | 200 |     | 3-65                      |                         |    |
| HXZD-3.5×250   | 10   | 250 |     | 3-70                      |                         |    |
| HXZD-3.5×300   | 12   | 300 |     | 3-80                      |                         |    |
| HXZD-3.5×370   | 14.6 | 370 |     | 3-85                      |                         |    |
| HXZD-4.8×150   | 6.0  | 150 | 4.8 | 4-35                      | 50                      | 22 |
| HXZD-4.8×200   | 8.0  | 200 |     | 4-50                      |                         |    |
| HXZD-4.8×250   | 10   | 250 |     | 4-65                      |                         |    |
| HXZD-4.8×300   | 12   | 300 |     | 4-80                      |                         |    |
| HXZD-4.8×370   | 14.6 | 370 |     | 4-85                      |                         |    |
| HXZD-4.8×100   | 4.0  | 100 |     | 4-22                      |                         |    |
| HXZD-4.8×120   | 4.7  | 120 |     | 4-30                      |                         |    |
| HXZD-4.8×180   | 7.1  | 180 |     | 4-50                      |                         |    |
| HXZD-4.8×350   | 14   | 350 |     | 4-82                      |                         |    |
| HXZD-4.8×370   | 14.6 | 370 |     | 4-65                      |                         |    |
| HXZD-4.8×400   | 16   | 400 |     | 4-105                     |                         |    |
| HXZD-4.8×450   | 18   | 450 |     | 4-118                     |                         |    |
| HXZD-4.8×500   | 20   | 500 |     | 4-150                     |                         |    |
| HXZD-4.8×650   | 25.6 | 650 |     | 4-185                     |                         |    |
| HXZD-4.8×760   | 30   | 760 |     | 4-200                     |                         |    |
| HXZD-7.6×200   | 8.0  | 200 |     | 7.6                       |                         |    |
| HXZD-7.6×250   | 10   | 250 |     | 5-65                      |                         |    |
| HXZD-7.6×300   | 12   | 300 | 7.2 | 5-80                      |                         |    |
| HXZD-7.6×350   | 14   | 350 | 7.6 | 5-82                      |                         |    |
| HXZD-7.6×370   | 14.5 | 370 | 7.6 | 5-85                      |                         |    |
| HXZD-7.6×400   | 16   | 400 | 7.6 | 5-105                     |                         |    |
| HXZD-7.6×450   | 18   | 450 |     | 5-118                     |                         |    |
| HXZD-7.6×500   | 20   | 500 |     | 5-150                     |                         |    |
| HXZD-7.6×550   | 21.6 | 550 |     | 5-160                     |                         |    |

HX-ZD

CE ROHS

| 型号<br>Item No. | 长 L  |      | 宽 W | 捆扎范围 E<br>Bundle diameter | 承受力<br>Tensile strength |    |
|----------------|------|------|-----|---------------------------|-------------------------|----|
|                | Inch | mm   |     |                           |                         |    |
| HXZD-8.8×400   | 16   | 400  | 8.8 | 6-105                     | 170                     | 75 |
| HXZD-8.8×450   | 18   | 450  |     | 6-118                     |                         |    |
| HXZD-8.8×500   | 20   | 500  |     | 6-105                     |                         |    |
| HXZD-8.8×550   | 21.6 | 550  |     | 6-160                     |                         |    |
| HXZD-8.8×600   | 23.6 | 600  |     | 6-170                     |                         |    |
| HXZD-8.8×650   | 25.6 | 650  |     | 6-185                     |                         |    |
| HXZD-8.8×700   | 27.6 | 700  |     | 6-190                     |                         |    |
| HXZD-8.8×760   | 30   | 750  |     | 6-200                     |                         |    |
| HXZD-8.8×800   | 31.5 | 800  |     | 6-230                     |                         |    |
| HXZD-8.8×900   | 35.5 | 900  |     | 6-265                     |                         |    |
| HXZD-8.8×1000  | 39.4 | 1000 |     | 6-300                     |                         |    |



# 不锈钢扎带

Stainless Steel Cable Tie



HX-SD CE ROHS

产品材料: 不锈钢材质 304 或 316  
 操作温度: -60°C -150°C  
 产品描述: 阻燃  
 材料特性: 抗紫外线  
 产品特性: 滚珠式自锁结构有利于加快安装速度

Material: SS304 or SS316  
 Working Temp: -60°C -150°C  
 Product description: Flame retardant  
 Material properties: UV-resistant  
 Product characteristics: The ball-type self-locking construction facilitates faster installation

## 规格参数

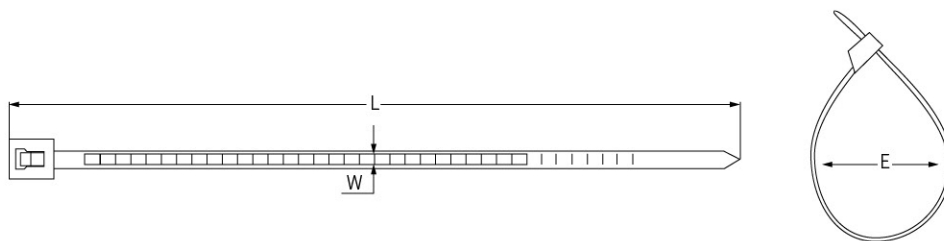
| 型号<br>Item No  | 宽度 W<br>Breadth |      | 长度 L<br>Length |      | 厚度 Thickness |       | 最大捆绑直径<br>Max. bundle range |       | 最小捆绑直径<br>Min. bundle range |      | 最小拉力<br>Min. pulling force |     |
|----------------|-----------------|------|----------------|------|--------------|-------|-----------------------------|-------|-----------------------------|------|----------------------------|-----|
|                | mm              | Inch | mm             | Inch | mm           | Inch  | mm                          | Inch  | mm                          | Inch | n                          | lbs |
| HX-SD 4.6*100  | 4.6             | 0.18 | 100            | 3.9  | 0.26         | 0.01  | 25                          | 1     | 12.7                        | 0.5  | 1100                       | 250 |
| HX-SD 4.6*150  |                 |      | 150            | 5.9  |              |       | 37                          | 1.46  |                             |      |                            |     |
| HX-SD 4.6*200  |                 |      | 200            | 7.9  |              |       | 50                          | 1.97  |                             |      |                            |     |
| HX-SD 4.6*250  |                 |      | 250            | 9.8  |              |       | 63                          | 2.5   |                             |      |                            |     |
| HX-SD 4.6*300  |                 |      | 300            | 11.8 |              |       | 76                          | 3     |                             |      |                            |     |
| HX-SD 4.6*350  |                 |      | 350            | 13.8 |              |       | 89                          | 3.51  |                             |      |                            |     |
| HX-SD 4.6*400  |                 |      | 400            | 15.7 |              |       | 102                         | 4     |                             |      |                            |     |
| HX-SD 4.6*450  |                 |      | 450            | 17.7 |              |       | 115                         | 4.5   |                             |      |                            |     |
| HX-SD 4.6*500  |                 |      | 500            | 19.7 |              |       | 128                         | 5     |                             |      |                            |     |
| HX-SD 4.6*550  |                 |      | 550            | 21.7 |              |       | 141                         | 5.56  |                             |      |                            |     |
| HX-SD 4.6*650  |                 |      | 650            | 25.6 |              |       | 167                         | 6.58  |                             |      |                            |     |
| HX-SD 4.6*700  |                 |      | 700            | 27.6 |              |       | 179                         | 7.05  |                             |      |                            |     |
| HX-SD 4.6*800  |                 |      | 800            | 31.5 |              |       | 193                         | 7.6   |                             |      |                            |     |
| HX-SD 4.6*900  |                 |      | 900            | 35.4 |              |       | 200                         | 7.87  |                             |      |                            |     |
| HX-SD 4.6*1000 |                 |      | 1000           | 39.4 |              |       | 206                         | 8.12  |                             |      |                            |     |
| HX-SD 4.6*1100 |                 |      | 1100           | 43.3 |              |       | 278                         | 10.94 |                             |      |                            |     |
| HX-SD 7.9*200  |                 |      | 7.9            | 0.31 |              |       | 150                         | 5.9   |                             |      |                            |     |
| HX-SD 7.9*250  | 200             | 7.9  |                |      | 50           | 1.97  |                             |       |                             |      |                            |     |
| HX-SD 7.9*300  | 250             | 9.8  |                |      | 63           | 2.5   |                             |       |                             |      |                            |     |
| HX-SD 7.9*350  | 300             | 11.8 |                |      | 76           | 3     |                             |       |                             |      |                            |     |
| HX-SD 7.9*400  | 350             | 13.8 |                |      | 89           | 3.5   |                             |       |                             |      |                            |     |
| HX-SD 7.9*450  | 400             | 15.7 |                |      | 102          | 4     |                             |       |                             |      |                            |     |
| HX-SD 7.9*500  | 450             | 17.7 |                |      | 115          | 4.5   |                             |       |                             |      |                            |     |
| HX-SD 7.9*600  | 600             | 23.6 |                |      | 154          | 6.07  |                             |       |                             |      |                            |     |
| HX-SD 7.9*800  | 800             | 31.5 |                |      | 193          | 7.6   |                             |       |                             |      |                            |     |
| HX-SD 7.9*1000 | 1000            | 39.4 |                |      | 206          | 8.12  |                             |       |                             |      |                            |     |
| HX-SD 10*300   | 10              | 0.39 | 300            | 11.8 | 0.26         | 0.01  | 76                          | 3     | 12.7                        | 0.5  | 2100                       | 480 |
| HX-SD 10*350   |                 |      | 350            | 13.8 |              |       | 89                          | 3.5   |                             |      |                            |     |
| HX-SD 10*400   |                 |      | 400            | 15.7 |              |       | 102                         | 4     |                             |      |                            |     |
| HX-SD 10*500   |                 |      | 500            | 19.7 |              |       | 128                         | 5     |                             |      |                            |     |
| HX-SD 10*600   |                 |      | 600            | 23.6 |              |       | 154                         | 6.07  |                             |      |                            |     |
| HX-SD 10*800   |                 |      | 800            | 31.5 |              |       | 193                         | 7.6   |                             |      |                            |     |
| HX-SD 10*1000  |                 |      | 1000           | 39.4 |              |       | 206                         | 8.12  |                             |      |                            |     |
| HX-SD 12*350   | 12              | 0.47 | 350            | 13.8 | 0.35         | 0.014 | 78                          | 3.07  | 25.4                        | 1    | 3000                       | 675 |
| HX-SD 12*400   |                 |      | 400            | 15.7 |              |       | 102                         | 4.02  |                             |      |                            |     |
| HX-SD 12*500   |                 |      | 500            | 19.7 |              |       | 128                         | 5.04  |                             |      |                            |     |
| HX-SD 12*600   |                 |      | 600            | 23.6 |              |       | 154                         | 6.06  |                             |      |                            |     |
| HX-SD 12*750   |                 |      | 750            | 29.5 |              |       | 188                         | 7.4   |                             |      |                            |     |
| HX-SD 12*900   |                 |      | 900            | 35.4 |              |       | 228                         | 8.98  |                             |      |                            |     |
| HX-SD 12*1100  |                 |      | 1100           | 43.3 |              |       | 278                         | 10.94 |                             |      |                            |     |

配件系列 Other Matched Accessories Series

HX-SD

CE ROHS

| 型号<br>Item No   | 宽度 W<br>Breadth |      | 长度 L<br>Length |      | 厚度 Thickness |       | 最大捆绑直径<br>Max. bundle range |       | 最小捆绑直径<br>Min. bundle range |      | 最小拉力<br>Min. pulling force |     |
|-----------------|-----------------|------|----------------|------|--------------|-------|-----------------------------|-------|-----------------------------|------|----------------------------|-----|
|                 | mm              | Inch | mm             | Inch | mm           | Inch  | mm                          | Inch  | mm                          | Inch | n                          | lbs |
| HX-SD 12.7*350  | 12.7            | 0.5  | 350            | 13.8 | 0.35         | 0.014 | 78                          | 3.07  | 25.4                        | 1    | 3200                       | 720 |
| HX-SD 12.7*400  |                 |      | 400            | 15.7 |              |       | 102                         | 4.02  |                             |      |                            |     |
| HX-SD 12.7*500  |                 |      | 500            | 19.7 |              |       | 128                         | 5.04  |                             |      |                            |     |
| HX-SD 12.7*600  |                 |      | 600            | 23.6 |              |       | 154                         | 6.06  |                             |      |                            |     |
| HX-SD 12.7*750  |                 |      | 750            | 29.5 |              |       | 188                         | 7.4   |                             |      |                            |     |
| HX-SD 12.7*900  |                 |      | 900            | 35.4 |              |       | 228                         | 8.98  |                             |      |                            |     |
| HX-SD 12.7*1100 |                 |      | 1100           | 43.3 |              |       | 278                         | 10.94 |                             |      |                            |     |
| HX-SD 15*350    | 15              | 0.59 | 350            | 13.8 | 0.35         | 0.014 | 78                          | 3.07  | 25.4                        | 1    | 4000                       | 900 |
| HX-SD 15*400    |                 |      | 400            | 15.7 |              |       | 102                         | 4.02  |                             |      |                            |     |
| HX-SD 15*450    |                 |      | 450            | 17.7 |              |       | 108                         | 4.25  |                             |      |                            |     |
| HX-SD 15*600    |                 |      | 600            | 23.6 |              |       | 148                         | 5.83  |                             |      |                            |     |
| HX-SD 15*750    |                 |      | 750            | 29.5 |              |       | 184                         | 7.24  |                             |      |                            |     |
| HX-SD 15*900    |                 |      | 900            | 35.4 |              |       | 220                         | 8.66  |                             |      |                            |     |
| HX-SD 15*1100   |                 |      | 1100           | 43.3 |              |       | 272                         | 10.71 |                             |      |                            |     |





**Hoonsun**

*Eighteen years for only one thing!*

# 光伏连接器

Photovoltaic Connectors





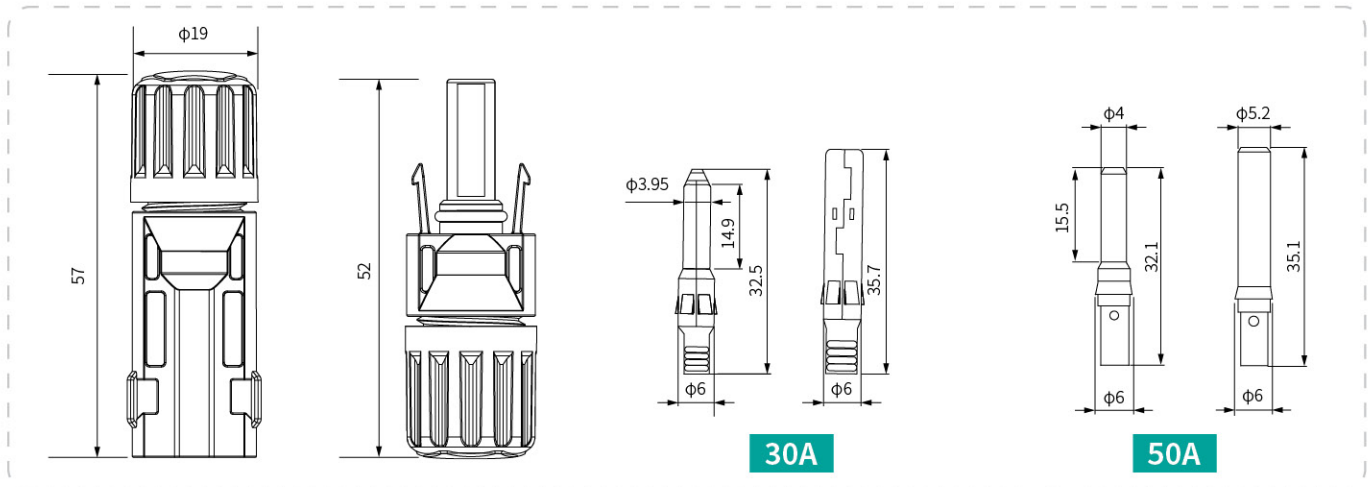
CE



技术数据 / Technical Data

|   |  |
|---|--|
| 连接器系统 /Connector system                                 | Φ4mm   |
| 额定电压 /Rated voltage                                     | 1000V DC(IEC) <sup>1</sup> 1000V/1000V DC(UL) <sup>1</sup>   |
| 额定电流 /Rated current                                     | 17A(1.5mm <sup>2</sup> )<br>22A(2.5mm <sup>2</sup> ;14AWG)<br>30A(4mm <sup>2</sup> ;6mm <sup>2</sup> ;12AWG,10AWG) |
| 测试电压 /Test voltage                                      | 6kV(50HZ,1min.)  |
| 环境温度范围 /Ambient temperature range                       | -40° c...+90°C (IEC) -40°C ...+75°C (UL)   |
| 上限温度 /Upper limiting temper ature                       | +105° C(IEC)   |
| 保护等级, 配接 /Degree of protection,mated                    | IP67   |
| 未配对 /unmated  | IP2X   |
| 插头连接器的耐受性 /Comtact resistanceof plug connectors         | 0.5mΩ  |
| 安全等级 /Safetyclass                                       | II   |
| 触头材料 /Contact material                                  | 铜合金, 镀锡 /Messing,verzinnt Copper Alloy,tin plated  |
| 绝缘材料 /Insulation material                               | PC/PA  |
| 锁定系统 /Locking system                                    | 管理单元 /Snap-in  |
| 火焰等级 /Flame class                                       | UL94-V0  |
| 盐雾试验, 严重性等级 5/Salt mist spray test,degree of severity 5 | IEC 60068-2-52   |

尺寸图 /DIMENSIONAL DRAWING(MM)



■ HX-MC4-01 (1000V)



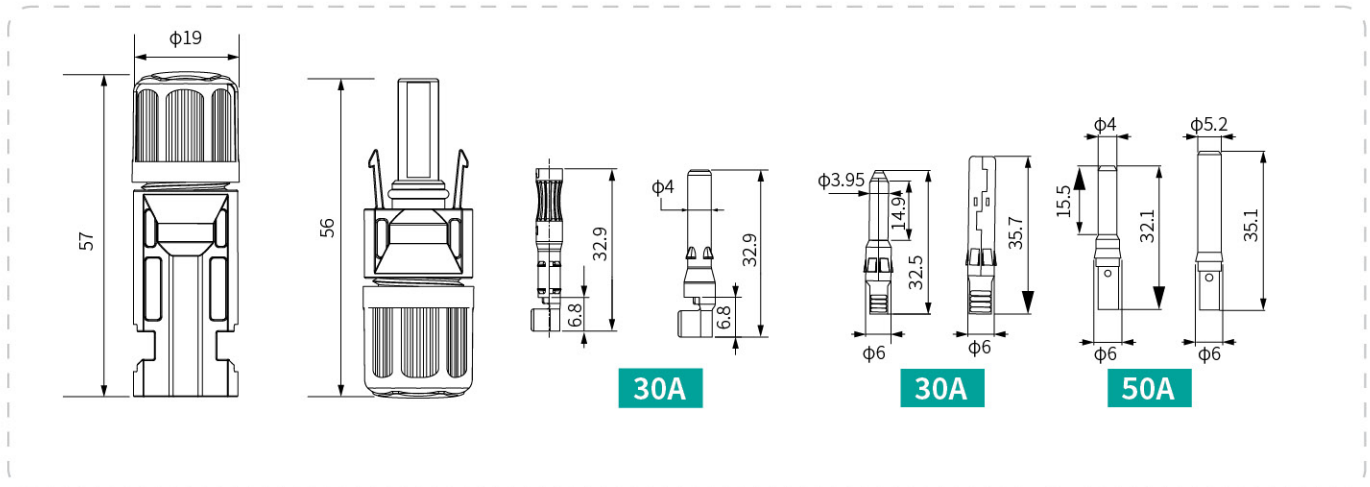
光伏连接器系列 Photovoltaic Connector Series



技术数据 / Technical Data

|   |  |
|---|--|
| 连接器系统 /Connector system                                 | Φ4mm   |
| 额定电压 /Rated voltage                                     | 1000V DC(IEC) <sup>1</sup>   |
| 额定电流 /Rated current                                     | 17A(1.5mm <sup>2</sup> )<br>22A(2.5mm <sup>2</sup> ;14AWG)<br>30A(4mm <sup>2</sup> ;6mm <sup>2</sup> ;12AWG,10AWG) |
| 测试电压 /Test voltage                                      | 6kV(50HZ,1min.)  |
| 环境温度范围 /Ambient temperature range                       | -40° c...+90°C (IEC) -40°C ...+75°C (UL)   |
| 上限温度 /Upper limiting temper ature                       | +105° C(IEC)   |
| 保护等级, 配接 /Degree of protection,mated                    | IP67   |
| 未配对 /unmated  | IP2X   |
| 插头连接器的耐受性 /Comtact resistanceof plug connectors         | 0.5mΩ  |
| 安全等级 /Safetyclass                                       | II   |
| 触头材料 /Contact material                                  | 铜合金, 镀锡 /Messing,verzinnt Copper Alloy,tin plated  |
| 绝缘材料 /Insulation material                               | PC/PPO   |
| 锁定系统 /Locking system                                    | 管理单元 /Snap-in  |
| 火焰等级 /Flame class                                       | UL94-V0  |
| 盐雾试验, 严重性等级 5/Salt mist spray test,degree of severity 5 | IEC 60068-2-52   |

尺寸图 /DIMENSIONAL DRAWING(MM)



■ HX-MC4-02 (1000V)



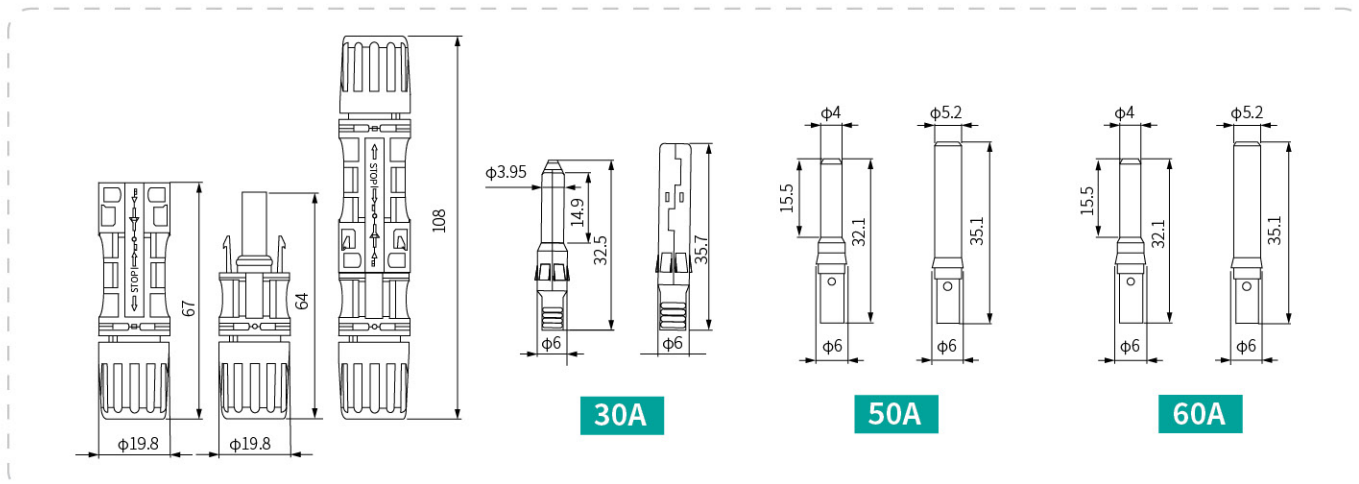


技术数据 / Technical Data



|   |   |
|---|---|
| 连接器系统 /Connector system                                 | Φ4mm  |
| 额定电压 /Rated voltage                                     | 1500V DC(IEC) <sup>1</sup> 1000V/1500V DC(UL) <sup>1</sup>  |
| 额定电流 /Rated current                                     | 17A(1.5mm <sup>2</sup> )<br>22A(2.5mm <sup>2</sup> ;14AWG)<br>30A(4mm <sup>2</sup> ;6mm <sup>2</sup> ;10mm <sup>2</sup> ;12AWG,10AWG) |
| 测试电压 /Test voltage                                      | 6kV(50HZ,1min.)   |
| 环境温度范围 /Ambient temperature range                       | -40° c...+90°C (IEC) -40°C ...+75°C (UL)  |
| 上限温度 /Upper limiting temper ature                       | +105° C(IEC)  |
| 保护等级, 配接 /Degree of protection,mated                    | IP67  |
| 未配对 /unmated  | IP2X  |
| 插头连接器的耐受性 /Comtact resistanceof plug connectors         | 0.5mΩ   |
| 安全等级 /Safetyclass                                       | II  |
| 触头材料 /Contact material                                  | 铜合金, 镀锡 /Messing,verzintt Copper Alloy,tin plated   |
| 绝缘材料 /Insulation material                               | PC/PV   |
| 锁定系统 /Locking system                                    | 管理单元 /Snap-in   |
| 火焰等级 /Flame class                                       | UL94-V0   |
| 盐雾试验, 严重性等级 5/Salt mist spray test,degree of severity 5 | IEC 60068-2-52  |

尺寸图 /DIMENSIONAL DRAWING(MM)



■ HX-MC4-03 (1500V)

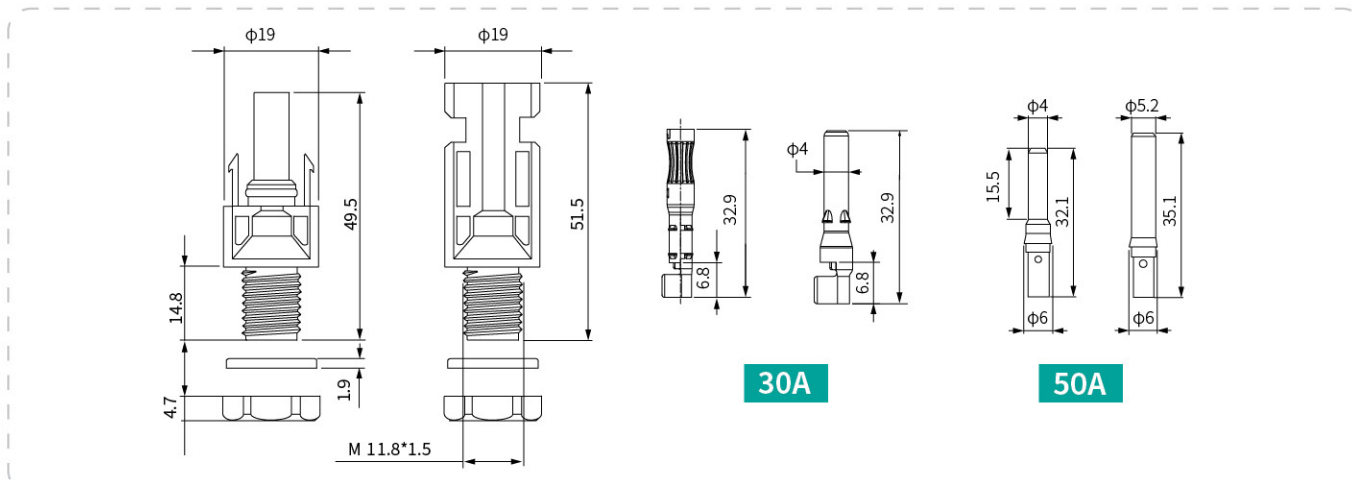


技术数据 / Technical Data



|   |  |
|---|--|
| 连接器系统 /Connector system                                 | Φ4mm   |
| 额定电压 /Rated voltage                                     | 1000V DC(IEC) <sup>1</sup>   |
| 额定电流 /Rated current                                     | 17A(1.5mm <sup>2</sup> )<br>22A(2.5mm <sup>2</sup> ;14AWG)<br>30A(4mm <sup>2</sup> ;6mm <sup>2</sup> ;12AWG,10AWG) |
| 测试电压 /Test voltage                                      | 6kV(50HZ,1min.)  |
| 环境温度范围 /Ambient temperature range                       | -40° c...+90°C (IEC) -40°C ...+75°C (UL)   |
| 上限温度 /Upper limiting temper ature                       | +105° C(IEC)   |
| 保护等级, 配接 /Degree of protection,mated                    | IP67   |
| 未配对 /unmated  | IP2X   |
| 插头连接器的耐受性 /Comtact resistanceof plug connectors         | 0.5mΩ  |
| 安全等级 /Safetyclass                                       | II   |
| 触头材料 /Contact material                                  | 铜合金, 镀锡 /Messing,verzint Copper Alloy,tin plated   |
| 绝缘材料 /Insulation material                               | PC/PPO   |
| 锁定系统 /Locking system                                    | 管理单元 /Snap-in  |
| 火焰等级 /Flame class                                       | UL94-V0  |
| 盐雾试验, 严重性等级 5/Salt mist spray test,degree of severity 5 | IEC 60068-2-52   |

尺寸图 /DIMENSIONAL DRAWING(MM)



■ HX-MC4-M01 (1000V)

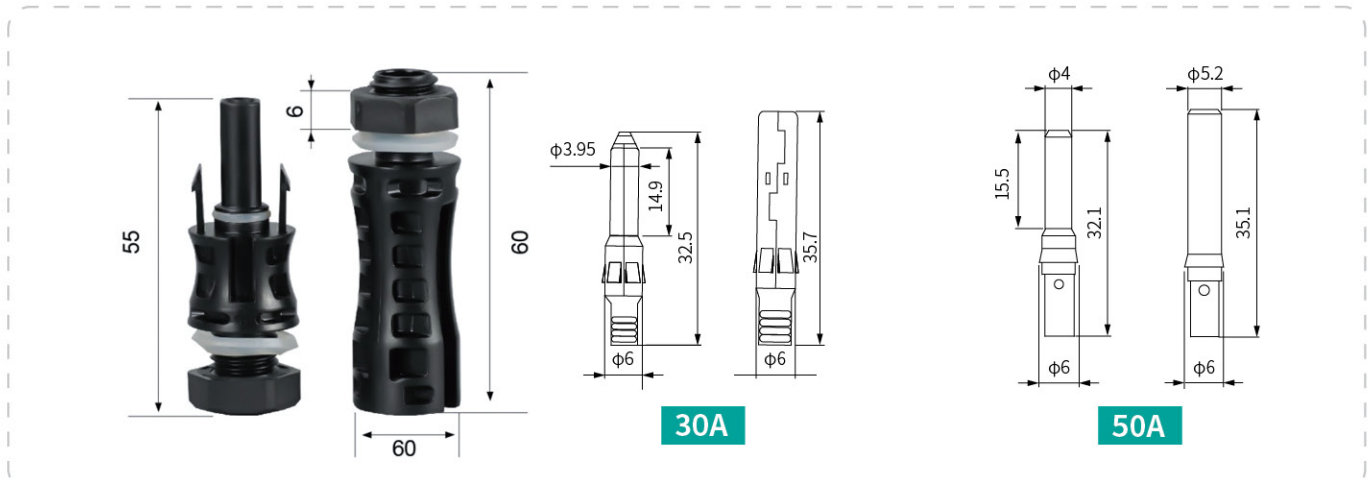




技术数据 / Technical Data

|   |   |
|---|---|
| 连接器系统 /Connector system                                 | Φ4mm  |
| 额定电压 /Rated voltage                                     | 1500V DC(IEC) <sup>1</sup> 1000V/1500V DC(UL) <sup>1</sup>  |
| 额定电流 /Rated current                                     | 17A(1.5mm <sup>2</sup> )<br>22A(2.5mm <sup>2</sup> ;14AWG)<br>30A(4mm <sup>2</sup> ;6mm <sup>2</sup> ;10mm <sup>2</sup> ;12AWG,10AWG) |
| 测试电压 /Test voltage                                      | 6kV(50HZ,1min.)   |
| 环境温度范围 /Ambient temperature range                       | -40° c...+90°C (IEC) -40°C ...+75°C (UL)  |
| 上限温度 /Upper limiting temper ature                       | +105° C(IEC)  |
| 保护等级, 配接 /Degree of protection,mated                    | IP67  |
| 未配对 /unmated  | IP2X  |
| 插头连接器的耐受性 /Comtact resistanceof plug connectors         | 0.5mΩ   |
| 安全等级 /Safetyclass                                       | II  |
| 触头材料 /Contact material                                  | 铜合金, 镀锡 /Messing,verzinkt Copper Alloy,tin plated   |
| 绝缘材料 /Insulation material                               | PC/PV   |
| 锁定系统 /Locking system                                    | 管理单元 /Snap-in   |
| 火焰等级 /Flame class                                       | UL94-V0   |
| 盐雾试验, 严重性等级 5/Salt mist spray test,degree of severity 5 | IEC 60068-2-52  |

尺寸图 /DIMENSIONAL DRAWING(MM)



■ HX-MC4-M02 (1500V)

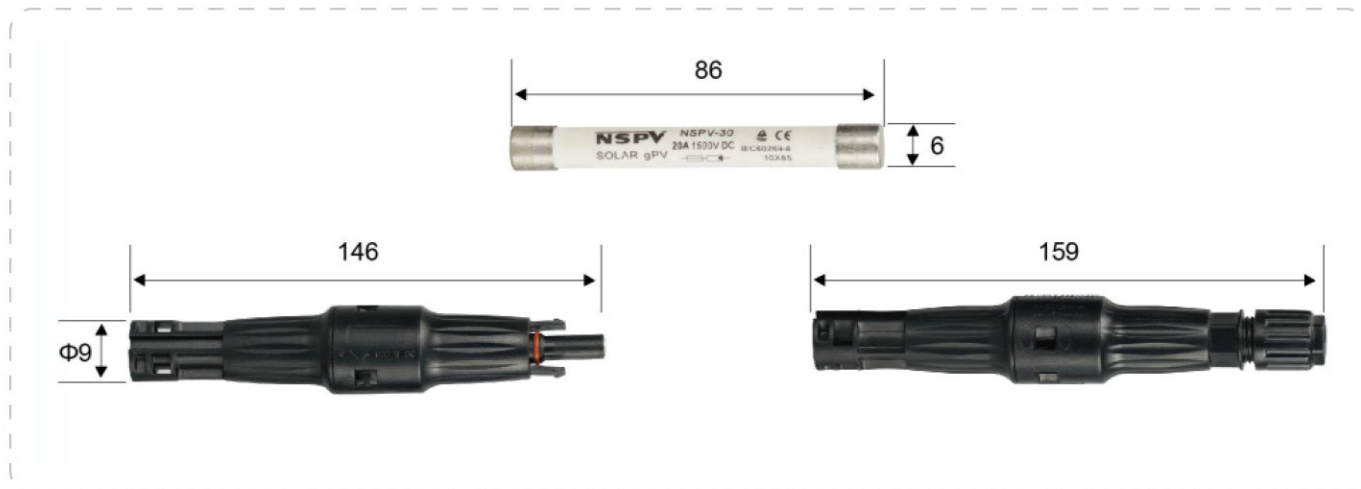


技术数据 / Technical Data



|   |  |
|---|--|
| 连接器系统 /Connector system                                 | Φ4mm   |
| 额定电压 /Rated voltage                                     | 1000V DC(IEC) <sup>1</sup> 1000V/1500V DC(UL) <sup>1</sup>   |
| 额定电流 /Rated current                                     | 17A(1.5mm <sup>2</sup> )<br>22A(2.5mm <sup>2</sup> ;14AWG)<br>30A(4mm <sup>2</sup> ;6mm <sup>2</sup> ;12AWG,10AWG) |
| 测试电压 /Test voltage                                      | 6kV(50HZ,1min.)  |
| 环境温度范围 /Ambient temperature range                       | -40° c...+90°C (IEC) -40°C ...+75°C (UL)   |
| 上限温度 /Upper limiting temper ature                       | +105° C(IEC)   |
| 保护等级, 配接 /Degree of protection,mated                    | IP67   |
| 未配对 /unmated  | IP2X   |
| 插头连接器的耐受性 /Comtact resistanceof plug connectors         | 0.5mΩ  |
| 安全等级 /Safetyclass                                       | II   |
| 触头材料 /Contact material                                  | 铜合金, 镀锡 /Messing,verzinnt Copper Alloy,tin plated  |
| 绝缘材料 /Insulation material                               | PC/PPO   |
| 锁定系统 /Locking system                                    | 管理单元 /Snap-in  |
| 火焰等级 /Flame class                                       | UL94-V0  |
| 盐雾试验, 严重性等级 5/Salt mist spray test,degree of severity 5 | IEC 60068-2-52   |

尺寸图 /DIMENSIONAL DRAWING(MM)



■ HX-MC4-B01 (1000V)

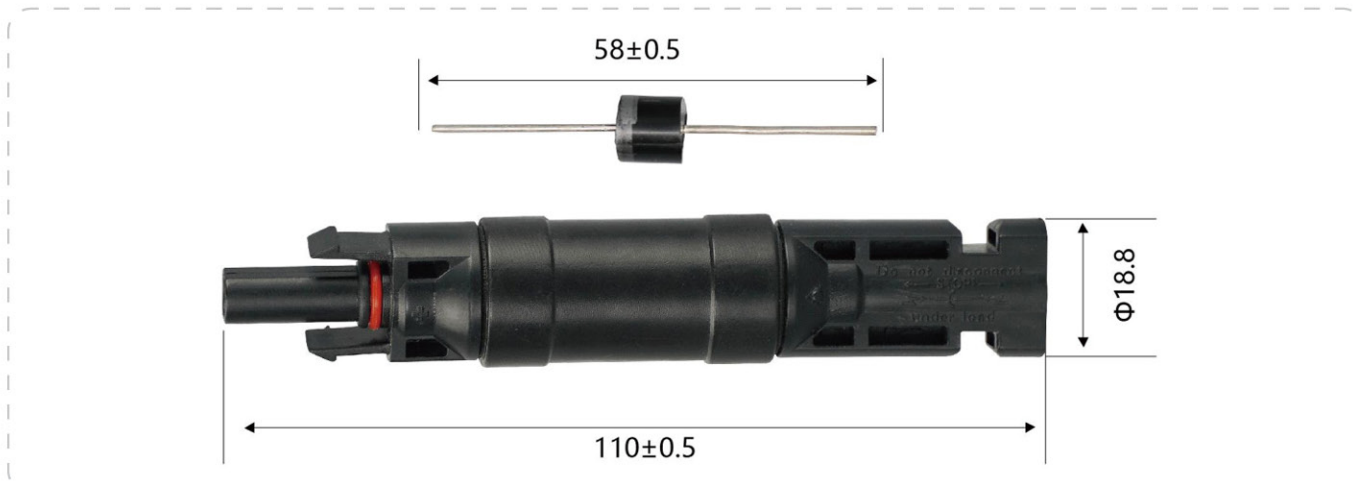


技术数据 / Technical Data



|   |   |
|---|---|
| 连接器系统 /Connector system                                 | Φ4mm  |
| 额定电压 /Rated voltage                                     | 1000V DC  |
| 额定电流 /Rated current                                     | 10A<br>15A<br>20A                                 |
| 测试电压 /Test voltage                                      | 6kV(50HZ,1min.)                                   |
| 环境温度范围 /Ambient temperature range                       | -40° c...+90°C (IEC)                              |
| 上限温度 /Upper limiting temper ature                       | +105° C(IEC)                                      |
| 保护等级, 配接 /Degree of protection,mated                    | IP67  |
| 未配对 /unmated  | IP2X  |
| 插头连接器的耐受性 /Comtact resistanceof plug connectors         | 0.5mΩ   |
| 安全等级 /Safetyclass                                       | II  |
| 触头材料 /Contact material                                  | 铜合金, 镀锡 /Messing,verzinnt Copper Alloy,tin plated |
| 绝缘材料 /Insulation material                               | PC/PPO  |
| 锁定系统 /Locking system                                    | 管理单元 /Snap-in                                     |
| 火焰等级 /Flame class                                       | UL94-V0   |
| 盐雾试验, 严重性等级 5/Salt mist spray test,degree of severity 5 | IEC 60068-2-52                                    |

尺寸图 /DIMENSIONAL DRAWING(MM)



■ HX-MC4-B02



技术数据 / Technical Data



|   |   |
|---|---|
| 连接器系统 /Connector system                                 | Φ4mm  |
| 额定电压 /Rated voltage                                     | 1000V DC  |
| 额定电流 /Rated current                                     | 10A 15A<br>20A 30A                                |
| 测试电压 /Test voltage                                      | 6kV(50HZ,1min.)                                   |
| 环境温度范围 /Ambient temperature range                       | -40° c...+90°C (IEC)                              |
| 上限温度 /Upper limiting temper ature                       | +105° C(IEC)                                      |
| 保护等级, 配接 /Degree of protection,mated                    | IP67  |
| 未配对 /unmated  | IP2X  |
| 插头连接器的耐受性 /Comtact resistanceof plug connectors         | 0.5mΩ   |
| 安全等级 /Safetyclass                                       | II  |
| 触头材料 /Contact material                                  | 铜合金, 镀锡 /Messing,verzinnt Copper Alloy,tin plated |
| 绝缘材料 /Insulation material                               | PC/PPO  |
| 锁定系统 /Locking system                                    | 管理单元 /Snap-in                                     |
| 火焰等级 /Flame class                                       | UL94-V0   |
| 盐雾试验, 严重性等级 5/Salt mist spray test,degree of severity 5 | IEC 60068-2-52                                    |

尺寸图 /DIMENSIONAL DRAWING(MM)



■ HX-MC4-B03

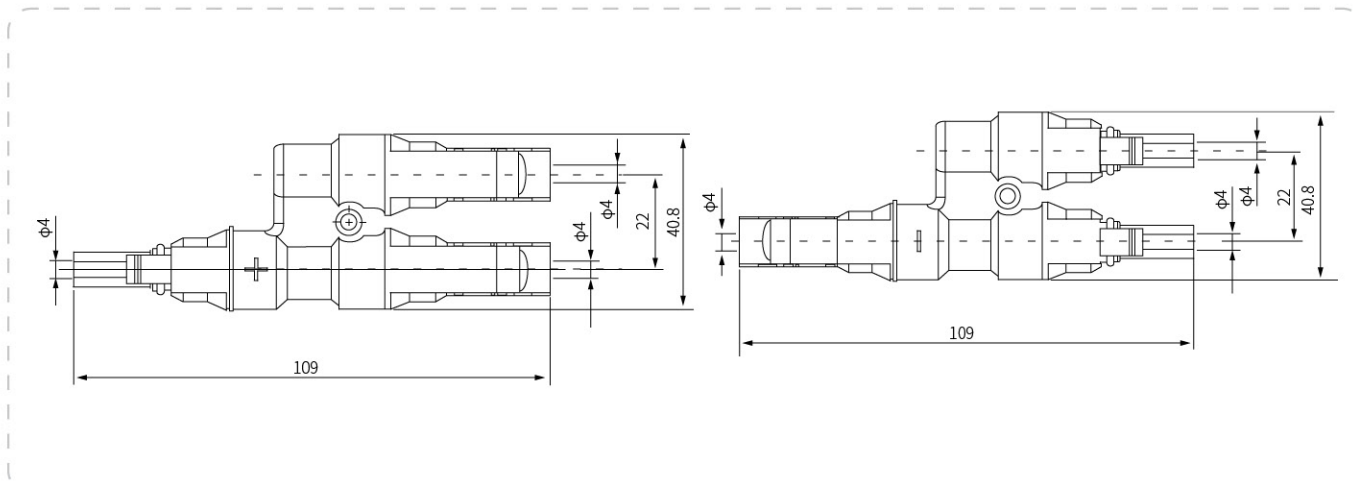


技术数据 / Technical Data



|                                      |                           |
|--------------------------------------|---------------------------|
| 绝缘材料 /Insulation material            | PPO                       |
| 额触头材料 /Contact material              | 铜, 镀锡 /Copper, Tin plated |
| 适用电流 /Suitable Currentt              | 50A                       |
| 额定电流 /Rated current                  | 1000V (TUV) 600V (UL)     |
| 测试电压 /Test voltage                   | 6KV(TUV50HZ,1min)         |
| 接触电阻 /Contact Resistance             | < 0.5mΩ                   |
| 保护等级, 配接 /Degree of protection,mated | IP67                      |
| 环境温度范围 /Ambient temperature range    | -40°C ~+85°C              |
| 安全等级 /Safetyclass                    | UL94-V0                   |
| 火焰等级 /Flame class                    | II                        |
| 引脚尺寸 /Pin Dimensions                 | Φ4mm                      |

尺寸图 /DIMENSIONAL DRAWING(MM)



■ HX-MC4-T3

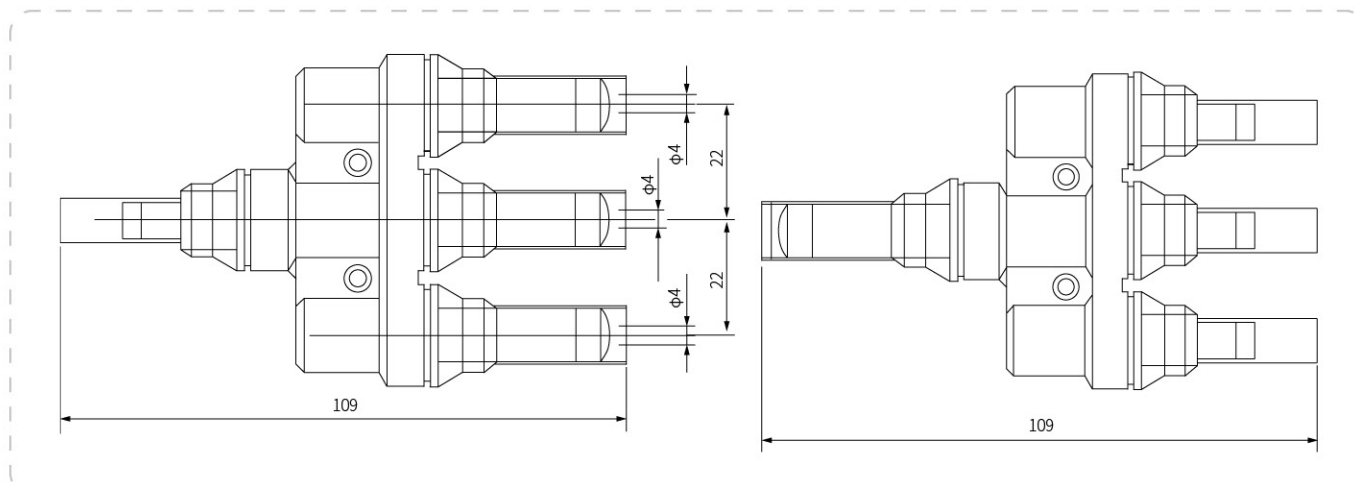


技术数据 / Technical Data



|                                      |                           |
|--------------------------------------|---------------------------|
| 绝缘材料 /Insulation material            | PPO                       |
| 额触头材料 /Contact material              | 铜， 镀锡 /Copper, Tin plated |
| 适用电流 /Suitable Currentt              | 50A                       |
| 额定电流 /Rated current                  | 1000V (TUV) 600V (UL)     |
| 测试电压 /Test voltage                   | 6KV(TUV50HZ,1min)         |
| 接触电阻 /Contact Resistance             | < 0.5mΩ                   |
| 保护等级， 配接 /Degree of protection,mated | IP67                      |
| 环境温度范围 /Ambient temperature range    | -40°C ~+85°C              |
| 安全等级 /Safetyclass                    | UL94-V0                   |
| 火焰等级 /Flame class                    | II                        |
| 引脚尺寸 /Pin Dimensions                 | Φ4mm                      |

尺寸图 /DIMENSIONAL DRAWING(MM)



■ HX-MC4-T4



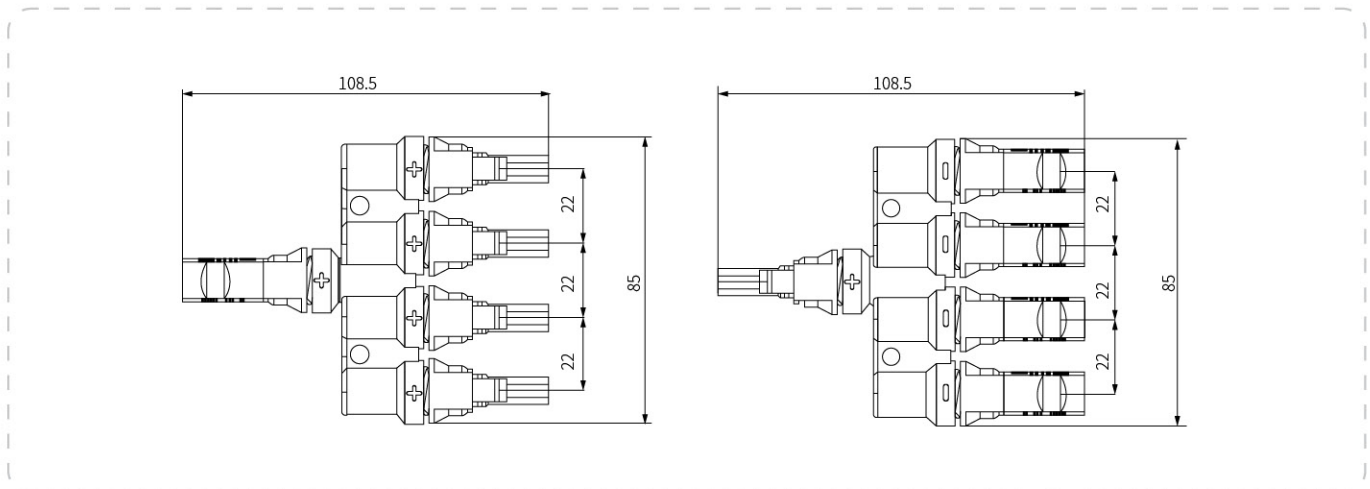


技术数据 / Technical Data



|                                      |                           |
|--------------------------------------|---------------------------|
| 绝缘材料 /Insulation material            | PPO                       |
| 额触头材料 /Contact material              | 铜, 镀锡 /Copper, Tin plated |
| 适用电流 /Suitable Currentt              | 30A                       |
| 额定电流 /Rated current                  | 1000V (TUV) 600V (UL)     |
| 测试电压 /Test voltage                   | 6KV(TUV50HZ,1min)         |
| 接触电阻 /Contact Resistance             | < 0.5mΩ                   |
| 保护等级, 配接 /Degree of protection,mated | IP67                      |
| 环境温度范围 /Ambient temperature range    | -40°C ~+85°C              |
| 安全等级 /Safetyclass                    | UL94-V0                   |
| 火焰等级 /Flame class                    | II                        |
| 引脚尺寸 /Pin Dimensions                 | Φ4mm                      |

尺寸图 /DIMENSIONAL DRAWING(MM)



■ HX-MC4-T5

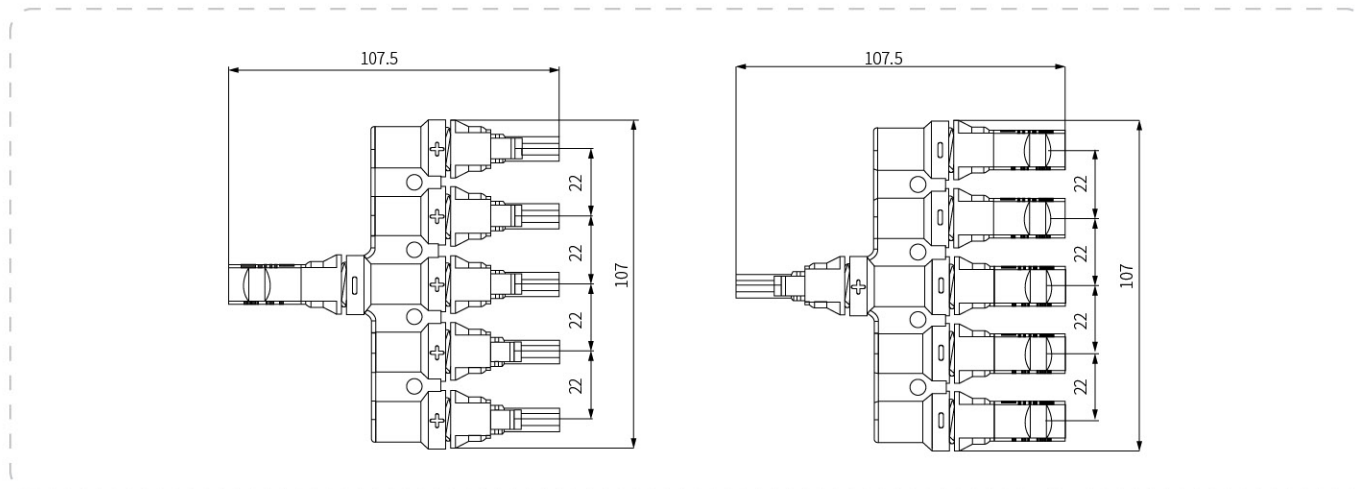


技术数据 / Technical Data



|                                      |                           |
|--------------------------------------|---------------------------|
| 绝缘材料 /Insulation material            | PPO                       |
| 接触头材料 /Contact material              | 铜, 镀锡 /Copper, Tin plated |
| 适用电流 /Suitable Currentt              | 30A                       |
| 额定电流 /Rated current                  | 1000V (TUV) 600V (UL)     |
| 测试电压 /Test voltage                   | 6KV(TUV50HZ,1min)         |
| 接触电阻 /Contact Resistance             | < 0.5mΩ                   |
| 保护等级, 配接 /Degree of protection,mated | IP67                      |
| 环境温度范围 /Ambient temperature range    | -40°C ~+85°C              |
| 安全等级 /Safetyclass                    | UL94-V0                   |
| 火焰等级 /Flame class                    | II                        |
| 引脚尺寸 /Pin Dimensions                 | Φ4mm                      |

尺寸图 /DIMENSIONAL DRAWING(MM)



■ HX-MC4-T6

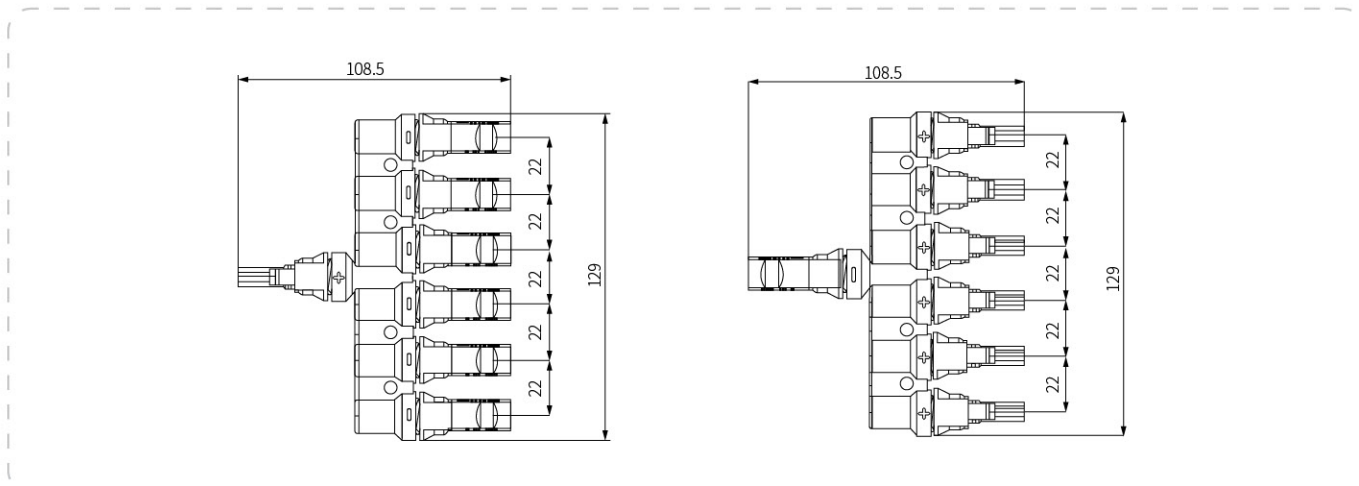


技术数据 / Technical Data



|                                      |                           |
|--------------------------------------|---------------------------|
| 绝缘材料 /Insulation material            | PPO                       |
| 额触头材料 /Contact material              | 铜, 镀锡 /Copper, Tin plated |
| 适用电流 /Suitable Currentt              | 50A                       |
| 额定电流 /Rated current                  | 1000V (TUV) 600V (UL)     |
| 测试电压 /Test voltage                   | 6KV(TUV50HZ,1min)         |
| 接触电阻 /Contact Resistance             | < 0.5mΩ                   |
| 保护等级, 配接 /Degree of protection,mated | IP67                      |
| 环境温度范围 /Ambient temperature range    | -40°C ~+85°C              |
| 安全等级 /Safetyclass                    | UL94-V0                   |
| 火焰等级 /Flame class                    | II                        |
| 引脚尺寸 /Pin Dimensions                 | Φ4mm                      |

尺寸图 /DIMENSIONAL DRAWING(MM)



■ HX-MC4-T7

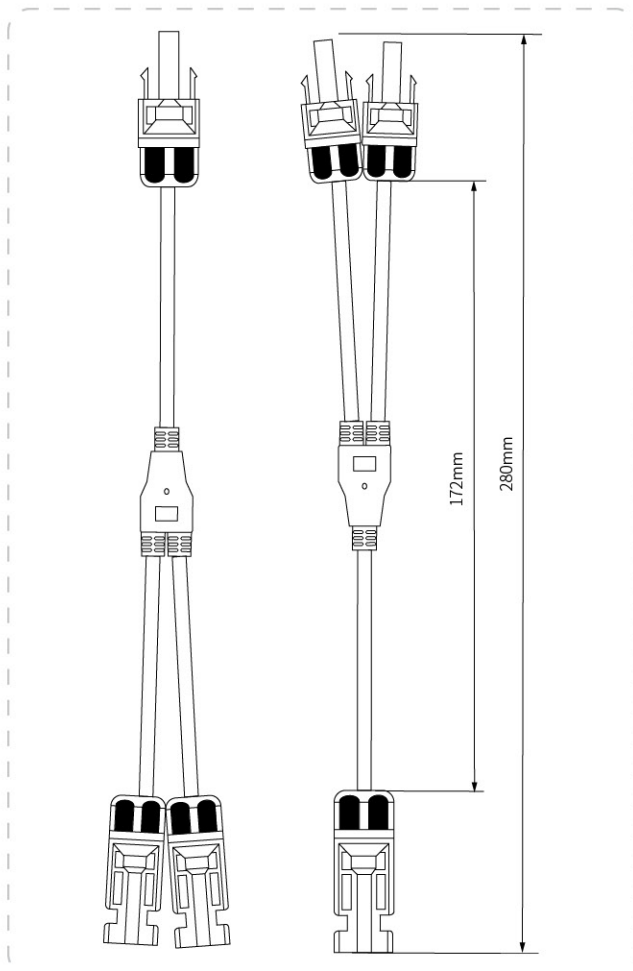




技术数据 / Technical Data

|   |   |
|---|---|
| 连接器系统 /Connector system                                 | Φ4mm  |
| 额定电压 /Rated voltage                                     | 1000V DC(IEC) <sup>1</sup>                        |
| 额定电流 /Rated current                                     | 30A   |
| 测试电压 /Test voltage                                      | 6kV(50HZ,1min.)                                   |
| 环境温度范围 /Ambient temperature range                       | -40° c...+90°C (IEC) -40°C ...+75°C (UL)          |
| 上限温度 /Upper limiting temper ature                       | +105° C(IEC)                                      |
| 保护等级, 配接 /Degree of protection,mated                    | IP67  |
| 未配对 /unmated  | IP2X  |
| 插头连接器的耐受性 /Comtact resistanceof plug connectors         | 0.5mΩ   |
| 安全等级 /Safetyclass                                       | II  |
| 触头材料 /Contact material                                  | 铜合金, 镀锡 /Messing,verzintt Copper Alloy,tin plated |
| 绝缘材料 /Insulation material                               | PC/PA   |
| 锁定系统 /Locking system                                    | 管理单元 /Snap-in                                     |
| 火焰等级 /Flame class                                       | UL94-V0   |
| 盐雾试验, 严重性等级 5/Salt mist spray test,degree of severity 5 | IEC 60068-2-52                                    |

尺寸图 /DIMENSIONAL DRAWING(MM)



■ HX-MC4-Y3



# 分支电缆

Branch Cable

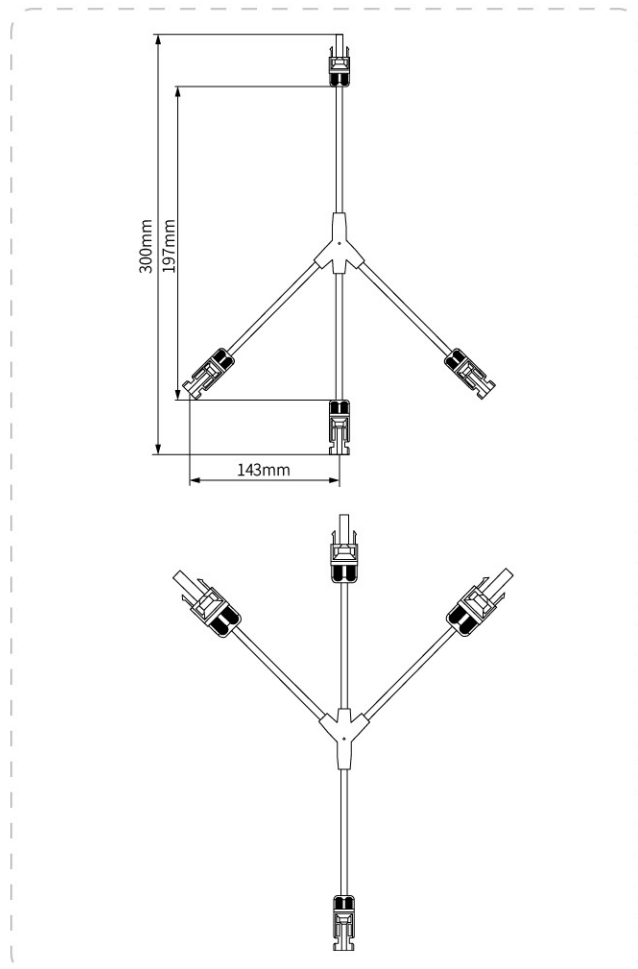
## 技术数据 / Technical Data

CE

|   |   |
|---|---|
| 连接器系统 /Connector system                                 | Φ4mm  |
| 额定电压 /Rated voltage                                     | 1000V DC(IEC) <sup>1</sup>                        |
| 额定电流 /Rated current                                     | 30A   |
| 测试电压 /Test voltage                                      | 6kV(50HZ,1min.)                                   |
| 环境温度范围 /Ambient temperature range                       | -40° c...+90°C (IEC) -40°C ...+75°C (UL)          |
| 上限温度 /Upper limiting temper ature                       | +105° C(IEC)                                      |
| 保护等级, 配接 /Degree of protection,mated                    | IP67  |
| 未配对 /unmated  | IP2X  |
| 插头连接器的耐受性 /Comtact resistanceof plug connectors         | 0.5mΩ   |
| 安全等级 /Safetyclass                                       | II  |
| 触头材料 /Contact material                                  | 铜合金, 镀锡 /Messing,verzintt Copper Alloy,tin plated |
| 绝缘材料 /Insulation material                               | PC/PA   |
| 锁定系统 /Locking system                                    | 管理单元 /Snap-in                                     |
| 火焰等级 /Flame class                                       | UL94-V0   |
| 盐雾试验, 严重性等级 5/Salt mist spray test,degree of severity 5 | IEC 60068-2-52                                    |

## 尺寸图 /DIMENSIONAL DRAWING(MM)

## ■ HX-MC4-Y4

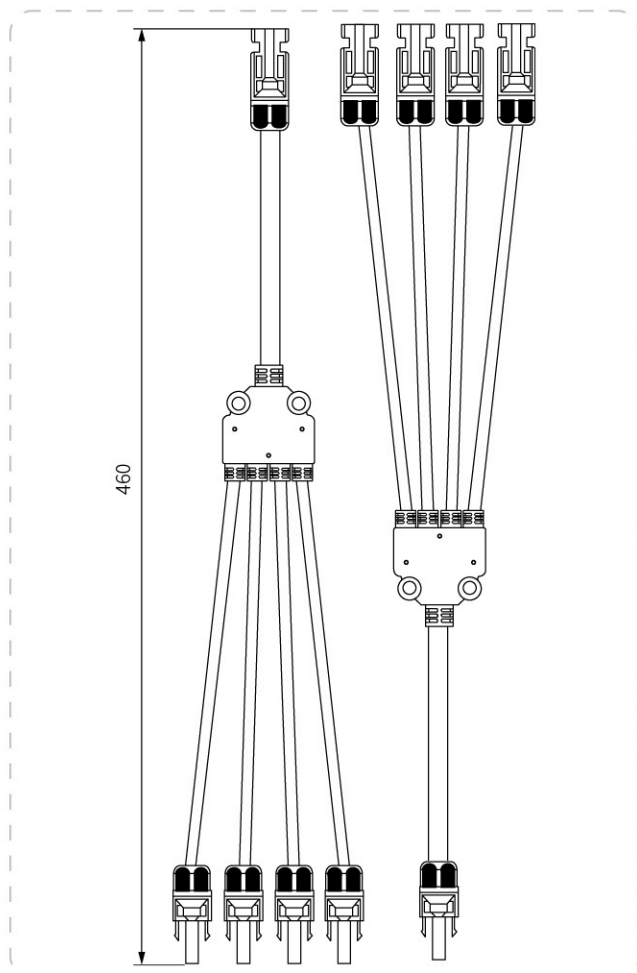


技术数据 / Technical Data



|   |   |
|---|---|
| 连接器系统 /Connector system                                 | Φ4mm  |
| 额定电压 /Rated voltage                                     | 1000V DC(IEC) <sup>1</sup>                        |
| 额定电流 /Rated current                                     | 30A   |
| 测试电压 /Test voltage                                      | 6kV(50HZ,1min.)                                   |
| 环境温度范围 /Ambient temperature range                       | -40° c...+90°C (IEC) -40°C ...+75°C (UL)          |
| 上限温度 /Upper limiting temper ature                       | +105° C(IEC)                                      |
| 保护等级, 配接 /Degree of protection,mated                    | IP67  |
| 未配对 /unmated  | IP2X  |
| 插头连接器的耐受性 /Comtact resistanceof plug connectors         | 0.5mΩ   |
| 安全等级 /Safetyclass                                       | II  |
| 触头材料 /Contact material                                  | 铜合金, 镀锡 /Messing,verzintt Copper Alloy,tin plated |
| 绝缘材料 /Insulation material                               | PC/PA   |
| 锁定系统 /Locking system                                    | 管理单元 /Snap-in                                     |
| 火焰等级 /Flame class                                       | UL94-V0   |
| 盐雾试验, 严重性等级 5/Salt mist spray test,degree of severity 5 | IEC 60068-2-52                                    |

尺寸图 /DIMENSIONAL DRAWING(MM)



■ HX-MC4-Y5





**Hoonsun**

*Eighteen years for only one thing!*

# 防水快插连接器

Waterproof push-in connectors







# 防水迷你连接器

Waterproof mini connector



## HX-KC.M16S

|   |   |
|---|---|
| 防护等级 /Ingress protection                    | IP68  |
| 耐温性 /Temperature resistance                 | -40°C ~105°C  |
| 存储温度 /Storage temperature                   | 常温 /Room Temperature                                    |
| 主体材质 /Body Material                         | PA66 尼龙 (阻燃) /PA66 Nylon (Flame Retardant)              |
| O型圈材质 /O-ring material                      | 硅胶 (环保材质) /Silicone (Environmentally Friendly Material) |
| 适用电缆范围 /Applicable cable range              | Φ3-6.5 Φ4-8 Φ7-10                                       |
| 接线方式 /Wiring                                | 螺丝压接 /Screw Crimping                                    |
| 导体材质 /Conductor material                    | 59-1 黄铜镀镍 /59-1 Brass Nickel Plated                     |
| 适用线平方数 /The number of lines squared applies | 0.5~2.5mm <sup>2</sup>                                  |
| 测试电压 /Test Voltage                          | 250V  |
| 额定电压 / 电流 /Rated voltage/Current            | 400V/25A  |
| 阻燃等级 /Flammability Rating                   | UL-94V0   |



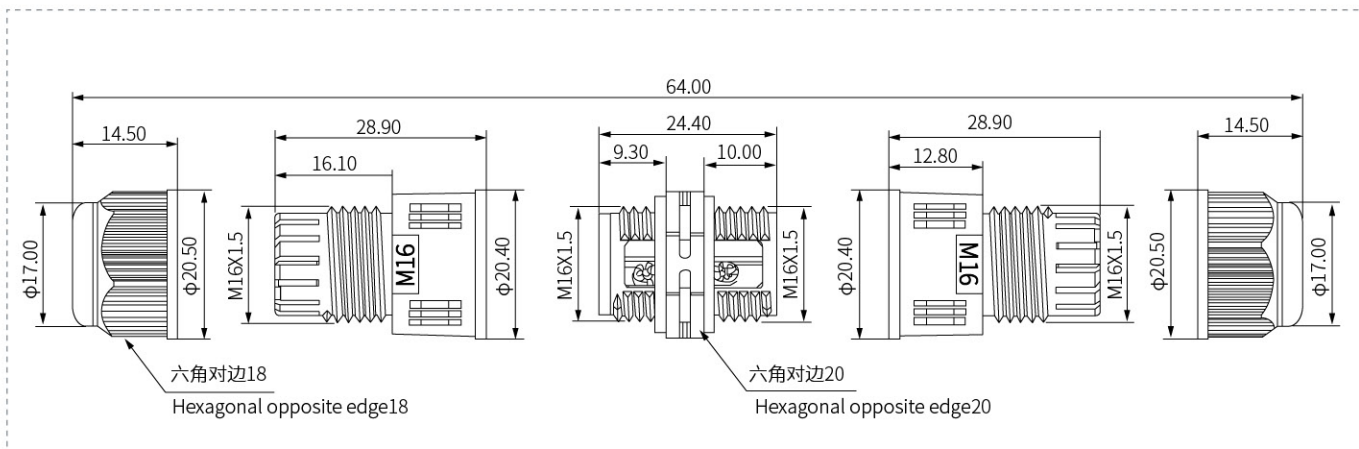
### 规格参数表 /Specification table

| 规格<br>specification | 芯数<br>Number of cores | 锁紧范围<br>Locking range | 数量 / 包<br>Quantity/package | 产品编号<br>Product number |
|---------------------|-----------------------|-----------------------|----------------------------|------------------------|
| M16                 | 2 芯                   | 3-6.5                 | 20                         | HX-KC.M16S/M2-6.5      |
|                     |                       | 4-8                   | 20                         | HX-KC.M16S/M2-8        |
|                     |                       | 7-10                  | 20                         | HX-KC.M16S/M2-10       |
|                     | 3 芯                   | 3-6.5                 | 20                         | HX-KC.M16S/M3-6.5      |
|                     |                       | 4-8                   | 20                         | HX-KC.M16S/M3-8        |
|                     |                       | 7-10                  | 20                         | HX-KC.M16S/M3-10       |

### 使用图示 /Use the diagram



### 尺寸图 /Dimensional drawing



HX-KC.M25S

|   |  |
|---|--|
| 防护等级 /Ingress protection                    | IP68   |
| 耐温性 /Temperature resistance                 | -40°C ~105°C   |
| 存储温度 /Storage temperature                   | 常温 /Room Temperature                                     |
| 主体材质 /Body Material                         | PA66 尼龙 (阻燃) /PA66 Nylon (Flame Retardant)               |
| O型圈材质 /O-ring material                      | 硅胶 (环保材质) /Silicone (Environmentally Friendly Material)  |
| 适用电缆范围 /Applicable cable range              | Φ5-8 Φ9-12 Φ10-14  |
| 接线方式 /Wiring                                | 螺丝压接 /Screw Crimping                                     |
| 导体材质 /Conductor material                    | Y2 紫铜镀镍 + 不锈钢 /Y2 copper nickel plated + stainless steel |
| 适用线平方数 /The number of lines squared applies | 0.5~2.5mm <sup>2</sup>                                   |
| 测试电压 /Test Voltage                          | 2500V  |
| 额定电压 / 电流 /Rated voltage/Current            | 400V/25A   |
| 阻燃等级 /Flammability Rating                   | UL-94V0  |



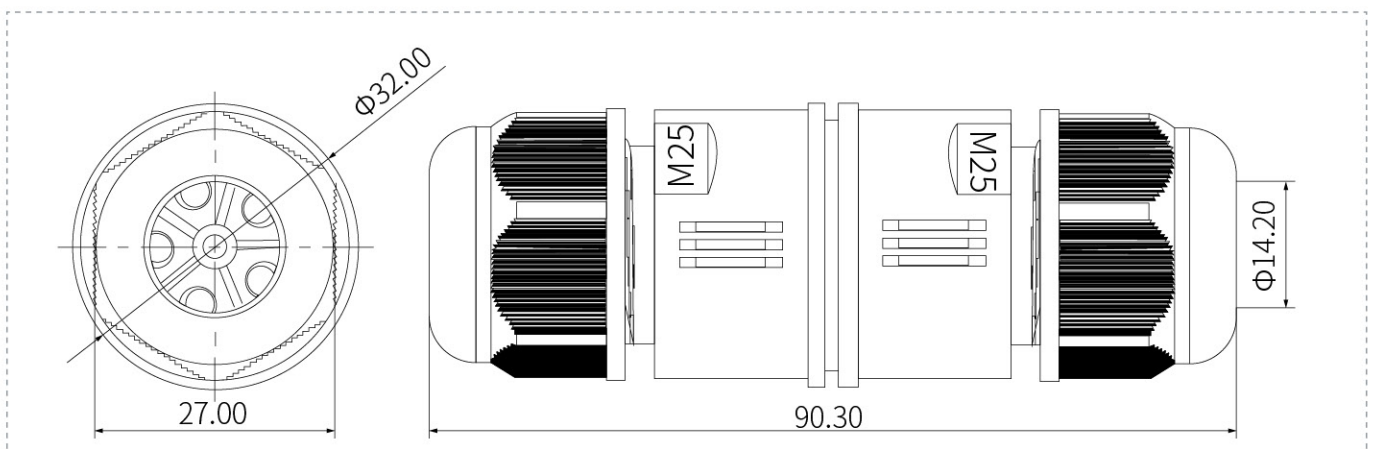
规格参数表 /Specification table

| 规格<br>specification | 芯数<br>Number of cores | 锁紧范围<br>Locking range | 数量 / 包<br>Quantity/package | 产品编号<br>Product number |
|---------------------|-----------------------|-----------------------|----------------------------|------------------------|
| M25                 | 2 芯                   | 5-8                   | 10                         | HX-KC.M25S/M2-8        |
|                     |                       | 9-12                  | 10                         | HX-KC.M25S/M2-12       |
|                     |                       | 10-14                 | 10                         | HX-KC.M25S/M2-14       |
|                     | 3 芯                   | 5-8                   | 10                         | HX-KC.M25S/M3-8        |
|                     |                       | 9-12                  | 10                         | HX-KC.M25S/M3-12       |
|                     |                       | 10-14                 | 10                         | HX-KC.M25S/M3-14       |
|                     | 4 芯                   | 5-8                   | 10                         | HX-KC.M25S/M4-8        |
|                     |                       | 9-12                  | 10                         | HX-KC.M25S/M4-12       |
|                     |                       | 10-14                 | 10                         | HX-KC.M25S/M4-14       |
|                     | 5 芯                   | 5-8                   | 10                         | HX-KC.M25S/M5-8        |
|                     |                       | 9-12                  | 10                         | HX-KC.M25S/M5-12       |
|                     |                       | 10-14                 | 10                         | HX-KC.M25S/M5-14       |

使用图示 /Use the diagram



尺寸图 /Dimensional drawing





# 防水快插连接器

Waterproof push-in connectors

## HX-KC.M25

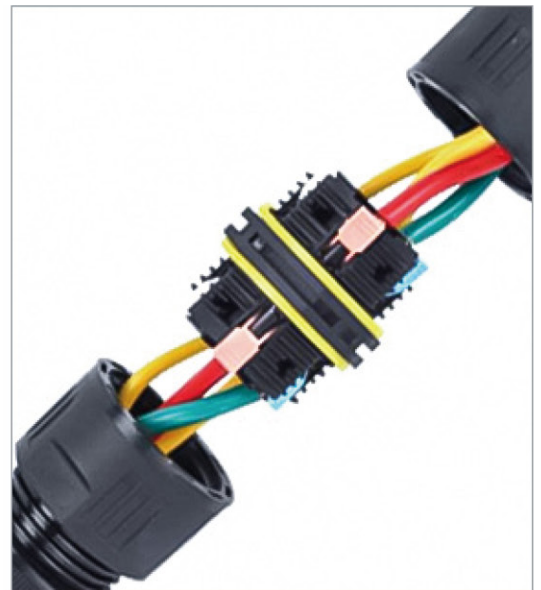
|   |  |
|---|--|
| 防护等级 /Ingress protection                    | IP68   |
| 耐温性 /Temperature resistance                 | -40°C ~105°C   |
| 存储温度 /Storage temperature                   | 常温 /Room Temperature                                     |
| 主体材质 /Body Material                         | PA66 尼龙 (阻燃) /PA66 Nylon (Flame Retardant)               |
| O 型圈材质 /O-ring material                     | 硅胶 (环保材质) /Silicone (Environmentally Friendly Material)  |
| 适用电缆范围 /Applicable cable range              | Φ5-8 Φ9-12 Φ10-14  |
| 导体材质 /Conductor material                    | Y2 紫铜镀镍 + 不锈钢 /Y2 copper nickel plated + stainless steel |
| 适用线平方数 /The number of lines squared applies | 0.5~2.5mm <sup>2</sup>                                   |
| 测试电压 /Test Voltage                          | 2500V  |
| 额定电压 / 电流 /Rated voltage/Current            | 400V/25A   |
| 阻燃等级 /Flammability Rating                   | UL-94V0  |



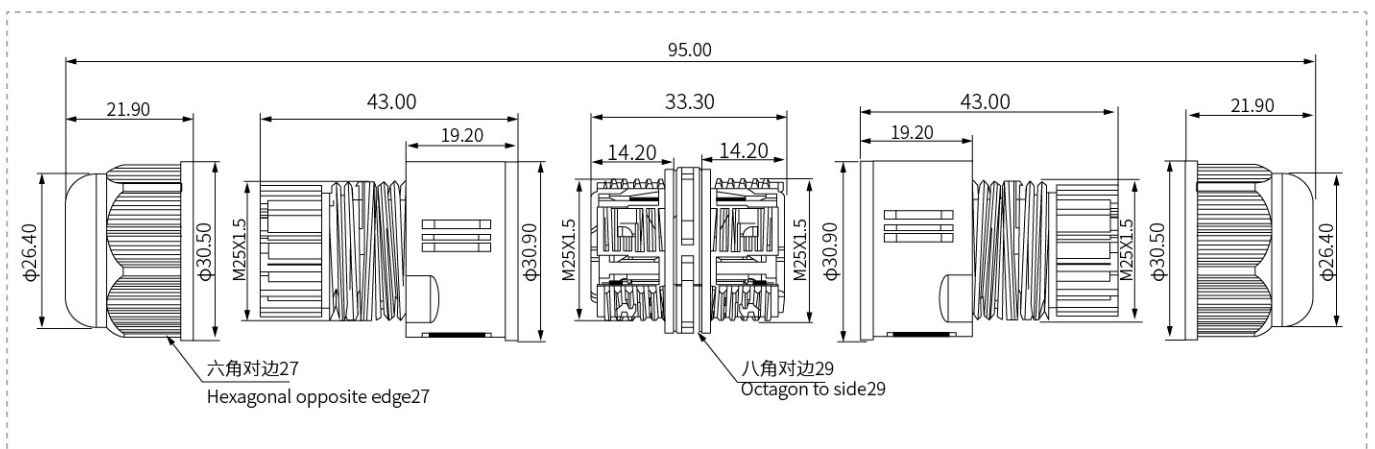
### 规格参数表 /Specification table

| 规格<br>specification | 芯数<br>Number of cores | 锁紧范围<br>Locking range | 数量 / 包<br>Quantity/package | 产品编号<br>Product number |
|---------------------|-----------------------|-----------------------|----------------------------|------------------------|
| M25                 | 2 芯                   | 5-8                   | 10                         | HX-KC.M25/M2-8         |
|                     |                       | 9-12                  | 10                         | HX-KC.M25/M2-12        |
|                     |                       | 10-14                 | 10                         | HX-KC.M25/M2-14        |
|                     | 3 芯                   | 5-8                   | 10                         | HX-KC.M25/M3-8         |
|                     |                       | 9-12                  | 10                         | HX-KC.M25/M3-12        |
|                     |                       | 10-14                 | 10                         | HX-KC.M25/M3-14        |
|                     | 4 芯                   | 5-8                   | 10                         | HX-KC.M25/M4-8         |
|                     |                       | 9-12                  | 10                         | HX-KC.M25/M4-12        |
|                     |                       | 10-14                 | 10                         | HX-KC.M25/M4-14        |
|                     | 5 芯                   | 5-8                   | 10                         | HX-KC.M25/M5-8         |
|                     |                       | 9-12                  | 10                         | HX-KC.M25/M5-12        |
|                     |                       | 10-14                 | 10                         | HX-KC.M25/M5-14        |

### 使用图示 /Use the diagram



### 尺寸图 /Dimensional drawing



HX-KC.M25F

|   |  |
|---|--|
| 防护等级 /Ingress protection                    | IP68   |
| 耐温性 /Temperature resistance                 | -40°C ~105°C   |
| 存储温度 /Storage temperature                   | 常温 /Room Temperature                                     |
| 主体材质 /Body Material                         | PA66 尼龙 (阻燃) /PA66 Nylon (Flame Retardant)               |
| O 型圈材质 /O-ring material                     | 硅胶 (环保材质) /Silicone (Environmentally Friendly Material)  |
| 适用电缆范围 /Applicable cable range              | Φ5-8 Φ9-12 Φ10-14  |
| 导体材质 /Conductor material                    | Y2 紫铜镀镍 + 不锈钢 /Y2 copper nickel plated + stainless steel |
| 适用线平方数 /The number of lines squared applies | 0.5~2.5mm <sup>2</sup>                                   |
| 测试电压 /Test Voltage                          | 2500V  |
| 额定电压 / 电流 /Rated voltage/Current            | 400V/25A   |
| 阻燃等级 /Flammability Rating                   | UL-94V0  |



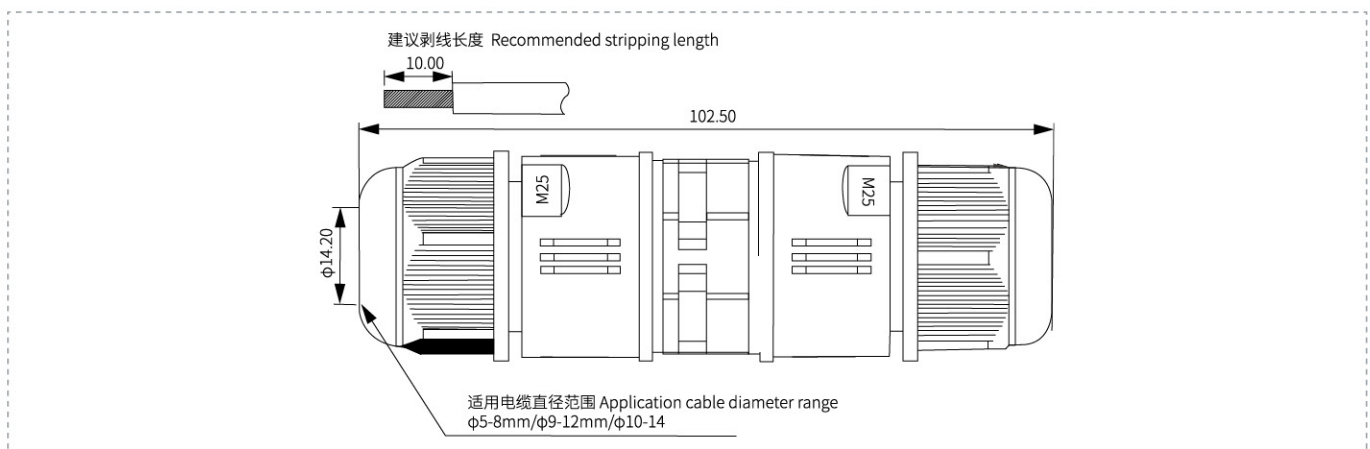
规格参数表 /Specification table

| 规格<br>specification | 芯数<br>Number of cores | 锁紧范围<br>Locking range | 数量 / 包<br>Quantity/package | 产品编号<br>Product number |
|---------------------|-----------------------|-----------------------|----------------------------|------------------------|
| M25                 | 2 芯                   | 5-8                   | 10                         | HX-KC.M25F/M2-8        |
|                     |                       | 9-12                  | 10                         | HX-KC.M25F/M2-12       |
|                     |                       | 10-14                 | 10                         | HX-KC.M25F/M2-14       |
|                     | 3 芯                   | 5-8                   | 10                         | HX-KC.M25F/M3-8        |
|                     |                       | 9-12                  | 10                         | HX-KC.M25F/M3-12       |
|                     |                       | 10-14                 | 10                         | HX-KC.M25F/M3-14       |

使用图示 /Use the diagram



尺寸图 /Dimensional drawing



# 防水 T 型快插连接器

Waterproof T-type quick plug connector

## HX-KC.M20T

|   |  |
|---|--|
| 防护等级 /Ingress protection                    | IP68   |
| 耐温性 /Temperature resistance                 | -40°C ~105°C   |
| 贮存温度 /Storage temperature                   | 常温 /Room Temperature                                     |
| 主体材质 /Body Material                         | PA66 尼龙 ( 阻燃 )/PA66 Nylon (Flame Retardant)              |
| O 型圈材质 /O-ring material                     | 硅胶 ( 环保材质 )/Silicone (Environmentally Friendly Material) |
| 适用电缆范围 /Applicable cable range              | Φ5-8 Φ9-12   |
| 接线方式 /Wiring                                | 卡扣按压接线 /Snap-on Wiring                                   |
| 导体材质 /Conductor material                    | Y2 紫铜镀镍 + 不锈钢 /Y2 copper nickel plated + stainless steel |
| 适用线平方数 /The number of lines squared applies | 0.5~2.5mm <sup>2</sup>                                   |
| 测试电压 /Test Voltage                          | 1500V  |
| 额定电压 / 电流 /Rated voltage/Current            | 380V/16A   |
| 阻燃等级 /Flammability Rating                   | UL-94V0  |



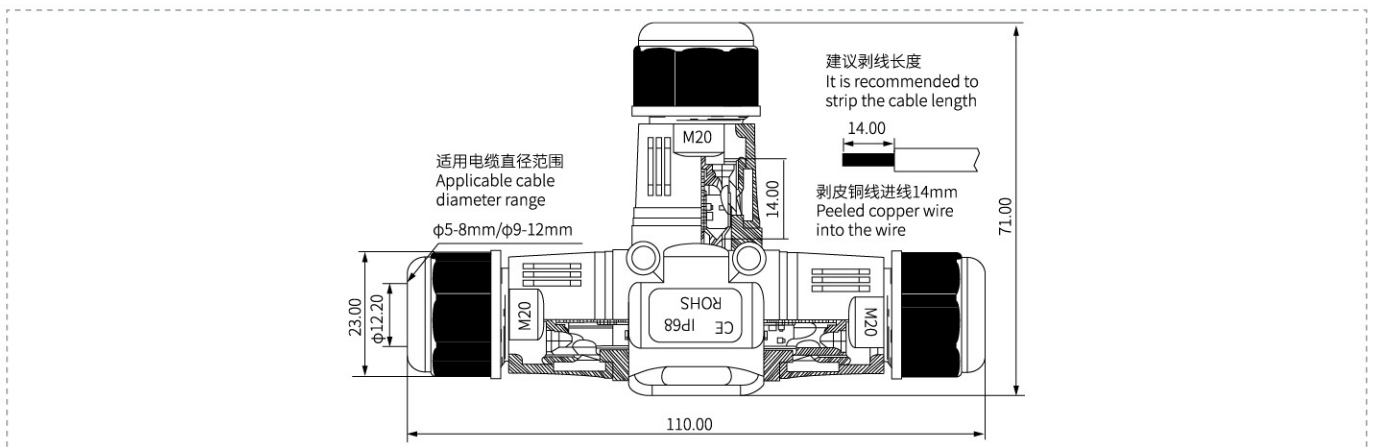
### 规格参数表 /Specification table

| 规格<br>specification | 芯数<br>Number of cores | 锁紧范围<br>Locking range | 数量 / 包<br>Quantity/package | 产品编号<br>Product number |
|---------------------|-----------------------|-----------------------|----------------------------|------------------------|
| M20                 | 2 芯                   | 5-8                   | 10                         | HX-KC.M20T/M2-8        |
|                     |                       | 9-12                  | 10                         | HX-KC.M20T/M2-12       |
|                     | 3 芯                   | 5-8                   | 10                         | HX-KC.M20T/M3-8        |
|                     |                       | 9-12                  | 10                         | HX-KC.M20T/M3-12       |

### 使用图示 /Use the diagram



### 尺寸图 /Dimensional drawing



# 防水 T 型快插连接器

Waterproof T-type quick plug connector

## HX-KC.M25T-F

|   |   |
|---|---|
| 防护等级 /Ingress protection                    | IP68  |
| 耐温性 /Temperature resistance                 | -40°C ~105°C  |
| 存储温度 /Storage temperature                   | 常温 /Room Temperature                                    |
| 主体材质 /Body Material                         | PA66 尼龙 (阻燃) /PA66 Nylon (Flame Retardant)              |
| O 型圈材质 /O-ring material                     | 硅胶 (环保材质) /Silicone (Environmentally Friendly Material) |
| 适用电缆范围 /Applicable cable range              | Φ5-8 Φ9-12 Φ10-14                                       |
| 接线方式 /Wiring                                | 螺丝压接 /Screw Crimping                                    |
| 导体材质 /Conductor material                    | 59-1 黄铜镀镍 /59-1 Brass Nickel Plated                     |
| 适用线平方数 /The number of lines squared applies | 0.5~2.5mm <sup>2</sup>                                  |
| 测试电压 /Test Voltage                          | 1500V   |
| 额定电压 / 电流 /Rated voltage/Current            | 25A/380V  |
| 阻燃等级 /Flammability Rating                   | UL-94V0   |



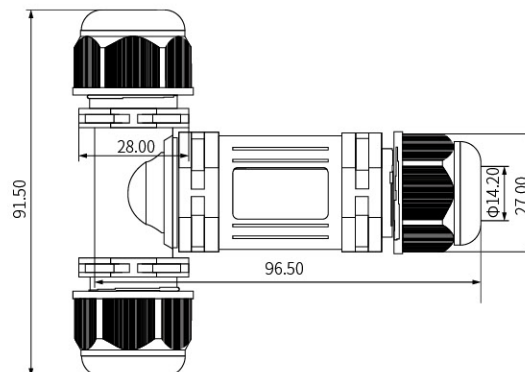
### 规格参数表 /Specification table

| 规格<br>specification | 芯数<br>Number of cores | 锁紧范围<br>Locking range | 数量 / 包<br>Quantity/package | 产品编号<br>Product number |
|---------------------|-----------------------|-----------------------|----------------------------|------------------------|
| M25                 | 2 芯                   | 5-8                   | 5                          | HX-KC.M25T-F/M2-8      |
|                     |                       | 9-12                  | 5                          | HX-KC.M25T-F/M2-12     |
|                     |                       | 10-14                 | 5                          | HX-KC.M25T-F/M2-14     |
|                     | 3 芯                   | 5-8                   | 5                          | HX-KC.M25T-F/M3-8      |
|                     |                       | 9-12                  | 5                          | HX-KC.M25T-F/M3-12     |
|                     |                       | 10-14                 | 5                          | HX-KC.M25T-F/M3-14     |
|                     | 4 芯                   | 5-8                   | 5                          | HX-KC.M25T-F/M4-8      |
|                     |                       | 9-12                  | 5                          | HX-KC.M25T-F/M4-12     |
|                     |                       | 10-14                 | 5                          | HX-KC.M25T-F/M4-14     |
|                     | 5 芯                   | 5-8                   | 5                          | HX-KC.M25T-F/M5-8      |
|                     |                       | 9-12                  | 5                          | HX-KC.M25T-F/M5-12     |
|                     |                       | 10-14                 | 5                          | HX-KC.M25T-F/M5-14     |

### 使用图示 /Use the diagram



### 尺寸图 /Dimensional drawing



# Y型防水快插连接器

Y-type waterproof quick plug connector

HX-YX.M25

|   |  |
|---|--|
| 防护等级 /Ingress protection                    | IP68   |
| 耐温性 /Temperature resistance                 | -40°C ~105°C   |
| 存贮温度 /Storage temperature                   | 常温 /Room Temperature                                       |
| 主体材质 /Body Material                         | PA66 尼龙 (阻燃) /PA66 Nylon (Flame Retardant)                 |
| O 型圈材质 /O-ring material                     | 硅胶 (环保材质) /Silicone<br>(Environmentally Friendly Material) |
| 适用电缆范围 /Applicable cable range              | Φ5-8 Φ9-12 Φ10-14  |
| 接线方式 /Wiring                                | 螺丝压接 /Screw Crimping                                       |
| 导体材质 /Conductor material                    | 59-1 黄铜镀镍 /59-1 Brass Nickel Plated                        |
| 适用线平方数 /The number of lines squared applies | 0.5~4mm <sup>2</sup>                                       |
| 测试电压 /Test Voltage                          | 1500V  |
| 额定电压 / 电流 /Rated voltage/Current            | 32A/450V   |
| 阻燃等级 /Flammability Rating                   | UL-94V0  |



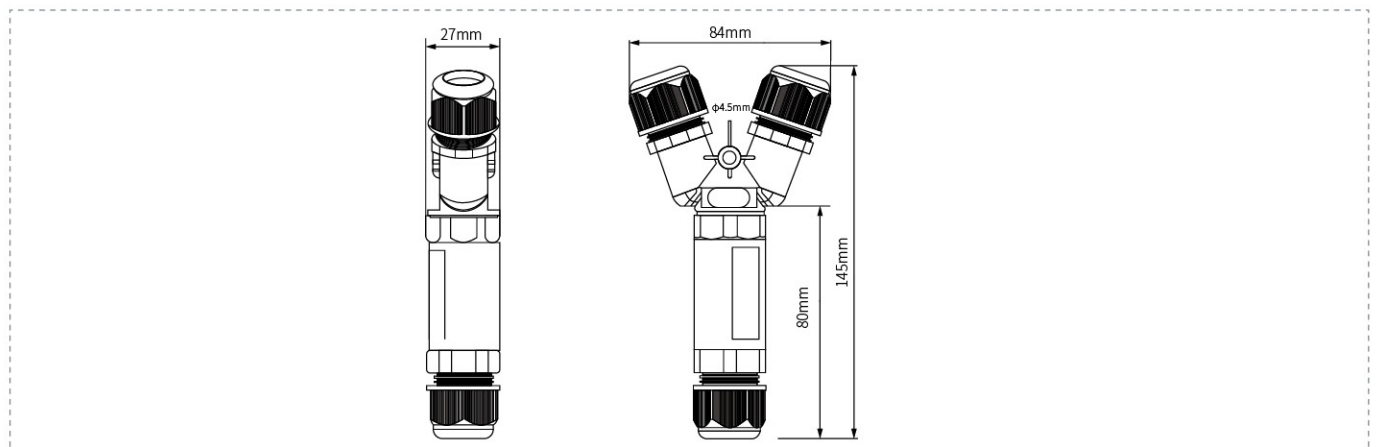
## 规格参数表 /Specification table

| 规格<br>specification | 芯数<br>Number of cores | 锁紧范围<br>Locking range | 数量 / 包<br>Quantity/package | 产品编号<br>Product number |
|---------------------|-----------------------|-----------------------|----------------------------|------------------------|
| M25                 | 2 芯                   | 5-8                   | 5                          | HX-YX.M25/M2-8         |
|                     |                       | 9-12                  | 5                          | HX-YX.M25/M2-12        |
|                     |                       | 10-14                 | 5                          | HX-YX.M25/M2-14        |
|                     | 3 芯                   | 5-8                   | 5                          | HX-YX.M25/M3-8         |
|                     |                       | 9-12                  | 5                          | HX-YX.M25/M3-12        |
|                     |                       | 10-14                 | 5                          | HX-YX.M25/M3-14        |
|                     | 4 芯                   | 5-8                   | 5                          | HX-YX.M25/M4-8         |
|                     |                       | 9-12                  | 5                          | HX-YX.M25/M4-12        |
|                     |                       | 10-14                 | 5                          | HX-YX.M25/M4-14        |
|                     | 5 芯                   | 5-8                   | 5                          | HX-YX.M25/M5-8         |
|                     |                       | 9-12                  | 5                          | HX-YX.M25/M5-12        |
|                     |                       | 10-14                 | 5                          | HX-YX.M25/M5-14        |

## 使用图示 /Use the diagram



## 尺寸图 /Dimensional drawing





HX-FSH.H1-2T

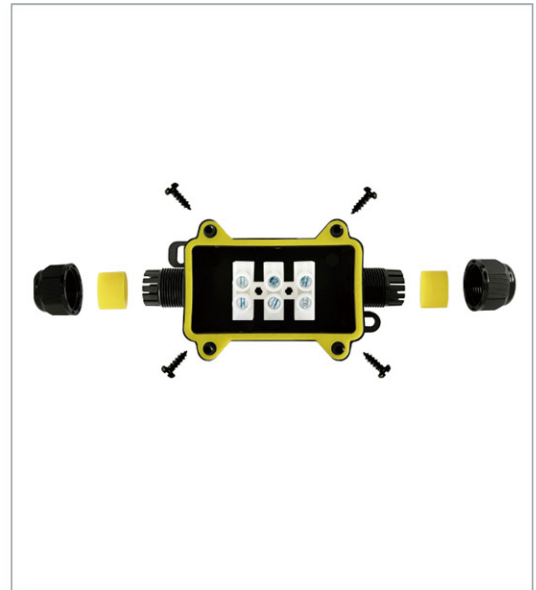
|   |   |
|---|---|
| 防护等级 /Ingress protection                    | IP68  |
| 耐温性 /Temperature resistance                 | -40°C ~105°C  |
| 存储温度 /Storage temperature                   | 常温 /Room Temperature  |
| 主体材质 /Body Material                         | PA66 尼龙 (阻燃) /PA66 Nylon (Flame Retardant)                                    |
| O 型圈材质 /O-ring material                     | 硅胶 (环保材质) /Silicone<br>(Environmentally Friendly Material)                    |
| 适用电缆范围 /Applicable cable range              | Φ3-6.5 Φ4-8 Φ7-10(3种胶塞可供选择 /<br>There are 3 types of stoppers to choose from) |
| 接线方式 /Wiring                                | 螺丝压接 /Screw Crimping  |
| 导体材质 /Conductor material                    | 59-1 黄铜镀镍 /59-1 Brass Nickel Plated   |
| 适用线平方数 /The number of lines squared applies | 0.5~2.5mm <sup>2</sup>  |
| 测试电压 /Test Voltage                          | 1500V   |
| 额定电压 / 电流 /Rated voltage/Current            | 24A/450V  |
| 阻燃等级 /Flammability Rating                   | UL-94V0   |



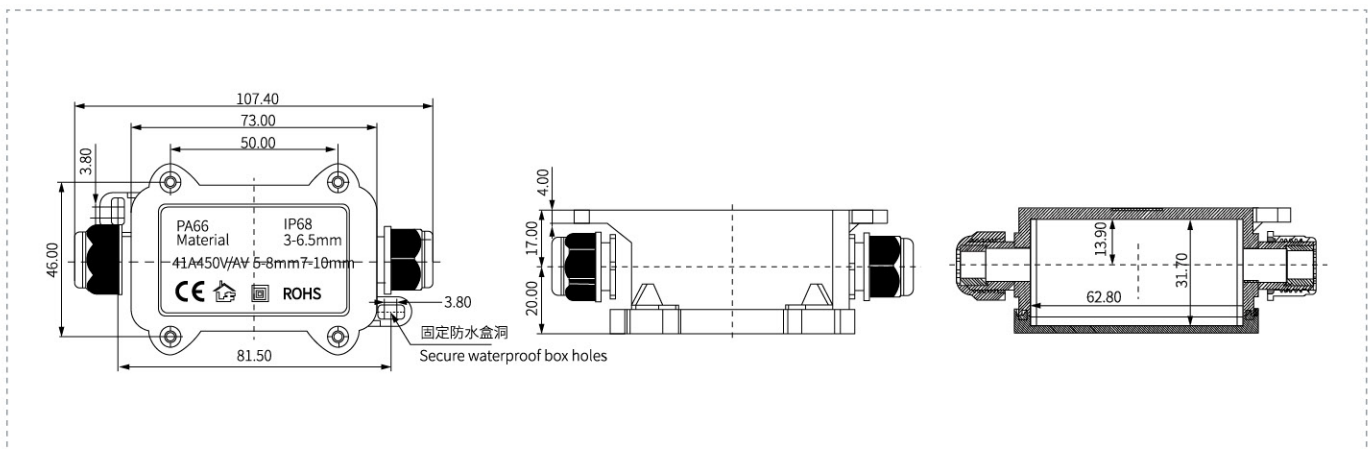
规格参数表 /Specification table

| 规格<br>specification | 穿孔数<br>Number of cores | 锁紧范围<br>Locking range | 数量 / 包<br>Quantity/package | 产品编号<br>Product number |
|---------------------|------------------------|-----------------------|----------------------------|------------------------|
| H1                  | 2通                     | 3-6.5                 | 1                          | HX-FSH.H1-2T-6.5       |
|                     |                        | 5-8                   | 1                          | HX-FSH.H1-2T-8         |
|                     |                        | 7-10                  | 1                          | HX-FSH.H1-2T-10        |

使用图示 /Use the diagram



尺寸图 /Dimensional drawing



防水快插连接器系列 /Waterproof quick plug connector series

HX-FSH.H1-3T

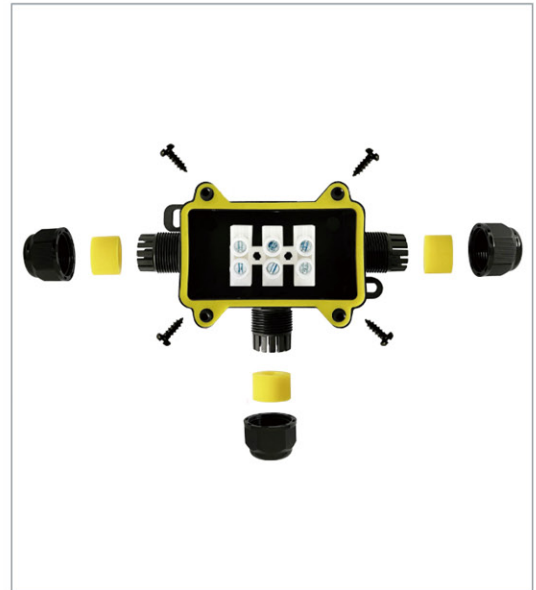
|   |   |
|---|---|
| 防护等级 /Ingress protection                    | IP68  |
| 耐温性 /Temperature resistance                 | -40°C ~105°C  |
| 存贮温度 /Storage temperature                   | 常温 /Room Temperature  |
| 主体材质 /Body Material                         | PA66 尼龙 (阻燃)/PA66 Nylon (Flame Retardant)                                     |
| O 型圈材质 /O-ring material                     | 硅胶 (环保材质)/Silicone<br>(Environmentally Friendly Material)                     |
| 适用电缆范围 /Applicable cable range              | Φ3-6.5 Φ5-8 Φ7-10(3种胶塞可供选择 /<br>There are 3 types of stoppers to choose from) |
| 接线方式 /Wiring                                | 螺丝压接 /Screw Crimping  |
| 导体材质 /Conductor material                    | 59-1 黄铜镀镍 /59-1 Brass Nickel Plated   |
| 适用线平方数 /The number of lines squared applies | 0.5~2.5mm <sup>2</sup>  |
| 测试电压 /Test Voltage                          | 1500V   |
| 额定电压 / 电流 /Rated voltage/Current            | 450V/24A  |
| 阻燃等级 /Flammability Rating                   | UL-94V0   |



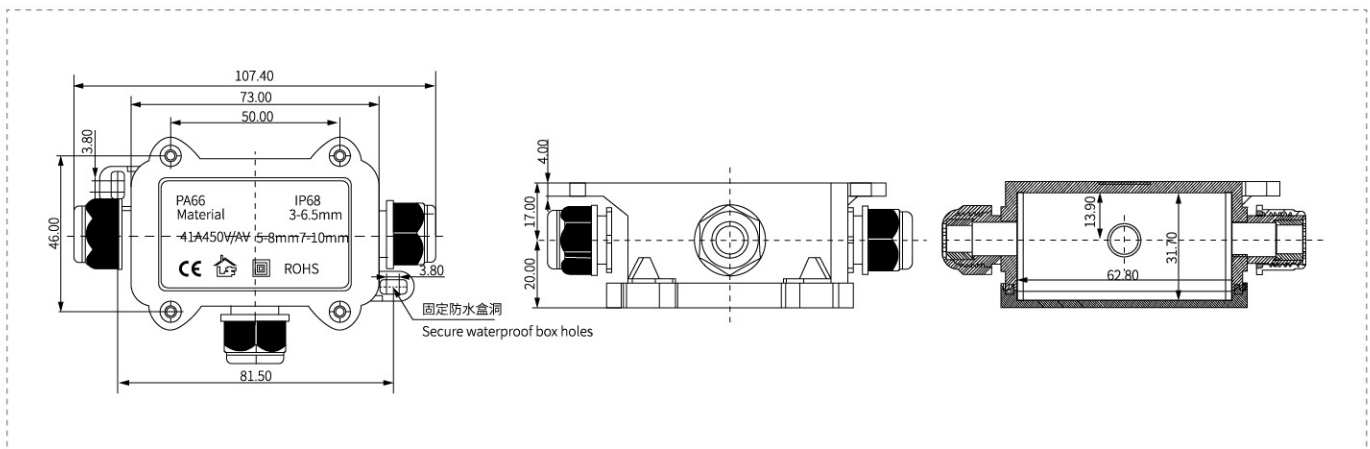
规格参数表 /Specification table

| 规格<br>specification | 通孔数<br>Number of cores | 锁紧范围<br>Locking range | 数量 / 包<br>Quantity/package | 产品编号<br>Product number |
|---------------------|------------------------|-----------------------|----------------------------|------------------------|
| H1                  | 3 通                    | 3-6.5                 | 1                          | HX-FSH.H1-3T-6.5       |
|                     |                        | 5-8                   | 1                          | HX-FSH.H1-3T-6.5       |
|                     |                        | 7-10                  | 1                          | HX-FSH.H1-3T-10        |

使用图示 /Use the diagram



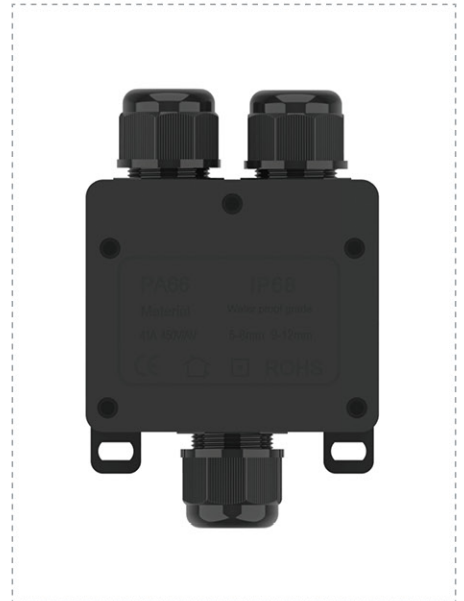
尺寸图 /Dimensional drawing



防水快插连接器系列 / Waterproof quick plug connector series

HX-FSH.H2-3T

|   |  |
|---|--|
| 防护等级 /Ingress protection                    | IP68   |
| 耐温性 /Temperature resistance                 | -40°C ~105°C   |
| 存储温度 /Storage temperature                   | 常温 /Room Temperature   |
| 主体材质 /Body Material                         | PA66 尼龙 (阻燃) /PA66 Nylon (Flame Retardant)                               |
| O 型圈材质 /O-ring material                     | 硅胶 (环保材质) /Silicone<br>(Environmentally Friendly Material)               |
| 适用电缆范围 /Applicable cable range              | Φ5-8 Φ9-12 (2 种胶塞可供选择 /<br>There are 2 types of stoppers to choose from) |
| 接线方式 /Wiring                                | 螺丝压接 /Screw Crimping   |
| 导体材质 /Conductor material                    | 59-1 黄铜镀镍 /59-1 Brass Nickel Plated                                      |
| 适用线平方数 /The number of lines squared applies | 0.5~2.5mm <sup>2</sup>   |
| 测试电压 /Test Voltage                          | 1500V  |
| 额定电压 / 电流 /Rated voltage/Current            | 24A/450V   |
| 阻燃等级 /Flammability Rating                   | UL-94V0  |



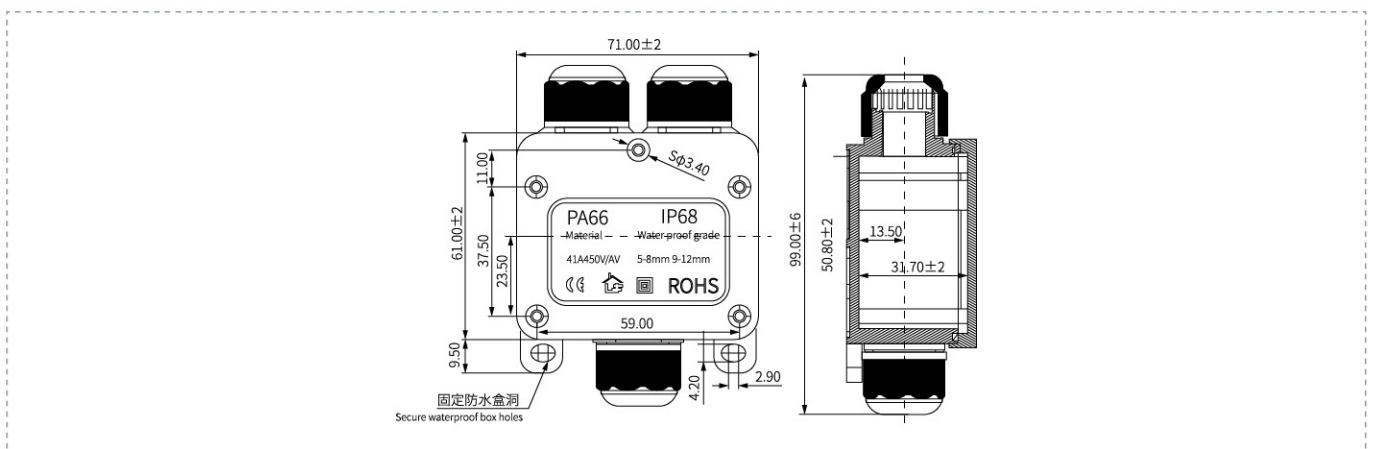
规格参数表 /Specification table

| 规格<br>specification | 通孔数<br>Number of cores | 锁紧范围<br>Locking range | 数量 / 包<br>Quantity/package | 产品编号<br>Product number |
|---------------------|------------------------|-----------------------|----------------------------|------------------------|
| H2                  | 3 通                    | 5-8                   | 1                          | HX-FSH.H2-3T-8         |
|                     |                        | 9-12                  | 1                          | HX-FSH.H2-3T-12        |

使用图示 /Use the diagram



尺寸图 /Dimensional drawing



HX-FSH.H1-4T

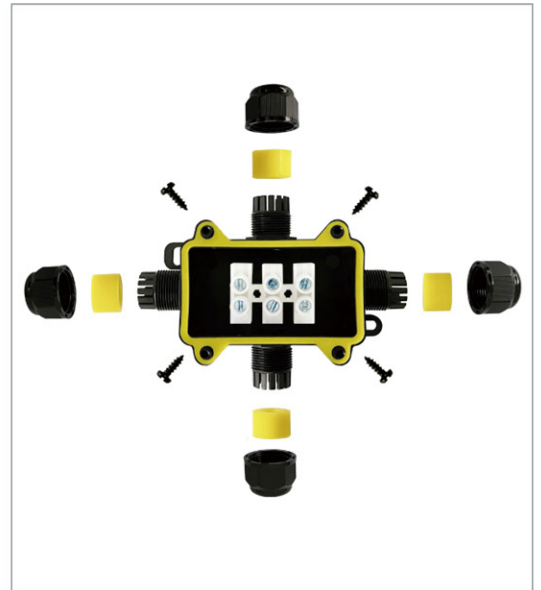
|   |   |
|---|---|
| 防护等级 /Ingress protection                    | IP68  |
| 耐温性 /Temperature resistance                 | -40°C ~105°C  |
| 存贮温度 /Storage temperature                   | 常温 /Room Temperature  |
| 主体材质 /Body Material                         | PA66 尼龙 (阻燃) /PA66 Nylon (Flame Retardant)                                    |
| O 型圈材质 /O-ring material                     | 硅胶 (环保材质) /Silicone<br>(Environmentally Friendly Material)                    |
| 适用电缆范围 /Applicable cable range              | Φ3-6.5 Φ4-8 Φ7-10(3种胶塞可供选择 /<br>There are 3 types of stoppers to choose from) |
| 接线方式 /Wiring                                | 螺丝压接 /Screw Crimping  |
| 导体材质 /Conductor material                    | 59-1 黄铜镀镍 /59-1 Brass Nickel Plated   |
| 适用线平方数 /The number of lines squared applies | 0.5~2.5mm <sup>2</sup>  |
| 测试电压 /Test Voltage                          | 1500V   |
| 额定电压 / 电流 /Rated voltage/Current            | 450V/24A  |
| 阻燃等级 /Flammability Rating                   | UL-94V0   |



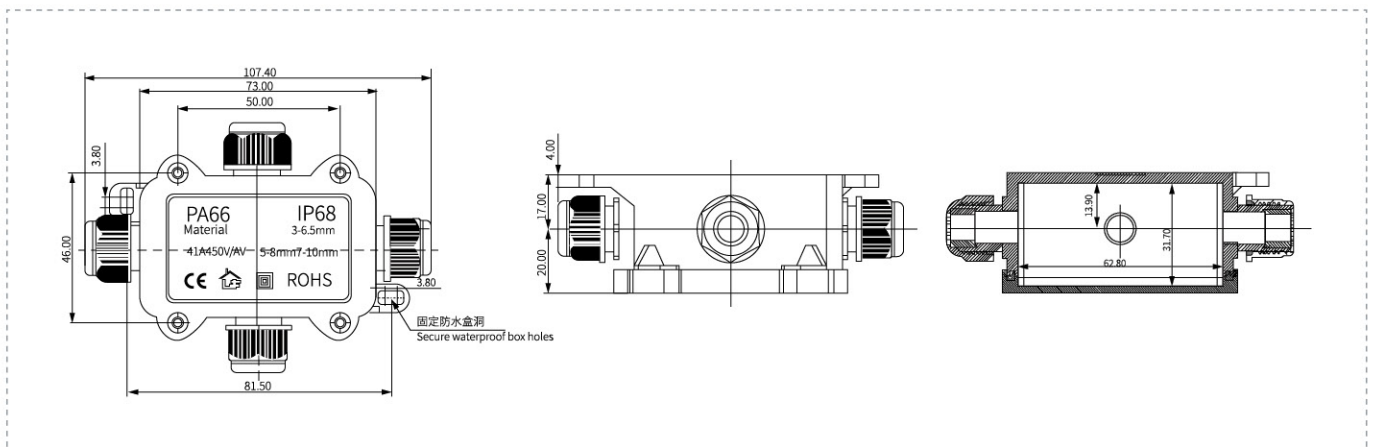
规格参数表 /Specification table

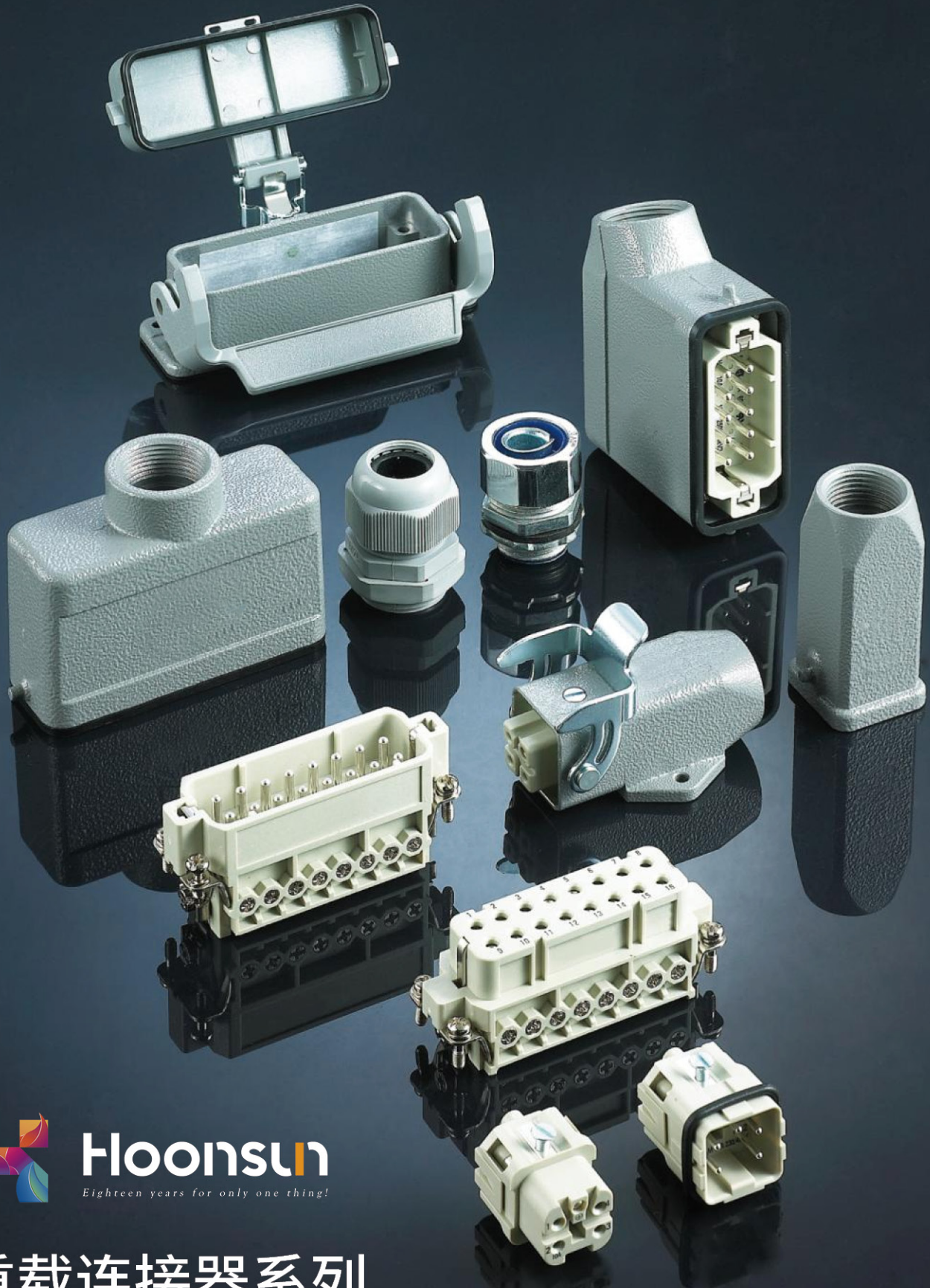
| 规格<br>specification | 穿孔数<br>Number of cores | 锁紧范围<br>Locking range | 数量 / 包<br>Quantity/package | 产品编号<br>Product number |
|---------------------|------------------------|-----------------------|----------------------------|------------------------|
| H1                  | 4通                     | 3-6.5                 | 1                          | HX-FSH.H1-4T-6.5       |
|                     |                        | 5-8                   | 1                          | HX-FSH.H1-4T-8         |
|                     |                        | 7-10                  | 1                          | HX-FSH.H1-4T-10        |

使用图示 /Use the diagram



尺寸图 /Dimensional drawing





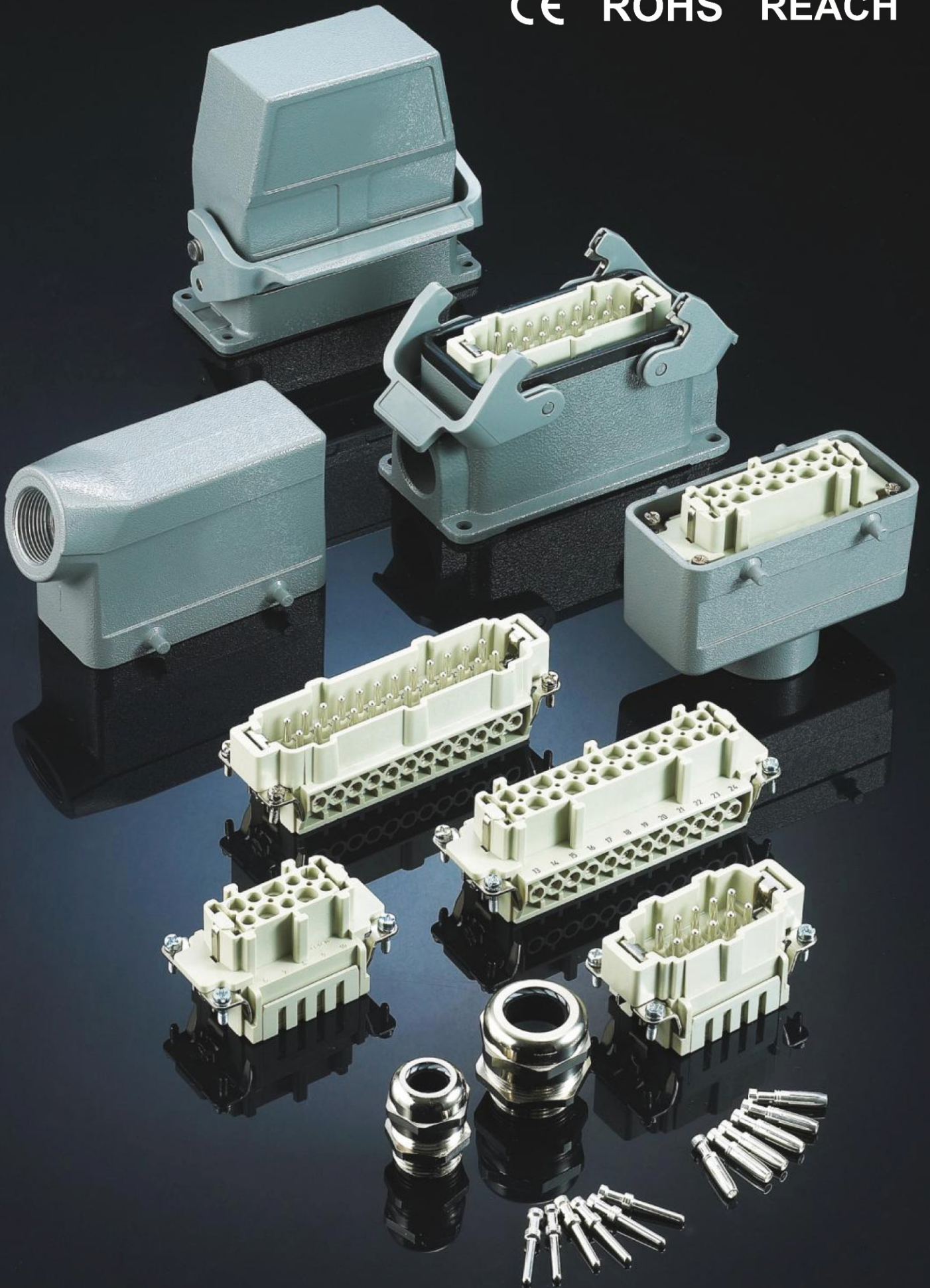
**Hoonsun**

*Eighteen years for only one thing!*

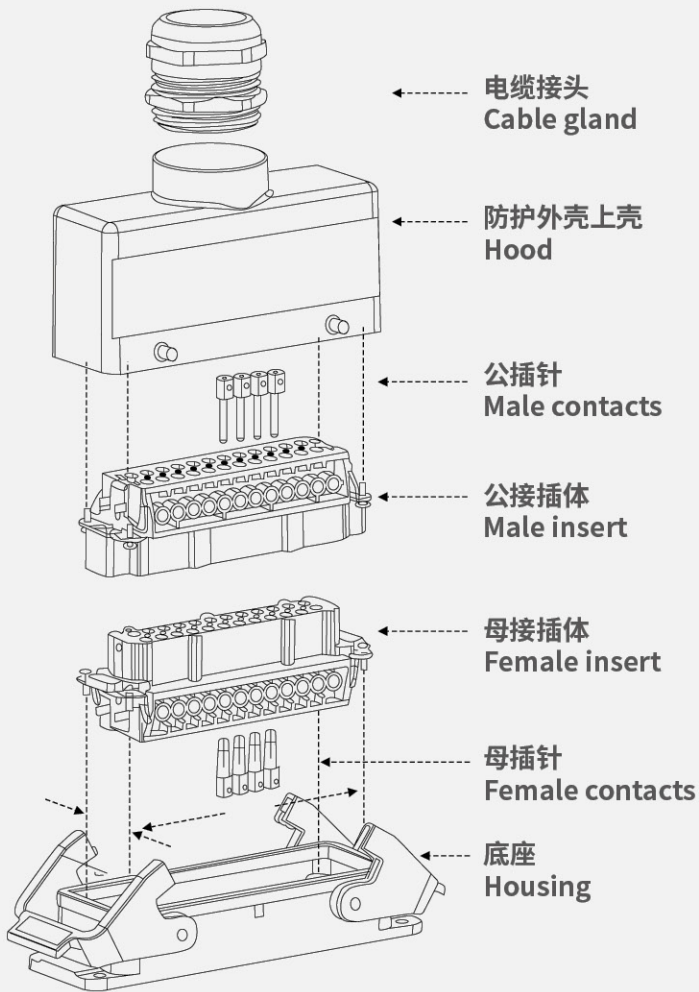
# 重载连接器系列

Heavy Duty Connector Series

CE ROHS REACH



接插件安装示意图 Assembly details



**电缆接头 Cable glands**

金属或塑料电缆接头 Metal or plastic cable glands  
金属或塑料软管接头 Metal or plastic hose glands  
其它电缆接头 Other cable glands

**防护外壳上壳 Hoods**

标准或高结构 Low or high construction  
顶部出线或侧面出线 Top or side cable entry  
单扣或双扣 1 or 2 locking levers

**公、母接插体 Male, female insert**

螺丝连接 Screw terminal  
冷压连接 Crimp terminal  
弹片连接 Cage-clamp terminal

**公、母插针 Male, female contacts**

适用于冷压连接的插体 Only for crimp terminal  
镀金或镀银 Gold or silver plated

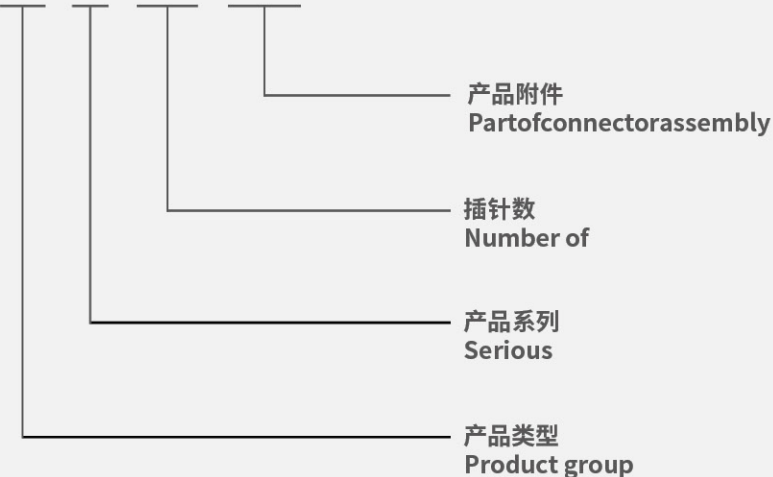
**底座 Housing**

开孔安装, 表面安装或电缆对接  
Bulkhead mounting, surface mounting, cable to cable  
标准或高结构 Low or high construction  
单扣或双扣 1 or 2 levels  
带塑料盖或带金属盖或不带盖 Housing with or without covers

订货号说明 / Part number explanation

i.e: 09330242601

09 3 024 2601



部分产品一览表 Part of the products

CE ROHS REACH

| 上壳 Hoods |  | 插体 Inserts |  | HA Series<br>Screw terminal<br>Crimp terminal |  | HE Series<br>Screw terminal<br>Spring terminal<br>Crimp terminal |  | *HEE Series<br>Crimp terminal |  | *HD Series<br>Crimp terminal |  | *HDD Series<br>Crimp terminal |  | HSB Series<br>Screw terminal |  | HK Series<br>Screw terminal |  | 下壳 Housings |  |  |
|----------|--|------------|--|---|--|--|--|-------------------------------|--|------------------------------|--|-------------------------------|--|------------------------------|--|-----------------------------|--|-------------|--|--|
| 3A       |  |            |  |   |  |  |  |                               |  |                              |  |                               |  |                              |  |                             |  |             |  |  |
| 10A      |  |            |  |   |  |  |  |                               |  |                              |  |                               |  |                              |  |                             |  |             |  |  |
| 16A      |  |            |  |   |  |  |  |                               |  |                              |  |                               |  |                              |  |                             |  |             |  |  |
| 32A      |  |            | 用于安装任两个适用于16A外壳插体 Suitable for 2 inserts of size 16A |   |  |  |  |                               |  |                              |  |                               |  |                              |  |                             |  |             |  |  |
| 6B       |  |            |  |   |  |  |  |                               |  |                              |  |                               |  |                              |  |                             |  |             |  |  |
| 10B      |  |            |  |   |  |  |  |                               |  |                              |  |                               |  |                              |  |                             |  |             |  |  |
| 16B      |  |            |  |   |  |  |  |                               |  |                              |  |                               |  |                              |  |                             |  |             |  |  |
| 24B      |  |            |  |   |  |  |  |                               |  |                              |  |                               |  |                              |  |                             |  |             |  |  |
| 32B      |  |            |  |   |  |  |  |                               |  |                              |  |                               |  |                              |  |                             |  |             |  |  |
| 48B      | 用于安装任两个适用于16B外壳插体 Suitable for 2 inserts of size 16B |            |  |   |  |  |  |                               |  |                              |  |                               |  |                              |  |                             |  |             |  |  |

Modified contact loading arrangement permits use up to 500V,690V 1000V at insulation group C.



技术参数 Technical Characteristics

|              |                                       |  |
|--------------|---------------------------------------|--|
| 规范           | Specifications                        | DIN EN 60 664                                    |
| 规范           | Specifications                        | DIN EN 61 984                                    |
| 插芯           | Inserts                               |  |
| 接插件针数        | Number Of Contacts                    | 3,4,10,16,32(2X16)+PE                            |
| HA-003/004   |                                       |  |
| 额定电流         | Rated Current                         | 10A  |
| 相对地额定电压      | Rated Voltage Conductor-ground        | 230V   |
| 相间额定电压       | Rated Voltage Conductor-conductor     | 400V   |
| 额定脉冲电压       | Rated Impulse Voltage                 | 4kV  |
| 污染程度         | Pollution Degree                      | 3  |
| 或            | Or                                    | 10A 250V 4kV 3                                   |
| HA-010/016   |                                       |  |
| 额定电流         | Rated Current                         | 16A  |
| 额定电压         | Rated Voltage                         | 250V   |
| 额定脉冲电压       | Rated Impulse Voltage                 | 4kV  |
| 污染程度         | Pollution Degree                      | 3  |
| 污染等级2时的参数    | Pollution Degree 2 Also               | 16A 230/400V 4kV 2                               |
| 依据UL/CSA额定电压 | Rated Voltage Acc.to UL Csa           | 600V   |
| 绝缘电阻         | Insulation Resistance                 | $\geq 10^{10} \Omega$                            |
| 材料           | Material                              | 聚碳酸酯 Polycarbonate                               |
| 工作温度范围       | Limiting Temperatures                 | -40°C...+125°C                                   |
| 阻燃等级         | Flammability Acc. To UI94             | V0   |
| 可拔插次数        | Mechanical Working Life-mating Cycles | $\geq 500$                                       |
| 插针           | Contacts                              |  |
| 材料           | Material                              | 铜合金 Copper Alloy                                 |
| 表面处理         | Surface                               | 镀金 Hard-gold Plated<br>镀银 Hard-silver Plated     |
| 接触电阻         | Contact Resistance                    | $\leq 1m\Omega$                                  |
| 螺钉连接         | Screw Terminal                        |  |
| 导线规格         | Wire Gauge                            | 1.0-2.5mm <sup>2</sup>                           |
| AWG          | Awg                                   | 18-14  |
| 拧紧力矩         | Tightening Torque                     | 0.25Nm ( HA-003/004 ) or<br>0.5Nm ( HA-010/016 ) |
| 冷压连接         | Crimp Terminal                        |  |
| -导线规格        | Wire Gauge                            | 0.14-4.0mm <sup>2</sup>                          |
| -AWG         | Awg                                   | 26-12  |
| 弹片连接         | Cage-clamp                            |  |
| 导线规格         | Wire Gauge                            | 0.14-2.5mm <sup>2</sup>                          |
| AWG          | Awg                                   | 26-14  |

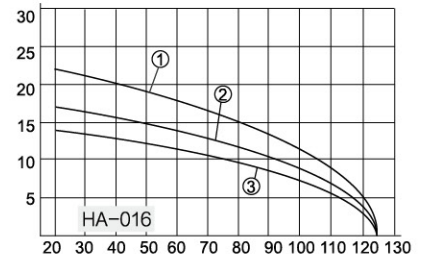
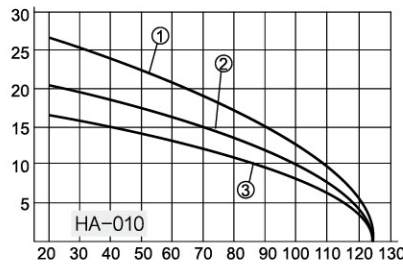
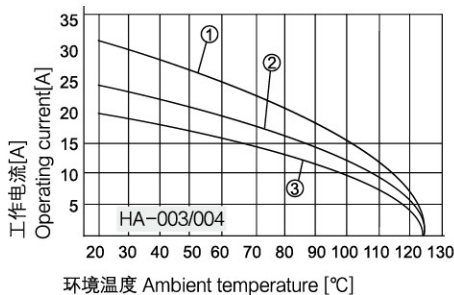
电流负载能力 Current Carrying Capacity

电流负载能力所受的限制主要来自包含接插针的接插体可承受的最大温度

The current carrying is limited by maximum temperature of materials for Inserts and contacts including terminals.

测试和控制过程依据 Measuring and testing techniques according to DIN EN 60512-5

①线径 Wire gauge: 2.5mm<sup>2</sup>    ②线径 Wire gauge: 1.5mm<sup>2</sup>    ③线径 Wire gauge: 1.0mm<sup>2</sup>



小型插芯 The Slim Inserts

CE ROHS REACH

HA-003/004 系列 -230/400V 10A 3/4+

外壳尺寸: 匹配 3A 外壳  
Hoods/Housings: Matching 3A Hood Housing

螺丝连接 Screw terminal

| 插芯 Inserts | 型号 Type  |
|------------|----------|
| 公 Male     | HA-003-M |
| 母 Female   | HA-003-F |

|          |          |
|----------|----------|
| 公 Male   | HA-004-M |
| 母 Female | HA-004-F |

弹片连接 Cage-clamp

| 插芯 Inserts | 型号 Type   |
|------------|-----------|
| 公 Male     | HA-003-MS |
| 母 Female   | HA-003-FS |

|          |           |
|----------|-----------|
| 公 Male   | HA-004-MS |
| 母 Female | HA-004-FS |

HA-010 系列 -230/400V 16A 10+

外壳尺寸: 匹配 10A 外壳  
Hoods/Housings: Matching 10A Hood Housing

螺丝连接 Screw terminal

| 插芯 Inserts | 型号 Type  |
|------------|----------|
| 公 Male     | HA-010-M |
| 母 Female   | HA-010-F |

冷压连接 Crimp terminal

| 插芯 Inserts | 型号 Type   |
|------------|-----------|
| 公 Male     | HA-010-MC |
| 母 Female   | HA-010-FC |

HA-016 系列 -250V 16A 16+

外壳尺寸: 匹配 16A 外壳  
Hoods/Housings: Matching 16A Hood Housing

螺丝连接 Screw terminal

| 插芯 Inserts | 型号 Type  |
|------------|----------|
| 公 Male     | HA-016-M |
| 母 Female   | HA-016-F |

冷压连接 Crimp terminal

| 插芯 Inserts | 型号 Type   |
|------------|-----------|
| 公 Male     | HA-016-MC |
| 母 Female   | HA-016-FC |

HA-032 系列 -250V 16A 32+

外壳尺寸: 匹配 32A 外壳  
Hoods/Housings: Matching 32A Hood Housing

螺丝连接 Screw terminal

| 插芯 Inserts | 型号 Type         |
|------------|-----------------|
| 公 Male     | HA-016-M(1-16)  |
|            | HA-016-M(17-32) |
| 母 Female   | HA-016-F(1-16)  |
|            | HA-016-F(17-32) |

冷压连接 Crimp terminal

| 插芯 Inserts | 型号 Type          |
|------------|------------------|
| 公 Male     | HA-016-MC(1-16)  |
|            | HA-016-MC(17-32) |
| 母 Female   | HA-016-FC(1-16)  |
|            | HA-016-FC(17-32) |

技术参数 Technical Characteristics

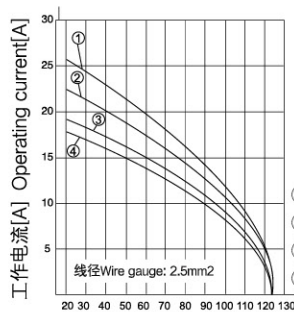
|                   |                                       |  |
|-------------------|---------------------------------------|--|
| 规范                | Specifications                        |  |
| 规范                | Specifications                        | DIN EN 60 664<br>DIN EN 61 984               |
| 插芯                | Inserts                               |  |
| 依据 EN 61 984的额定电压 | Electrical data acc. to EN 61 984     |  |
| 接插件针数             | Number Of Contacts                    | 6,10,16,24,32(2X16),48(2X24)+PE              |
| -额定电流             | Rated Current                         | 16A  |
| -额定电压             | Rated Voltage                         | 500V   |
| -额定脉冲电压           | Rated Impulse Voltage                 | 6kV  |
| -污染程度             | Pollution Degree                      | 3  |
| -污染等级2时的参数        | Pollution Degree 2 Also               | 16A 400/690V 6kV 2                           |
| 依据UL/CSA额定电压      | Rated Voltage Acc. To UI CSA          | 600V   |
| 绝缘电阻              | Insulation Resistance                 | ≥1010Ω                                       |
| 材料                | Material                              | 聚碳酸酯 Polycarbonate                           |
| 工作温度范围            | Limiting Temperatures                 | -40°C...+125°C                               |
| 依据UL94阻燃等级        | Flammability Acc. To UL94             | V0   |
| 可拔插次数             | Mechanical Working Life-mating Cycles | ≥500   |
| 插针                | Contacts                              |  |
| 材料                | Material                              | 铜合金 Copper Alloy                             |
| 表面处理              | Surface                               | 镀金 Hard-gold Plated<br>镀银 Hard-silver Plated |
| 接触电阻              | Contact Resistance                    | ≤1mΩ   |
| 螺钉连接              | Screw Terminal                        |  |
| -导线规格             | -Wire Gauge                           | 0.14-2.5mm <sup>2</sup>                      |
| -AWG              | -AWG                                  | 26-14  |
| -拧紧力矩             | -Tightening Torque                    | 0.5Nm  |
| -剥线长度             | -Stripping length                     | 7.0mm  |
| 冷压连接              | Crimp Terminal                        |  |
| -导线规格             | Wire Gauge                            | 0.14-4.0mm <sup>2</sup>                      |
| -AWG              | -AWG                                  | 26-12  |
| -剥线长度             | -Stripping length                     | 7.5mm  |
| 弹片连接              | Cage-clamp                            |  |
| -导线规格             | Wire Gauge                            | 0.14-2.5mm <sup>2</sup>                      |
| -AWG              | -AWG                                  | 26-14  |
| -剥线长度             | -Stripping length                     | 7-9mm  |

电流负载能力 Current Carrying Capacity

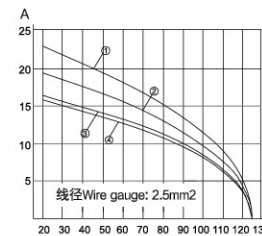
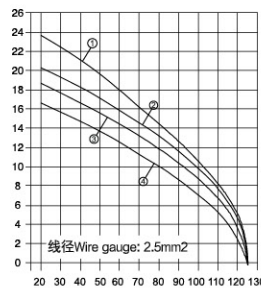
电流负载能力所受的限制主要来自包含接插针的接插体可承受的最大温度

The current carrying is limited by maximum temperature of materials for inserts and contacts including terminals.

测试和控制过程依据 Measuring and testing techniques according to DIN EN 60512-5



环境温度 Ambient temperature [°C]



小型插芯 The Slim Inserts

CE ROHS REACH

HE-006 常规型插芯系列 -500V 16A 6+

外壳尺寸: 匹配 6B 外壳  
Hoods/Housings: Matching 6B Hood Housing

螺丝连接 Screw terminal

| 插芯 Inserts | 型号 Type  |
|------------|----------|
| 公 Male     | HA-006-M |
| 母 Female   | HA-006-F |



冷压连接 Crimp terminal

| 插芯 Inserts | 型号 Type   |
|------------|-----------|
| 公 Male     | HA-006-MC |
| 母 Female   | HA-006-FC |



弹片连接 Cage-clamp

| 插芯 Inserts | 型号 Type   |
|------------|-----------|
| 公 Male     | HA-006-MS |
| 母 Female   | HA-006-FS |



NEW

直插式弹片连接 Quicklockterminal

|          |           |
|----------|-----------|
| 公 Male   | HA-006-MZ |
| 母 Female | HA-006-FZ |



双弹片连接 (一针双接线) Cage-clamp terminal (two terminal per contact)

|          |            |
|----------|------------|
| 公 Male   | HA-006-MSS |
| 母 Female | HA-006-FSS |



HE-010 常规型插芯系列 -500V 16A 10+

外壳尺寸: 匹配 10B 外壳  
Hoods/Housings: Matching 10B Hood Housing

螺丝连接 Screw terminal

| 插芯 Inserts | 型号 Type  |
|------------|----------|
| 公 Male     | HA-010-M |
| 母 Female   | HA-010-F |



冷压连接 Crimp terminal

| 插芯 Inserts | 型号 Type   |
|------------|-----------|
| 公 Male     | HA-010-MC |
| 母 Female   | HA-010-FC |



弹片连接 Cage-clamp

| 插芯 Inserts | 型号 Type   |
|------------|-----------|
| 公 Male     | HA-010-MS |
| 母 Female   | HA-010-FS |



NEW

直插式弹片连接 Quicklockterminal

|          |           |
|----------|-----------|
| 公 Male   | HA-010-MZ |
| 母 Female | HA-010-FZ |



双弹片连接 (一针双接线) Cage-clamp terminal (two terminal per contact)

|          |            |
|----------|------------|
| 公 Male   | HA-010-MSS |
| 母 Female | HA-010-FSS |



小型插芯 The Slim Inserts


CE ROHS REACH

HE-016 常规型插芯系列 -500V 16A 16+

外壳尺寸: 匹配 16B 外壳  
Hoods/Housings: Matching 16B Hood Housing


螺丝连接 Screw terminal

| 插芯 Inserts | 型号 Type  |
|------------|----------|
| 公 Male     | HA-016-M |
| 母 Female   | HA-016-F |



冷压连接 Crimp terminal

| 插芯 Inserts | 型号 Type   |
|------------|-----------|
| 公 Male     | HA-016-MC |
| 母 Female   | HA-016-FC |



弹片连接 Cage-clamp

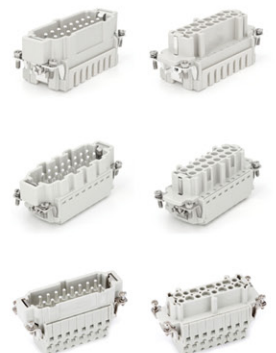
| 插芯 Inserts | 型号 Type   |
|------------|-----------|
| 公 Male     | HA-016-MS |
| 母 Female   | HA-016-FS |

直插式弹片连接 Quicklockterminal

|          |           |
|----------|-----------|
| 公 Male   | HA-016-MZ |
| 母 Female | HA-016-FZ |

双弹片连接 (一针双接线) Cage-clamp terminal (two terminal per contact)

|          |            |
|----------|------------|
| 公 Male   | HA-016-MSS |
| 母 Female | HA-016-FSS |




HE-024 常规型插芯系列 -500V 16A 24+

外壳尺寸: 匹配 24B 外壳  
Hoods/Housings: Matching 24B Hood Housing


螺丝连接 Screw terminal

| 插芯 Inserts | 型号 Type  |
|------------|----------|
| 公 Male     | HA-024-M |
| 母 Female   | HA-024-F |



冷压连接 Crimp terminal

| 插芯 Inserts | 型号 Type   |
|------------|-----------|
| 公 Male     | HA-024-MC |
| 母 Female   | HA-024-FC |



弹片连接 Cage-clamp

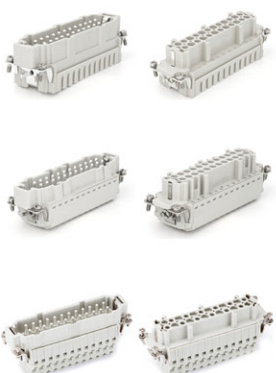
| 插芯 Inserts | 型号 Type   |
|------------|-----------|
| 公 Male     | HA-024-MS |
| 母 Female   | HA-024-FS |

直插式弹片连接 Quicklockterminal

|          |           |
|----------|-----------|
| 公 Male   | HA-024-MZ |
| 母 Female | HA-024-FZ |

双弹片连接 (一针双接线) Cage-clamp terminal (two terminal per contact)

|          |            |
|----------|------------|
| 公 Male   | HA-024-MSS |
| 母 Female | HA-024-FSS |



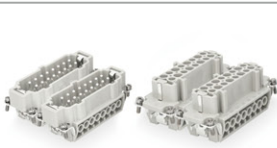
小型插芯 The Slim Inserts

CE ROHS REACH

HE-032 常规型插芯系列 -500V 16A 32+

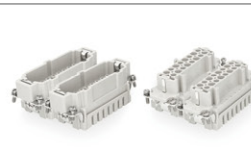
外壳尺寸: 匹配 32B 外壳  
Hoods/Housings: Matching 32B Hood Housing

螺丝连接 Screw terminal



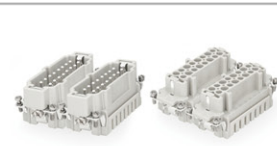
| 插芯 Inserts | 型号 Type                           |
|------------|-----------------------------------|
| 公 Male     | HE-016-M(1-16)<br>HE-016-M(17-32) |
| 母 Female   | HE-016-F(1-16)<br>HE-016-F(17-32) |

冷压连接 Crimp terminal



| 插芯 Inserts | 型号 Type                             |
|------------|-------------------------------------|
| 公 Male     | HE-016-MC(1-16)<br>HE-016-MC(17-32) |
| 母 Female   | HE-016-FC(1-16)<br>HE-016-FC(17-32) |

弹片连接 Cage-clamp



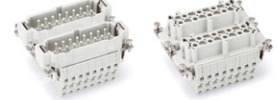
| 插芯 Inserts | 型号 Type                             |
|------------|-------------------------------------|
| 公 Male     | HE-016-MS(1-16)<br>HE-016-MS(17-32) |
| 母 Female   | HE-016-FS(1-16)<br>HE-016-FS(17-32) |

直插式弹片连接 Quicklockterminal



| 插芯 Inserts | 型号 Type                             |
|------------|-------------------------------------|
| 公 Male     | HE-016-MZ(1-16)<br>HE-016-MZ(17-32) |
| 母 Female   | HE-016-FZ(1-16)<br>HE-016-FZ(17-32) |

双弹片连接 (一针双接线) Cage-clamp terminal (two terminal per contact)



| 插芯 Inserts | 型号 Type                               |
|------------|---------------------------------------|
| 公 Male     | HE-016-MSS(1-16)<br>HE-016-MSS(17-32) |
| 母 Female   | HE-016-FSS(1-16)<br>HE-016-FSS(17-32) |

HE-048 常规型插芯系列 -500V 16A 48+

外壳尺寸: 匹配 48B 外壳  
Hoods/Housings: Matching 48B Hood Housing

螺丝连接 Screw terminal



| 插芯 Inserts | 型号 Type                           |
|------------|-----------------------------------|
| 公 Male     | HE-024-M(1-24)<br>HE-024-M(25-48) |
| 母 Female   | HE-024-F(1-24)<br>HE-024-F(25-48) |

冷压连接 Crimp terminal



| 插芯 Inserts | 型号 Type                             |
|------------|-------------------------------------|
| 公 Male     | HE-024-MC(1-24)<br>HE-024-MC(25-48) |
| 母 Female   | HE-024-FC(1-24)<br>HE-024-FC(25-48) |

弹片连接 Cage-clamp



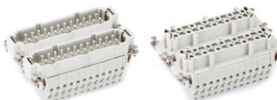
| 插芯 Inserts | 型号 Type                             |
|------------|-------------------------------------|
| 公 Male     | HE-024-MS(1-24)<br>HE-024-MS(25-48) |
| 母 Female   | HE-024-FS(1-24)<br>HE-024-FS(25-48) |

直插式弹片连接 Quicklockterminal



| 插芯 Inserts | 型号 Type                             |
|------------|-------------------------------------|
| 公 Male     | HE-024-MZ(1-24)<br>HE-024-MZ(25-48) |
| 母 Female   | HE-024-FZ(1-24)<br>HE-024-FZ(25-48) |

双弹片连接 (一针双接线) Cage-clamp terminal (two terminal per contact)



| 插芯 Inserts | 型号 Type                               |
|------------|---------------------------------------|
| 公 Male     | HE-024-MSS(1-24)<br>HE-024-MSS(25-48) |
| 母 Female   | HE-024-FSS(1-24)<br>HE-024-FSS(25-48) |

技术参数 Technical Characteristics

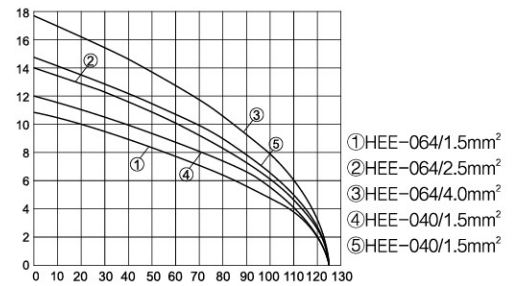
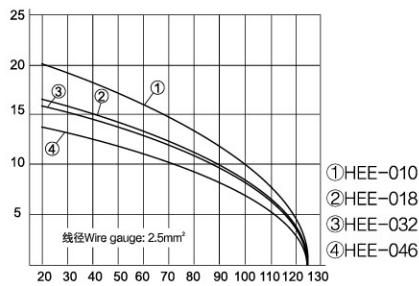
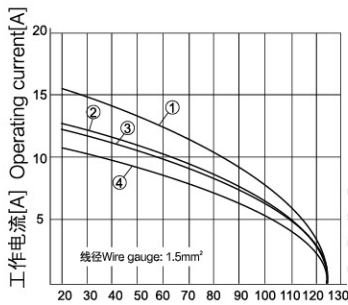
|                   |   |  |
|-------------------|---|--|
| 规范                | Specifications                          |  |
| 规范                | Specifications                          | DIN EN 60 664<br>DIN EN 61 984               |
| 插芯                | Inserts                                 |  |
| 依据 EN 61 984的额定电压 | Electrical data acc. to EN 61 984       |  |
| 接插件针数             | Number Of Contacts                      | 10,18,32,46,40,64(2X32),92(2X46)+PE          |
| 额定电流              | Rated Current                           | 16A  |
| 额定电压              | Rated Voltage                           | 500V   |
| 额定脉冲电压            | Rated Impulse Voltage                   | 6kV  |
| 污染程度              | Pollution Degree                        | 3  |
| 污染等级2时的参数         | Pollution Degree 2 Also                 | 16A 830V 8kV 2                               |
| 依据UL/CSA额定电压      | Rated Voltage Acc.to UI CSA             | 600V   |
| 绝缘电阻              | Insulation Resistance                   | ≥ 10 <sup>10</sup> Ω                         |
| 材料                | Material                                | 聚碳酸酯 Polycarbonate                           |
| 工作温度范围            | Limiting Temperatures                   | -40°C...+125°C                               |
| 依据UL94阻燃等级        | Flammability Acc. To UL94               | V0   |
| 可拔插次数             | MechHEenical Working Life-mating Cycles | ≥ 500  |
| 插针                | Contacts                                |  |
| 材料                | Material                                | 铜合金 Copper Alloy                             |
| 表面处理              | Surface                                 | 镀金 Hard-gold Plated<br>镀银 Hard-silver Plated |
| 接触电阻              | Contact Resistance                      | ≤ 1mΩ  |
| 冷压连接              | Crimp Terminal                          |  |
| 导线规格              | Wire Gauge                              | 0.14-4.0mm <sup>2</sup>                      |
| AWG               | Awg                                     | 26-12  |
| 剥线长度              | Stripping length                        | 7.5mm  |

电流负载能力 Current Carrying Capacity

电流负载能力所受的限制主要来自包含接插针的接插体可承受的最大温度

THEE current carrying is limited by maximum temperature of materials for Inserts and contacts including terminals.

测试和控制过程依据 Measuring and testing techniques according to DIN EN 60512-5



小型插芯 The Slim Inserts

CE ROHS REACH

HEE-010 高密度型插芯系列 -500V 16A 10+

冷压连接 Crimp terminal

外壳尺寸: 匹配 6B 外壳  
Hoods/Housings: Matching 6B Hood Housing



| 插芯 Inserts | 型号 Type    |
|------------|------------|
| 公 Male     | HEE-010-MC |
| 母 Female   | HEE-010-FC |

HEE-018 高密度型插芯系列 -500V 16A 18+

冷压连接 Crimp terminal

外壳尺寸: 匹配 10B 外壳  
Hoods/Housings: Matching 10B Hood Housing



| 插芯 Inserts | 型号 Type    |
|------------|------------|
| 公 Male     | HEE-018-MC |
| 母 Female   | HEE-018-FC |

HEE-032 高密度型插芯系列 -500V 16A 32+

冷压连接 Crimp terminal

外壳尺寸: 匹配 16B 外壳  
Hoods/Housings: Matching 16B Hood Housing



| 插芯 Inserts | 型号 Type    |
|------------|------------|
| 公 Male     | HEE-032-MC |
| 母 Female   | HEE-032-FC |

HEE-046 高密度型插芯系列 -500V 16A 46+

冷压连接 Crimp terminal

外壳尺寸: 匹配 24B 外壳  
Hoods/Housings: Matching 24B Hood Housing



| 插芯 Inserts | 型号 Type    |
|------------|------------|
| 公 Male     | HEE-046-MC |
| 母 Female   | HEE-046-FC |

HEE-064 高密度型插芯系列 -500V 16A 64+

冷压连接 Crimp terminal

外壳尺寸: 匹配 32B 外壳  
Hoods/Housings: Matching 32B Hood Housing



| 插芯 Inserts | 型号 Type           |
|------------|-------------------|
| 公 Male     | HEE-032-MC(1-32)  |
|            | HEE-032-MC(33-64) |
| 母 Female   | HEE-032-FC(1-32)  |
|            | HEE-032-FC(33-64) |

HEE-092 高密度型插芯系列 -500V 16A 92+

冷压连接 Crimp terminal

外壳尺寸: 匹配 48B 外壳  
Hoods/Housings: Matching 48B Hood Housing



| 插芯 Inserts | 型号 Type           |
|------------|-------------------|
| 公 Male     | HEE-046-MC(1-46)  |
|            | HEE-046-MC(47-92) |
| 母 Female   | HEE-046-FC(1-46)  |
|            | HEE-046-FC(47-92) |

HEEE-040 高密度型插芯系列 -500V 16A 40+

冷压连接 Crimp terminal

外壳尺寸: 匹配 16B 外壳  
Hoods/Housings: Matching 16B Hood Housing



| 插芯 Inserts | 型号 Type     |
|------------|-------------|
| 公 Male     | HEEE-040-MC |
| 母 Female   | HEEE-040-FC |

HEEE-064 高密度型插芯系列 -500V 16A 64+

冷压连接 Crimp terminal

外壳尺寸: 匹配 24B 外壳  
Hoods/Housings: Matching 24B Hood Housing



| 插芯 Inserts | 型号 Type     |
|------------|-------------|
| 公 Male     | HEEE-064-MC |
| 母 Female   | HEEE-064-FC |



技术参数 Technical Characteristics

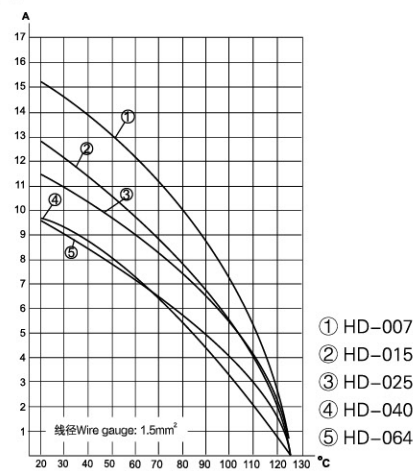
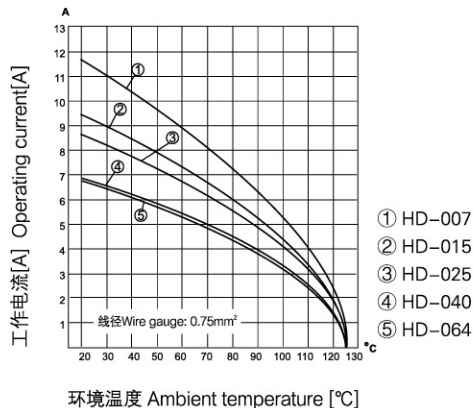
|                   |   |   |
|-------------------|---|---|
| 规范                | Specifications                              |   |
| 规范                | Specifications                              | DIN EN 60 664<br>DIN EN 61 984                  |
| 插芯                | Inserts                                     |   |
| 依据 EN 61 984的额定电压 | Electrical data acc. to EN 61 984           |   |
| 接插件针数             | Number Of Contacts                          | 7,8,15,25,40,50(25X2),,64,80(40X2),128(64x2)+PE |
| 额定电流              | Rated Current                               | 10A   |
| 额定电压              | Rated Voltage                               | 250V  |
| 额定脉冲电压            | Rated Impulse Voltage                       | 4kV   |
| 污染程度              | Pollution Degree                            | 3   |
| 污染等级2时的参数         | Pollution Degree 2 Also                     | 10A 230/400V 4kV 2                              |
| 依据UL/CSA额定电压      | Rated Voltage Acc.to UI CSA                 | 600V  |
| 依据CSA绕线连接的额定电压    | Rated Voltage For Wrap Terminal Acc. To CSA | 2A 30V  |
| HD-008的电气数据       |   |   |
| 额定电流              | Rated Current                               | 10A   |
| 额定电压              | Rated Voltage                               | ~50V~120V                                       |
| 额定脉冲电压            | Rated Impulse Voltage                       | 4kV   |
| 污染程度              | Pollution Degree                            | 3   |
| 依据UL/CSA额定电压      | Rated Voltage Acc.to UI CSA                 | 50V   |
| 额定电压 ( 直流电压 )     | Rated Voltage                               | 120V  |
| 绝缘电阻              | Insulation Resistance                       | $\geq 10^{10} \Omega$                           |
| 材料                | Material                                    | 聚碳酸酯 Polycarbonate                              |
| 工作温度范围            | Limiting Temperatures                       | -40°C...+125°C                                  |
| 依据UL94阻燃等级        | Flammability Acc. To UL94                   | V0  |
| 可拔插次数             | Mechanical Working Life-mating Cycles       | $\geq 500$                                      |
| 插针                | Contacts                                    |   |
| 材料                | Material                                    | 铜合金 Copper Alloy                                |
| 表面处理              | Surface                                     | 镀金 Hard-gold Plated<br>镀银 Hard-silver Plated    |
| 接触电阻              | Contact Resistance                          | $\leq 3m\Omega$                                 |
| 冷压连接              | Screw Terminal                              |   |
| 导线规格              | Wire Gauge                                  | 0.14~2.5mm <sup>2</sup>                         |
| AWG               | AWG   | 26~14   |

电流负载能力 Current Carrying Capacity

电流负载能力所受的限制主要来自包含接插针的接插体可承受的最大温度

The current carrying is limited by maximum temperature of materials for Inserts and contacts including terminals.

测试和控制过程依据 Measuring and testing techniques according to DIN EN 60512-5



## 小型插芯 The Slim Inserts

CE ROHS REACH

### HD-007 超高密度型插芯系列 250V 10A 7+

外壳尺寸: 匹配 10A 外壳  
Hoods/Housings: Matching 10A Hood Housing

冷压连接 Crimp terminal



| 插芯 Inserts | 型号 Type   |
|------------|-----------|
| 公 Male     | HD-007-MC |
| 母 Female   | HD-007-FC |

快速上锁 Quick lock



| 插芯 Inserts | 型号 Type   |
|------------|-----------|
| 公 Male     | HD-007-MQ |
| 母 Female   | HD-007-FQ |

### HD-008 超高密度型插芯系列 -120V/~50V 10A 8+

外壳尺寸: 匹配 3A 外壳  
Hoods/Housings: Matching 3A Hood Housing

冷压连接 Crimp terminal



| 插芯 Inserts | 型号 Type   |
|------------|-----------|
| 公 Male     | HD-008-MC |
| 母 Female   | HD-008-FC |

快速上锁 Quick lock

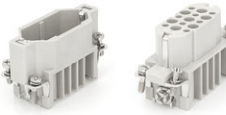


| 插芯 Inserts | 型号 Type   |
|------------|-----------|
| 公 Male     | HD-008-MQ |
| 母 Female   | HD-008-FQ |

### HD-015 超高密度型插芯系列 -250V 10A 15+

冷压连接 Crimp terminal

外壳尺寸: 匹配 10A 外壳  
Hoods/Housings: Matching 10A Hood Housing



| 插芯 Inserts | 型号 Type   |
|------------|-----------|
| 公 Male     | HD-015-MC |
| 母 Female   | HD-015-FC |

### HD-025 超高密度型插芯系列 -250V 10A 25+

冷压连接 Crimp terminal

外壳尺寸: 匹配 16A 外壳  
Hoods/Housings: Matching 16A Hood Housing



| 插芯 Inserts | 型号 Type   |
|------------|-----------|
| 公 Male     | HD-025-MC |
| 母 Female   | HD-025-FC |

### HD-040 超高密度型插芯系列 -250V 10A 40+

冷压连接 Crimp terminal

外壳尺寸: 匹配 16B 外壳  
Hoods/Housings: Matching 16B Hood Housing



| 插芯 Inserts | 型号 Type   |
|------------|-----------|
| 公 Male     | HD-040-MC |
| 母 Female   | HD-040-FC |

### HD-050 超高密度型插芯系列 -250V 10A 50+

冷压连接 Crimp terminal

外壳尺寸: 匹配 32A 外壳  
Hoods/Housings: Matching 32A Hood Housing



| 插芯 Inserts | 型号 Type         |
|------------|-----------------|
| 公 Male     | HD-040-MC(1-25) |
|            | HD-040-MC(1-40) |
| 母 Female   | HD-040-FC(1-25) |
|            | HD-040-FC(1-40) |

### HD-064 超高密度型插芯系列 -250V 10A 64+

冷压连接 Crimp terminal

外壳尺寸: 匹配 24B 外壳  
Hoods/Housings: Matching 24B Hood Housing



| 插芯 Inserts | 型号 Type   |
|------------|-----------|
| 公 Male     | HD-064-MC |
| 母 Female   | HD-064-FC |

### HD-080 超高密度型插芯系列 -250V 10A 80+

冷压连接 Crimp terminal

外壳尺寸: 匹配 32B 外壳  
Hoods/Housings: Matching 32B Hood Housing



| 插芯 Inserts | 型号 Type         |
|------------|-----------------|
| 公 Male     | HD-040-MC(1-40) |
|            | HD-040-MC(1-40) |
| 母 Female   | HD-040-FC(1-40) |
|            | HD-040-FC(1-40) |

### HD-128 超高密度型插芯系列 -250V 10A 128+

冷压连接 Crimp terminal

外壳尺寸: 匹配 48B 外壳  
Hoods/Housings: Matching 48B Hood Housing



| 插芯 Inserts | 型号 Type         |
|------------|-----------------|
| 公 Male     | HD-064-MC(1-64) |
|            | HD-064-MC(1-64) |
| 母 Female   | HD-064-FC(1-64) |
|            | HD-064-FC(1-64) |

技术参数 Technical Characteristics

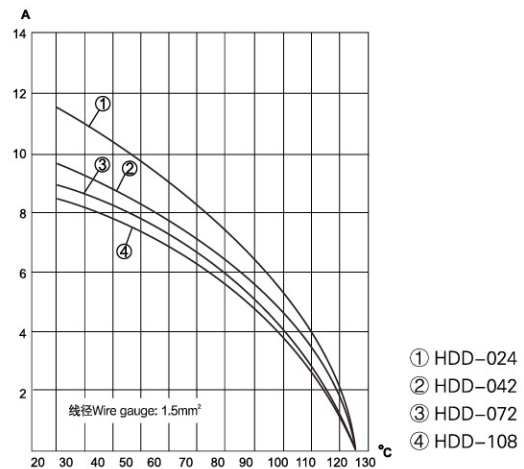
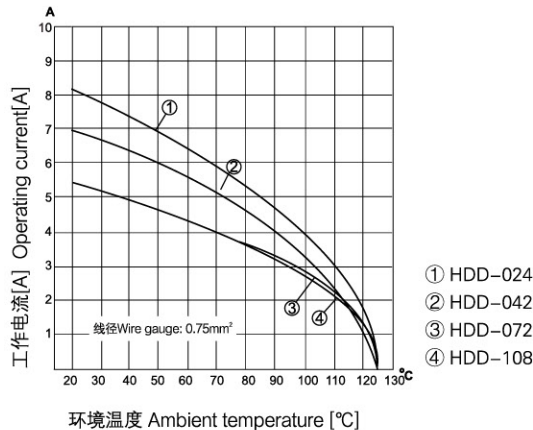
| 规范                | Specifications                        |  |
|-------------------|---------------------------------------|--|
| 规范                | Specifications                        | DIN EN 60 664                                |
|                   |                                       | DIN EN 61 984                                |
| 插芯                | Inserts                               |  |
| 依据 EN 61 984的额定电压 | Electrical Data Acc. To EN 61 984     |  |
| 接插件针数             | Number Of Contacts                    | 24,42,72,108,144(72X2),216(108X2)+PE         |
| 额定电流              | Rated Current                         | 10A  |
| 额定电压              | Rated Voltage                         | 250V   |
| 额定脉冲电压            | Rated Impulse Voltage                 | 4kV  |
| 污染程度              | Pollution Degree                      | 3  |
| 污染等级2时的参数         | Pollution Degree 2 Also               | 10A 230/400V 4kV 2                           |
| 依据UL/CSA额定电压      | Rated Voltage Acc.to UI CSA           | 600V   |
| 绝缘电阻              | Insulation Resistance                 | $\geq 10^{10} \Omega$                        |
| 材料                | Material                              | 聚碳酸酯 Polycarbonate                           |
| 工作温度范围            | Limiting Temperatures                 | -40°C...+125°C                               |
| 依据UL94阻燃等级        | Flammability Acc. To UL94             | V0   |
| 可拔插次数             | Mechanical Working Life-mating Cycles | $\geq 500$                                   |
| 插针                | Contacts                              |  |
| 材料                | Material                              | 铜合金 Copper Alloy                             |
| 表面处理              | Surface                               | 镀金 Hard-gold Plated<br>镀银 Hard-silver Plated |
| 接触电阻              | Contact Resistance                    | $\leq 3m\Omega$                              |
| 螺钉连接              | Screw Terminal                        |  |
| 导线规格              | Wire Gauge                            | 0.14-2.5mm <sup>2</sup>                      |
| AWG               | AWG                                   | 26-14  |

电流负载能力 Current Carrying Capacity

电流负载能力所受的限制主要来自包含接插针的接插体可承受的最大温度

The current carrying is limited by maximum temperature of materials for Inserts and contacts including terminals.

测试和控制过程依据 Measuring and testing techniques according to DIN EN 60512-5



小型插芯 The Slim Inserts

CE ROHS REACH

HDD-024 超高密度型插芯系列 -250V 10A 24+

冷压连接 Crimp terminal

外壳尺寸: 匹配 6B 外壳  
Hoods/Housings: Matching 6B Hood Housing



| 插芯 Inserts | 型号 Type    |
|------------|------------|
| 公 Male     | HDD-024-MC |
| 母 Female   | HDD-024-FC |

HDD-042 超高密度型插芯系列 -250V 10A 42+

冷压连接 Crimp terminal

外壳尺寸: 匹配 10B 外壳  
Hoods/Housings: Matching 10B Hood Housing



| 插芯 Inserts | 型号 Type    |
|------------|------------|
| 公 Male     | HDD-042-MC |
| 母 Female   | HDD-042-FC |

HDD-072 超高密度型插芯系列 -250V 10A 72+

冷压连接 Crimp terminal

外壳尺寸: 匹配 16B 外壳  
Hoods/Housings: Matching 16B Hood Housing



| 插芯 Inserts | 型号 Type    |
|------------|------------|
| 公 Male     | HDD-072-MC |
| 母 Female   | HDD-072-FC |

HDD-108 超高密度型插芯系列 -250V 10A 108+

冷压连接 Crimp terminal

外壳尺寸: 匹配 24B 外壳  
Hoods/Housings: Matching 24B Hood Housing



| 插芯 Inserts | 型号 Type     |
|------------|-------------|
| 公 Male     | HDD-0108-MC |
| 母 Female   | HDD-0108-FC |

HDD-144 超高密度型插芯系列 -250V 10A 144+

冷压连接 Crimp terminal

外壳尺寸: 匹配 32B 外壳  
Hoods/Housings: Matching 32B Hood Housing



| 插芯 Inserts | 型号 Type            |
|------------|--------------------|
| 公 Male     | HDD-072-MC(1-72)   |
|            | HDD-072-MC(73-144) |
| 母 Female   | HDD-072-FC(1-72)   |
|            | HDD-072-FC(73-144) |

HDD-216 超高密度型插芯系列 -250V 10A 108+

冷压连接 Crimp terminal

外壳尺寸: 匹配 48B 外壳  
Hoods/Housings: Matching 48B Hood Housing



| 插芯 Inserts | 型号 Type             |
|------------|---------------------|
| 公 Male     | HDD-108-MC(1-108)   |
|            | HDD-108-FC(109-216) |
| 母 Female   | HDD-108-FC(1-108)   |
|            | HDD-108-FC(109-216) |

技术参数 Technical Characteristics

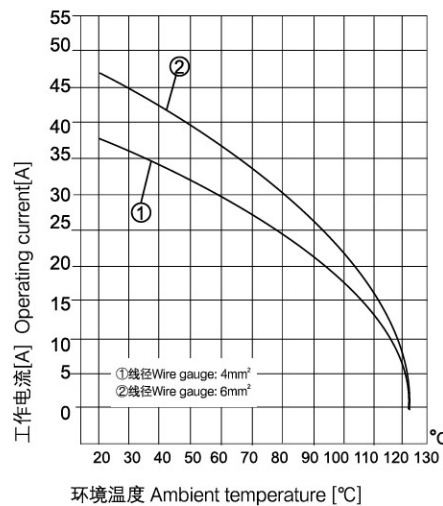
| 规范                | Specifications                        |                                |
|-------------------|---------------------------------------|--------------------------------|
| 规范                | Specifications                        | DIN EN 60 664<br>DIN EN 61 984 |
| 插芯                | Inserts                               |                                |
| 依据 EN 61 984的额定电压 | Electrical data acc. to EN 61 984     |                                |
| 接插件针数             | Number Of Contacts                    | 4,6,12+PE                      |
| 额定电流              | Rated Current                         | 35A                            |
| 相对地额定电压           | Rated Voltage                         | 400V                           |
| 相间额定电压            |                                       | 690V                           |
| 额定脉冲电压            | Rated Impulse Voltage                 | 6kV                            |
| 污染程度              | Pollution Degree                      | 3                              |
| 或                 | Or                                    | 35A 500V 6kV 3                 |
| 依据UL/CSA额定电压      | Rated Voltage Acc.to UI CSA           | 600V                           |
| 绝缘电阻              | Insulation Resistance                 | $\geq 10^{10} \Omega$          |
| 材料                | Material                              | 聚碳酸酯 Polycarbonate             |
| 工作温度范围            | Limiting Temperatures                 | -40°C...+125°C                 |
| 依据UL94阻燃等级        | Flammability Acc. To UL94             | V0                             |
| 可拔插次数             | Mechanical Working Life-mating Cycles | $\geq 500$                     |
| 插针                | Contacts                              |                                |
| 材料                | Material                              | 铜合金 Copper Alloy               |
| 表面处理              | Surface                               | 镀银 Hard-silver Plated          |
| 接触电阻              | Contact Resistance                    | $\leq 1m\Omega$                |
| 螺钉连接              | Screw Terminal                        |                                |
| 导线规格              | Wire Gauge                            | 1.5-6mm <sup>2</sup>           |
| AWG               | AWG                                   | 10                             |
| 拧紧力矩              | Tightening Torque                     | 1.2Nm                          |

电流负载能力 Current Carrying Capacity

电流负载能力所受的限制主要来自包含接插针的接插体可承受的最大温度

The current carrying is limited by maximum temperature of materials for Inserts and contacts including terminals.

测试和控制过程依据 Measuring and testing techniques according to DIN EN 60512-5



小型插芯 The Slim Inserts

CE ROHS REACH

HSBS-004 大电流型插芯系列 -400V/690V 35A 4+

螺丝连接 Screw terminal

外壳尺寸: 匹配 6B 外壳  
Hoods/Housings: Matching 6B Hood Housing

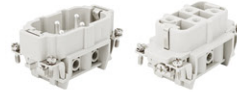


| 插芯 Inserts | 型号 Type    |
|------------|------------|
| 公 Male     | HSBS-004-M |
| 母 Female   | HSBS-004-F |

HSB-004 大电流型插芯系列 -400V/690V 35A 4+

螺丝连接 Screw terminal

外壳尺寸: 匹配 10B 外壳  
Hoods/Housings: Matching 10B Hood Housing



| 插芯 Inserts | 型号 Type   |
|------------|-----------|
| 公 Male     | HDD-004-M |
| 母 Female   | HDD-004-F |

HSB-006 大电流型插芯系列 -400V/690V 35A 6+

螺丝连接 Screw terminal

外壳尺寸: 匹配 16B 外壳  
Hoods/Housings: Matching 16B Hood Housing



| 插芯 Inserts | 型号 Type    |
|------------|------------|
| 公 Male     | HSBS-006-M |
| 母 Female   | HSBS-006-F |

HSB-012 大电流型插芯系列 -400V/690V 35A 12+

螺丝连接 Screw terminal

外壳尺寸: 匹配 32B 外壳  
Hoods/Housings: Matching 32B Hood Housing



| 插芯 Inserts | 型号 Type         |
|------------|-----------------|
| 公 Male     | HSB-006-M(1-6)  |
|            | HSB-006-F(7-12) |
| 母 Female   | HSB-006-F(1-6)  |
|            | HSB-006-F(7-12) |

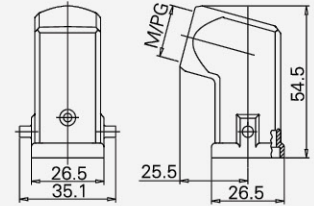
3A 塑料外壳 Plastic Hoods & Housings

防护等级 Degree of protection: IP65

上壳 侧出线 Hoods, side entry



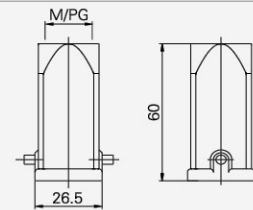
| 螺纹 Thread | 型号 Type          |
|-----------|------------------|
| M20       | H3A.P-TE-2B-M20  |
| PG11      | H3A.P-TE-2B-PG11 |



上壳 顶出线 Hoods, top entry



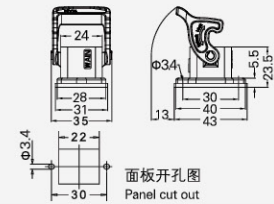
| 螺纹 Thread | 型号 Type          |
|-----------|------------------|
| M20       | H3A.P-TE-2B-M20  |
| PG11      | H3A.P-TE-2B-PG11 |



不封底下壳 Housings, bulkhead mounting



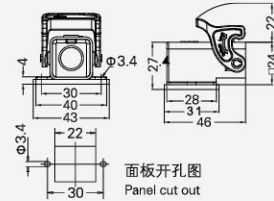
| 螺纹 Thread | 型号 Type     |
|-----------|-------------|
| ---       | H3A.P-BK-1L |



不封底下壳 Housings, bulkhead mounting



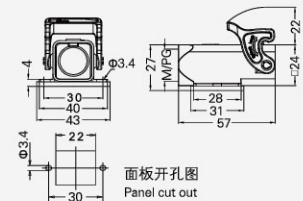
| 螺纹 Thread | 型号 Type        |
|-----------|----------------|
| ---       | H3A.P-BK-1L-SE |



封底下壳 Housings, surface mounting



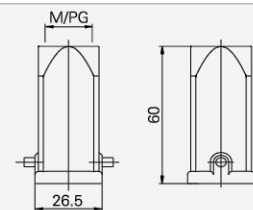
| 螺纹 Thread | 型号 Type          |
|-----------|------------------|
| M20       | H3A.P-SF-1L-M20  |
| PG11      | H3A.P-SF-1L-PG11 |



飞线下壳 Housings, cable to cable





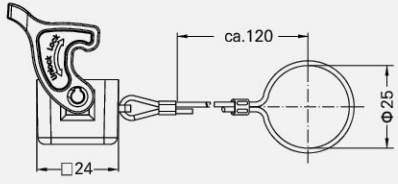
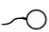
| 螺纹 Thread | 型号 Type          |
|-----------|------------------|
| M20       | H3A.P-CCT-1L-M20 |
| PG11      | H3A.P-TE-2B-PG11 |




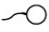
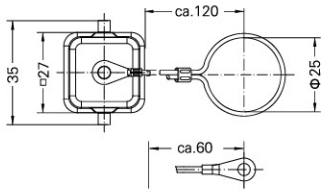



3A 塑料外壳 Plastic Hoods & Housings

防护等级 Degree of protection: IP65

防护盖 Protection covers

|   |   |  |   |
|---|---|--|---|
|  |  | 型号 Type<br>H3A-CV-1L/1M<br>(配公芯 for male insert) |  |
|   |  | H3A-CV-1L/1F<br>(配母芯 for male insert)            |   |

防护盖 Protection covers

|   |   |  |   |
|---|---|--|---|
|  |  | 型号 Type<br>H3A-CV-2B/1M<br>(配公芯 for male insert) |  |
|   |  | H3A-CV-2B/2M<br>(配公芯 for male insert)            |   |
|   |  | H3A-CV-2B/1F<br>(配母芯 for male insert)            |   |
|   |  | H3A-CV-2B/2F<br>(配母芯 for male insert)            |   |



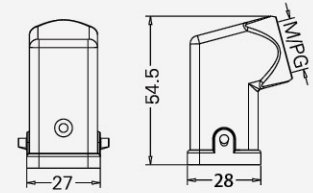
3A 金属外壳 Metal Hoods & Housings

防护等级 Degree of protection: IP65

上壳 侧出线 Hoods, side entry



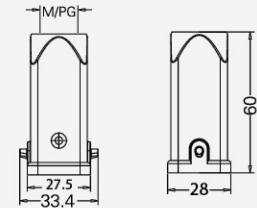
| 螺纹 Thread | 型号 Type        |
|-----------|----------------|
| M20       | H3A-SE-2B-M20  |
| PG11      | H3A-SE-2B-PG11 |



上壳 顶出线 Hoods, top entry



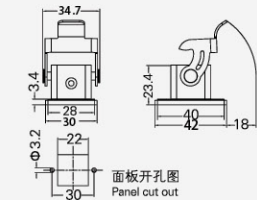
| 螺纹 Thread | 型号 Type          |
|-----------|------------------|
| M20       | H3A-TE-2B-M20    |
| PG11      | H3A-TE-2B-PG11   |
| PG13.5    | H3A-TE-2B-PG13.5 |



不封底下壳 Housings, bulkhead mounting



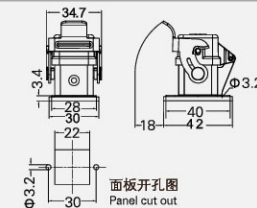
| 螺纹 Thread | 型号 Type   |
|-----------|-----------|
| ---       | H3A-BK-1L |



不封底下壳 Housings, bulkhead mounting



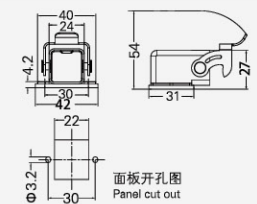
| 接线方式 Connect way | 型号 Type                                    |
|------------------|--|
| ---              | H3A-BK-1L-MCV/M<br>(配公芯 for male insert)   |
| ---              | H3A-BK-1L-MCV/F<br>(配母芯 for female insert) |



不封底下壳 Housings, bulkhead mounting



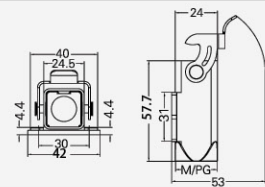
| 螺纹 Thread | 型号 Type      |
|-----------|--------------|
| ---       | H3A-BK-1L-SE |



封底下壳 Housings, surface mounting



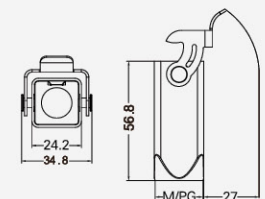
| 螺纹 Thread          | 型号 Type             |
|--------------------|---------------------|
| M20                | H3A-SF-1L-M20       |
| PG11               | H3A-SF-1L-PG11      |
| PG13.5             | H3A-SF-1L-PG13.5    |
| 底部封闭 Bottom closed |                     |
| M20                | H3A.BC-SF-1L-M20    |
| PG11               | H3A.BC-SF-1L-PG11   |
| PG13.5             | H3A.BC-SF-1L-PG13.5 |



飞线下壳 Housings, cable to cable



| 螺纹 Thread | 型号 Type           |
|-----------|-------------------|
| M20       | H3A-CCT-1L-M20    |
| PG11      | H3A-CCT-1L-PG11   |
| PG13.5    | H3A-CCT-1L-PG13.5 |



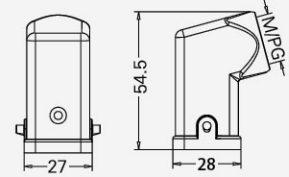
3A 金属外壳 (EMC) Metal Hoods & Housings

防护等级 Degree of protection: IP65

上壳 侧出线 Hoods, side entry



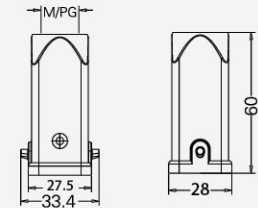
| 螺纹 Thread | 型号 Type            |
|-----------|--------------------|
| M20       | EMC.H3A-SE-2B-M20  |
| PG11      | EMC.H3A-SE-2B-PG11 |



上壳 顶出线 Hoods, top entry



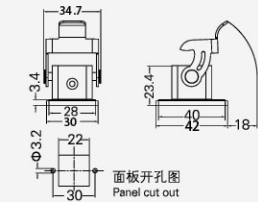
| 螺纹 Thread | 型号 Type            |
|-----------|--------------------|
| M20       | EMC.H3A-TE-2B-M20  |
| PG11      | EMC.H3A-TE-2B-PG11 |



不封底下壳 Housings, bulkhead mounting



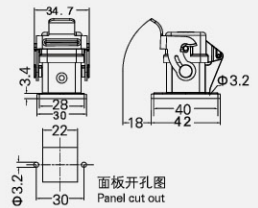
| 螺纹 Thread | 型号 Type       |
|-----------|---------------|
| ---       | EMC.H3A-BK-1L |



不封底下壳 Housings, bulkhead mounting



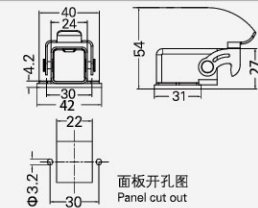
| 接线方式 Connect way | 型号 Type  |
|------------------|--|
| ---              | EMC.H3A-BK-1L-MCV/M<br>(配公芯 for male insert)   |
| ---              | EMC.H3A-BK-1L-MCV/F<br>(配母芯 for female insert) |



不封底下壳 Housings, bulkhead mounting



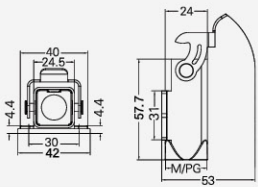
| 螺纹 Thread | 型号 Type          |
|-----------|------------------|
| ---       | EMC.H3A-BK-1L-SE |



封底下壳 Housings, surface mounting



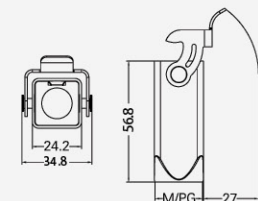
| 螺纹 Thread | 型号 Type            |
|-----------|--------------------|
| M20       | EMC.H3A-SF-1L-M20  |
| PG11      | EMC.H3A-SF-1L-PG11 |



飞线下壳 Housings, cable to cable





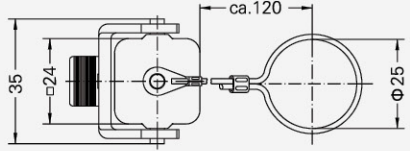
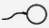
| 螺纹 Thread | 型号 Type             |
|-----------|---------------------|
| M20       | EMC.H3A-CCT-1L-M20  |
| PG11      | EMC.H3A-CCT-1L-PG11 |




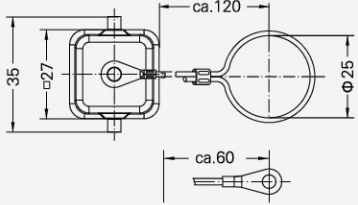


3A 金属外壳 Metal Hoods & Housings

防护等级 Degree of protection: IP65


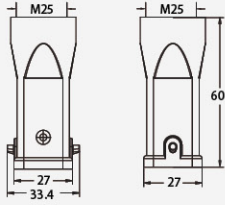
防护盖 Protection covers

|   |   |   |   |
|---|---|---|---|
|  | 接线方式 Connect way<br> | 型号 Type<br>H3A-MCV-1L/1M<br>(配公芯 for male insert) |  |
|   |                      | H3A-MCV-1L/1F<br>(配母芯 for female insert)          |   |

防护盖 Protection covers

|   |   |   |   |
|---|---|---|---|
|  | 接线方式 Connect way<br> | 型号 Type<br>H3A-MCV-2B/1M<br>(配公芯 for male insert) |  |
|   |                      | H3A-MCV-2B/2M<br>(配公芯 for male insert)            |   |
|   |                      | H3A-MCV-2B/1F<br>(配母芯 for female insert)          |   |
|   |                      | H3A-MCV-2B/2F<br>(配母芯 for female insert)          |   |

上壳 顶出线 Hoods, top entry

|  |                  |                          |  |
|--|------------------|--------------------------|--|
|  | 螺纹 Thread<br>M25 | 型号 Type<br>H3A-TE-2B-M25 |  |
|--|------------------|--------------------------|--|

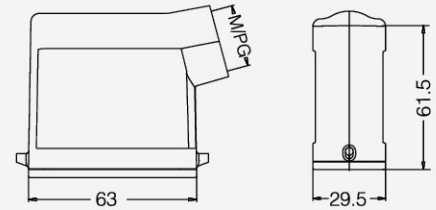
10A 金属外壳 Metal Hoods & Housings

防护等级 Degree of protection: IP65

上壳 侧出线 Hoods, side entry



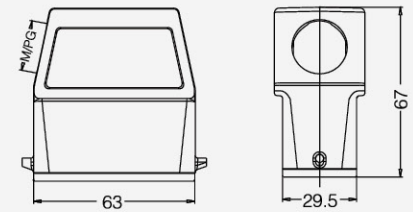
|           |                 |
|-----------|-----------------|
| 螺纹 Thread | 型号 Type         |
| M20       | H10A-SE-2B-M20  |
| PG16      | H10A-SE-2B-PG16 |



上壳 侧出线 高结构 Hoods, side entry, high construction



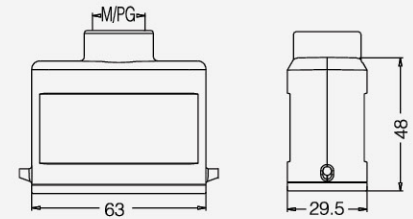
|           |                  |
|-----------|------------------|
| 螺纹 Thread | 型号 Type          |
| M25       | H10A-SEH-2B-M25  |
| PG16      | H10A-SEH-2B-PG16 |
| PG21      | H10A-SEH-2B-PG21 |



上壳 顶出线 Hoods, top entry



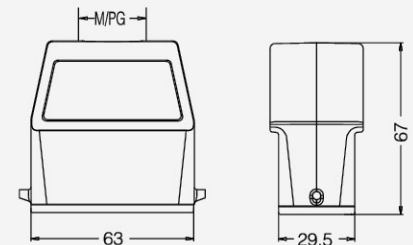
|           |                   |
|-----------|-------------------|
| 螺纹 Thread | 型号 Type           |
| M20       | H10A-TE-2B-M20    |
| PG13.5    | H10A-TE-2B-PG13.5 |



上壳 顶出线 高结构 Hoods, top entry, high construction



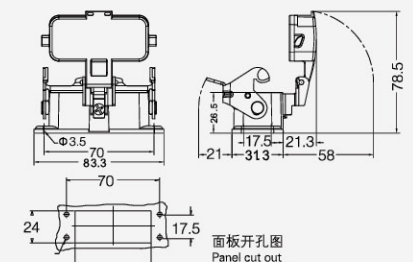
|           |                  |
|-----------|------------------|
| 螺纹 Thread | 型号 Type          |
| M25       | H10A-TEH-2B-M25  |
| PG16      | H10A-TEH-2B-PG16 |
| PG21      | H10A-TEH-2B-PG21 |



不封底下壳 Housings, bulkhead mounting



|           |                         |
|-----------|-------------------------|
| 螺纹 Thread | 型号 Type                 |
| ---       | H10A-BK-1L              |
| ---       | 带塑料盖 With plastic cover |
| ---       | H10A-BK-1L-CV           |
| ---       | 带金属盖 With metal cover   |
| ---       | H10A-BK-1L-MCV          |



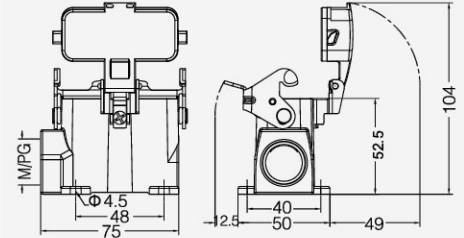
10A 金属外壳 Metal Hoods & Housings

防护等级 Degree of protection: IP65

封底下壳 Housings, surface mounting



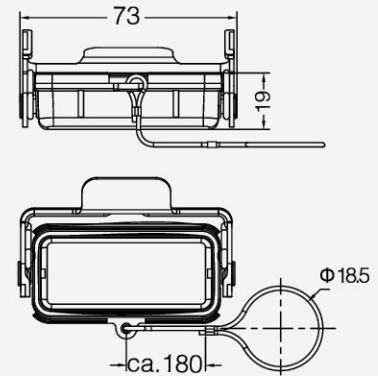
| 螺纹 Thread | 型号 Type                 |
|-----------|-------------------------|
| M20       | H10A-SF-1L-M20          |
| 2M20      | H10A-SF-1L-2M20         |
| M25       | H10A-SF-1L-M25          |
| PG16      | H10A-SF-1L-PG16         |
| 2PG16     | H10A-SF-1L-2PG16        |
| PG21      | H10A-SF-1L-PG21         |
|           | 带塑料盖 With plastic cover |
| M20       | H10A-SF-1L-CV-M20       |
| 2M20      | H10A-SF-1L-CV-2M20      |
| M25       | H10A-SF-1L-CV-M25       |
| PG16      | H10A-SF-1L-CV-PG16      |
| 2PG16     | H10A-SF-1L-CV-2PG16     |
| PG21      | H10A-SF-1L-CV-PG21      |
|           | 带金属盖 With metal cover   |
| M20       | H10A-SF-1L-MCV-M20      |
| 2M20      | H10A-SF-1L-MCV-2M20     |
| M25       | H10A-SF-1L-MCV-M25      |
| PG16      | H10A-SF-1L-MCV-PG16     |
| 2PG16     | H10A-SF-1L-MCV-2PG16    |
| PG21      | H10A-SF-1L-MCV-PG21     |



防护盖 Protection covers



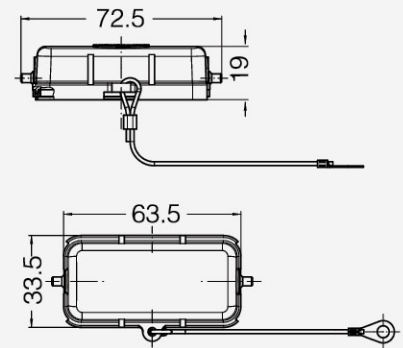
| 接线方式 Connect way   | 描述 Applications         | 型号 Type       |
|--|-------------------------|---------------|
|  | 金属盖 / 用于上壳<br>For hoods | H10A-MCV-1L.1 |



防护盖 Protection covers



| 接线方式 Connect way  | 描述 Applications            | 型号 Type        |
|---|----------------------------|----------------|
|  | 金属盖 / 用于下壳<br>For housings | H10A-MCV-2B/1S |
|  | 金属盖 / 用于下壳<br>For housings | H10A-MCV-2B/2S |



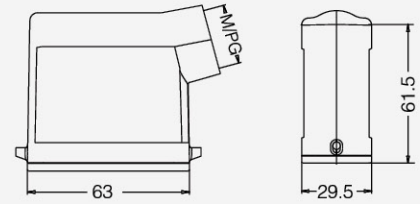
16A 金属外壳 Metal Hoods & Housings

防护等级 Degree of protection: IP65

上壳 侧出线 Hoods, side entry



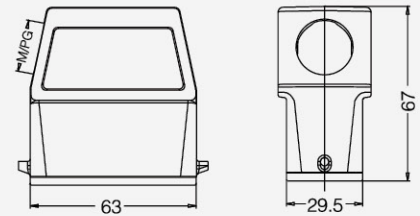
| 螺纹 Thread | 型号 Type         |
|-----------|-----------------|
| M20       | H16A-SE-2B-M20  |
| PG16      | H16A-SE-2B-PG16 |



上壳 侧出线 高结构 Hoods, side entry, high construction



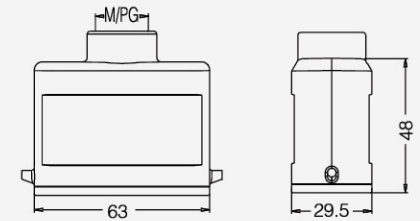
| 螺纹 Thread | 型号 Type          |
|-----------|------------------|
| M25       | H16A-SEH-2B-M25  |
| PG16      | H16A-SEH-2B-PG16 |
| PG21      | H16A-SEH-2B-PG21 |



上壳 顶出线 Hoods, top entry



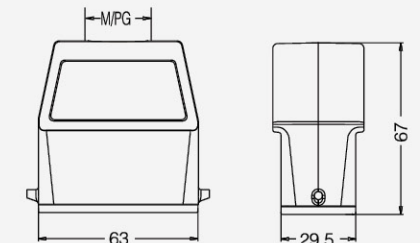
| 螺纹 Thread | 型号 Type         |
|-----------|-----------------|
| M20       | H16A-TE-2B-M20  |
| PG13.5    | H16A-TE-2B-PG16 |



上壳 顶出线 高结构 Hoods, top entry, high construction



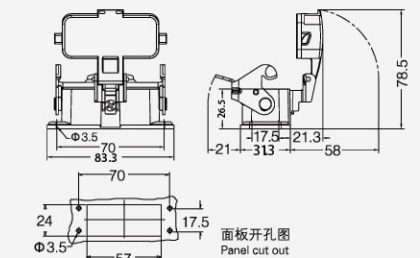
| 螺纹 Thread | 型号 Type          |
|-----------|------------------|
| M25       | H16A-TEH-2B-M25  |
| PG16      | H16A-TEH-2B-PG16 |
| PG21      | H16A-TEH-2B-PG21 |



不封底下壳 Housings, bulkhead mounting



| 螺纹 Thread | 型号 Type                                  |
|-----------|--|
| ---       | H16A-BK-1L                               |
| ---       | 带塑料盖 With plastic cover<br>H16A-BK-1L-CV |
| ---       | 带金属盖 With metal cover<br>H16A-BK-1L-MCV  |

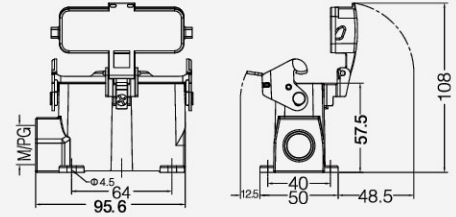


16A 金属外壳 Metal Hoods & Housings

防护等级 Degree of protection: IP65

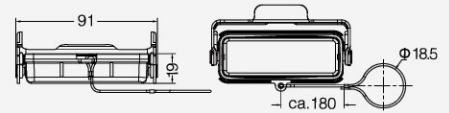
封底下壳 Housings, surface mounting

| 螺纹 Thread               | 型号 Type              |
|-------------------------|----------------------|
| M20                     | H16A-SF-1L-M20       |
| 2M20                    | H16A-SF-1L-2M20      |
| M25                     | H16A-SF-1L-M25       |
| 2M25                    | H16A-SF-1L-2M25      |
| PG16                    | H16A-SF-1L-PG16      |
| 2PG16                   | H16A-SF-1L-2PG16     |
| PG21                    | H16A-SF-1L-PG21      |
| 带塑料盖 With plastic cover |                      |
| M20                     | H16A-SF-1L-CV-M20    |
| 2M20                    | H16A-SF-1L-CV-2M20   |
| M25                     | H16A-SF-1L-CV-M25    |
| 2M25                    | H16A-SF-1L-CV-2M25   |
| PG16                    | H16A-SF-1L-CV-PG16   |
| 2PG16                   | H16A-SF-1L-CV-2PG16  |
| PG21                    | H16A-SF-1L-CV-PG21   |
| 带金属盖 With metal cover   |                      |
| M20                     | H16A-SF-1L-MCV-M20   |
| 2M20                    | H16A-SF-1L-MCV-2M20  |
| M25                     | H16A-SF-1L-MCV-M25   |
| 2M25                    | H16A-SF-1L-MCV-2M25  |
| PG16                    | H16A-SF-1L-MCV-PG16  |
| 2PG16                   | H16A-SF-1L-MCV-2PG16 |
| PG21                    | H16A-SF-1L-MCV-PG21  |



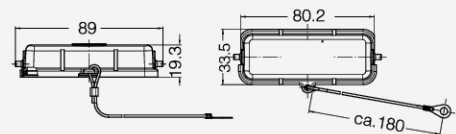
防护盖 Protection covers

| 接线方式 Connect way  | 描述 Applications         | 型号 Type       |
|---|-------------------------|---------------|
|  | 金属盖 / 用于上壳<br>For hoods | H16A-MCV-1L.1 |



防护盖 Protection covers

| 接线方式 Connect way  | 描述 Applications            | 型号 Type        |
|---|----------------------------|----------------|
|  | 金属盖 / 用于下壳<br>For housings | H16A-MCV-2B/1S |
|  | 金属盖 / 用于下壳<br>For housings | H16A-MCV-2B/2S |



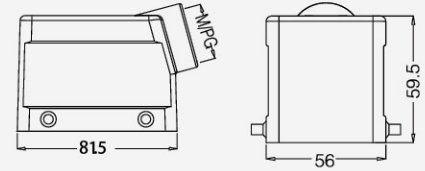
32A 金属外壳 Metal Hoods & Housings

防护等级 Degree of protection: IP65

上壳 侧出线 Hoods, side entry



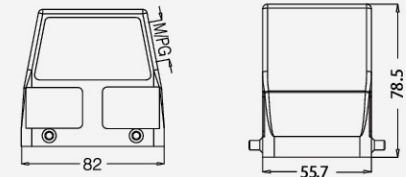
| 螺纹 Thread | 型号 Type         |
|-----------|-----------------|
| M25       | H32A-SE-4B-M25  |
| PG21      | H32A-SE-4B-PG21 |



上壳 侧出线 高结构 Hoods, side entry, high construction



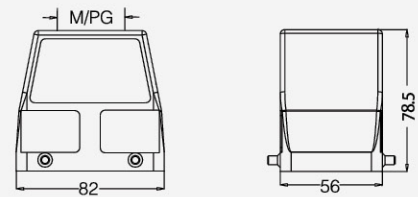
| 螺纹 Thread | 型号 Type          |
|-----------|------------------|
| M32       | H32A-SEH-4B-M32  |
| PG21      | H32A-SEH-4B-PG21 |
| PG29      | H32A-SEH-4B-PG29 |



上壳 顶出线 高结构 Hoods, top entry, high construction



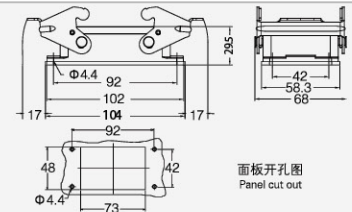
| 螺纹 Thread | 型号 Type          |
|-----------|------------------|
| M25       | H32A-TEH-4B-M25  |
| M32       | H32A-TEH-4B-M32  |
| PG21      | H32A-TEH-4B-PG21 |
| PG29      | H32A-TEH-4B-PG29 |



不封底下壳 Housings, bulkhead mounting



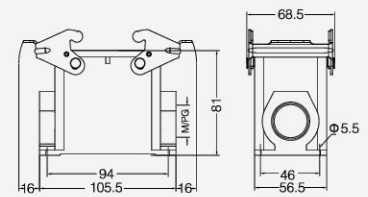
| 螺纹 Thread | 型号 Type    |
|-----------|------------|
| ---       | H32A-BK-2L |



封底下壳 Housings, surface mounting



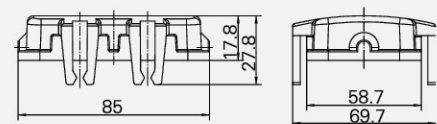
| 螺纹 Thread | 型号 Type          |
|-----------|------------------|
| M25       | H32A-SF-2L-M25   |
| M32       | H32A-SF-2L-M32   |
| 2M32      | H32A-SF-2L-2M32  |
| PG21      | H32A-SF-2L-PG21  |
| 2PG21     | H32A-SF-2L-2PG21 |
| PG29      | H32A-SF-2L-PG29  |
| 2PG29     | H32A-SF-2L-2PG29 |



塑料防护盖 4 卡扣 Protection covers, plastic cover 4 clamps



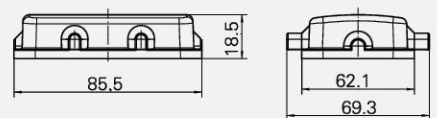
| 接线方式<br>Connect way | 描述<br>Applications      | 型号<br>Type |
|---------------------|-------------------------|------------|
|                     | 金属盖 / 用于上壳<br>For hoods | H32A-CV-4C |



塑料防护盖 Protection covers, plastic cover



| 接线方式<br>Connect way | 描述<br>Applications         | 型号<br>Type   |
|---------------------|----------------------------|--------------|
|                     | 金属盖 / 用于上壳<br>For hoods    | H32A-CV-4B/1 |
|                     | 金属盖 / 用于下壳<br>For housings | H32A-CV-4B/2 |





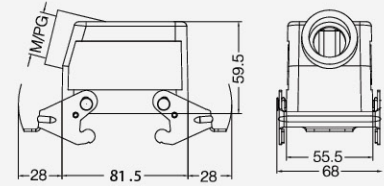
32A 金属外壳 Metal Hoods & Housings

防护等级 Degree of protection: IP65

上壳 侧出线 Hoods, side entry



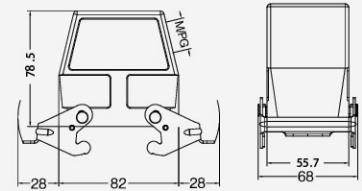
| 螺纹 Thread | 型号 Type         |
|-----------|-----------------|
| M25       | H32A-SE-2L-M25  |
| PG21      | H32A-SE-2L-PG21 |



上壳 侧出线 高结构 Hoods, side entry, high construction



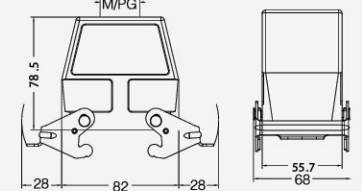
| 螺纹 Thread | 型号 Type          |
|-----------|------------------|
| M32       | H32A-SEH-2L-M32  |
| PG21      | H32A-SEH-2L-PG21 |
| PG29      | H32A-SEH-2L-PG29 |



上壳 顶出线 高结构 Hoods, top entry, high construction



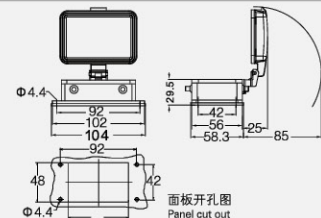
| 螺纹 Thread | 型号 Type          |
|-----------|------------------|
| M25       | H32A-TEH-2L-M25  |
| M32       | H32A-TEH-2L-M32  |
| PG21      | H32A-TEH-2L-PG21 |
| PG29      | H32A-TEH-2L-PG29 |



不封底下壳 Housings, bulkhead mounting



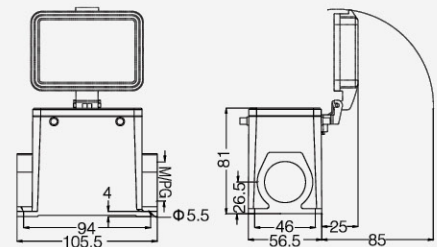
| 螺纹 Thread | 型号 Type                 |
|-----------|-------------------------|
| ---       | H32A-BK-4B              |
| ---       | 带塑料盖 With plastic cover |
| ---       | H32A-BK-4B-CV           |
| ---       | 带金属盖 With metal cover   |
| ---       | H32A-BK-4B-MCV          |



封底下壳 Housings, surface mounting



| 螺纹 Thread | 型号 Type                 |
|-----------|-------------------------|
| M25       | H32A-SF-4B-M25          |
| M32       | H32A-SF-4B-M32          |
| 2M32      | H32A-SF-4B-2M32         |
| PG21      | H32A-SF-4B-PG21         |
| 2PG21     | H32A-SF-4B-2PG21        |
| PG29      | H32A-SF-4B-PG29         |
| 2PG29     | H32A-SF-4B-2PG29        |
|           | 带塑料盖 With plastic cover |
| M25       | H32A-SF-4B-CV-M25       |
| M32       | H32A-SF-4B-CV-M32       |
| 2M32      | H32A-SF-4B-CV-2M32      |
| PG21      | H32A-SF-4B-CV-PG21      |
| 2PG21     | H32A-SF-4B-CV-2PG21     |
| PG29      | H32A-SF-4B-CV-PG29      |
| 2PG29     | H32A-SF-4B-CV-2PG29     |
|           | 带金属盖 With metal cover   |
| M25       | H32A-SF-4B-MCV-M25      |
| M32       | H32A-SF-4B-MCV-M32      |
| 2M32      | H32A-SF-4B-MCV-2M32     |
| PG21      | H32A-SF-4B-MCV-PG21     |
| 2PG21     | H32A-SF-4B-MCV-2PG21    |
| PG29      | H32A-SF-4B-MCV-PG29     |
| 2PG29     | H32A-SF-4B-MCV-2PG29    |



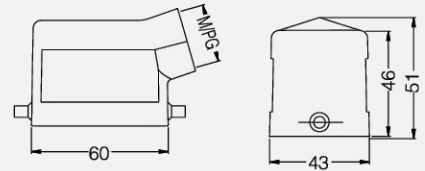
6B 金属外壳 Metal Hoods & Housings

防护等级 Degree of protection: IP65

上壳 侧出线 Hoods, side entry



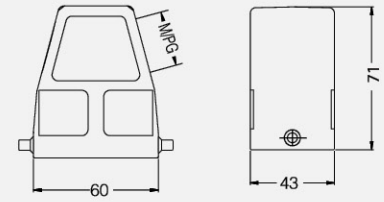
| 螺纹 Thread | 型号 Type          |
|-----------|------------------|
| M20       | H6B-SE-2B-M20    |
| M25       | H6B-SE-2B-M25    |
| PG13.5    | H6B-SE-2B-PG13.5 |
| PG16      | H6B-SE-2B-PG16   |



上壳 侧出线 高结构 Hoods, side entry, high construction



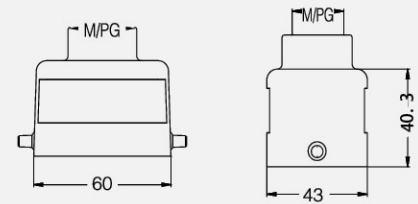
| 螺纹 Thread | 型号 Type         |
|-----------|-----------------|
| M25       | H6B-SEH-2B-M25  |
| M32       | H6B-SEH-2B-M32  |
| PG21      | H6B-SEH-2B-PG21 |
| PG29      | H6B-SEH-2B-PG29 |



上壳 顶出线 Hoods, top entry



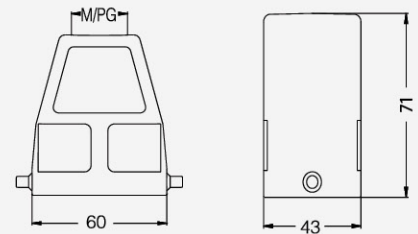
| 螺纹 Thread | 型号 Type          |
|-----------|------------------|
| M20       | H6B-TE-2B-M20    |
| M25       | H6B-TE-2B-M25    |
| PG13.5    | H6B-TE-2B-PG13.5 |
| PG16      | H6B-TE-2B-PG16   |



上壳 顶出线 高结构 Hoods, top entry, high construction



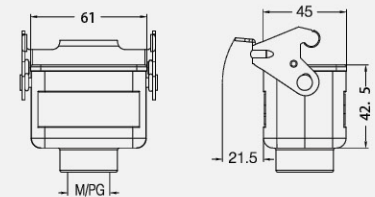
| 螺纹 Thread | 型号 Type         |
|-----------|-----------------|
| M20       | H6B-TEH-2B-M20  |
| M25       | H6B-TEH-2B-M25  |
| M32       | H6B-TEH-2B-M32  |
| PG16      | H6B-TEH-2B-PG16 |
| PG21      | H6B-TEH-2B-PG21 |
| PG29      | H6B-TEH-2B-PG29 |



飞线下壳 Housings, cable to cable



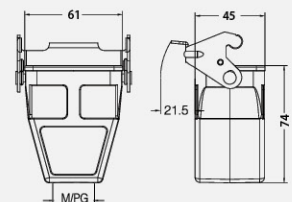
| 螺纹 Thread | 型号 Type           |
|-----------|-------------------|
| M20       | H6B-CCT-1L-M20    |
| PG13.5    | H6B-CCT-1L-PG13.5 |
| PG16      | H6B-CCT-1L-PG16   |



飞线下壳 高结构 Housings, cable to cable, high construction



| 螺纹 Thread | 型号 Type          |
|-----------|------------------|
| M25       | H6B-CCTH-1L-M25  |
| PG21      | H6B-CCTH-1L-PG21 |
| PG29      | H6B-CCTH-1L-PG29 |



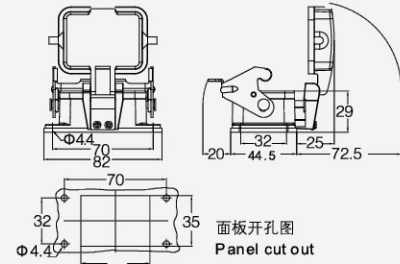
6B 金属外壳 Metal Hoods & Housings

防护等级 Degree of protection: IP65

不封底下壳 Housings, bulkhead mounting



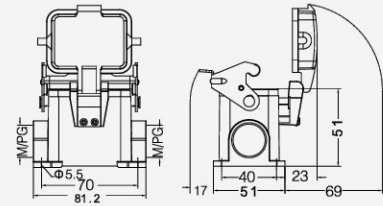
| 螺纹 Thread | 型号 Type                 |
|-----------|-------------------------|
| ---       | H6B-BK-1L               |
| ---       | 带塑料盖 With plastic cover |
| ---       | H6B-BK-1L-CV            |
| ---       | 带金属盖 With metal cover   |
| ---       | H6B-BK-1L-MCV           |



封底下壳 Housings, surface mounting



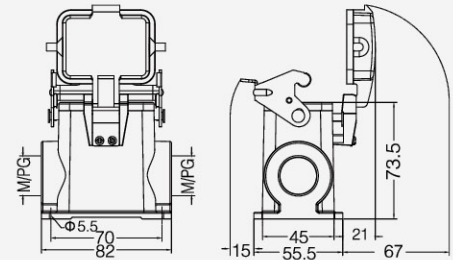
| 螺纹 Thread | 型号 Type                 |
|-----------|-------------------------|
| M20       | H6B-SF-1L-M20           |
| 2M20      | H6B-SF-1L-2M20          |
| M25       | H6B-SF-1L-M25           |
| 2M25      | H6B-SF-1L-2M25          |
| PG16      | H6B-SF-1L-PG16          |
| 2PG16     | H6B-SF-1L-2PG16         |
|           | 带塑料盖 With plastic cover |
| M20       | H6B-SF-1L-CV-M20        |
| 2M20      | H6B-SF-1L-CV-2M20       |
| M25       | H6B-SF-1L-CV-M25        |
| 2M25      | H6B-SF-1L-CV-2M25       |
| PG16      | H6B-SF-1L-CV-PG16       |
| 2PG16     | H6B-SF-1L-CV-2PG16      |
|           | 带金属盖 With metal cover   |
| M20       | H6B-SF-1L-MCV-M20       |
| 2M20      | H6B-SF-1L-MCV-2M20      |
| M25       | H6B-SF-1L-MCV-M25       |
| 2M25      | H6B-SF-1L-MCV-2M25      |
| PG16      | H6B-SF-1L-MCV-PG16      |
| 2PG16     | H6B-SF-1L-MCV-2PG16     |



封底下壳 高结构 Housings, surface mounting, high construction



| 螺纹 Thread | 型号 Type                 |
|-----------|-------------------------|
| M25       | H6B-SFH-1L-M25          |
| 2M25      | H6B-SFH-1L-2M25         |
| M32       | H6B-SFH-1L-M32          |
| 2M32      | H6B-SFH-1L-2M32         |
| PG21      | H6B-SFH-1L-PG21         |
| 2PG21     | H6B-SFH-1L-2PG21        |
| PG29      | H6B-SFH-1L-PG29         |
| 2PG29     | H6B-SFH-1L-2PG29        |
|           | 带塑料盖 With plastic cover |
| M25       | H6B-SFH-1L-CV-M25       |
| 2M25      | H6B-SFH-1L-CV-2M25      |
| M32       | H6B-SFH-1L-CV-M32       |
| 2M32      | H6B-SFH-1L-CV-2M32      |
| PG21      | H6B-SFH-1L-CV-PG21      |
| 2PG21     | H6B-SFH-1L-CV-2PG21     |
| PG29      | H6B-SFH-1L-CV-PG29      |
| 2PG29     | H6B-SFH-1L-CV-2PG29     |
|           | 带金属盖 With metal cover   |
| M25       | H6B-SFH-1L-MCV-M25      |
| 2M25      | H6B-SFH-1L-MCV-2M25     |
| M32       | H6B-SFH-1L-MCV-M32      |
| 2M32      | H6B-SFH-1L-MCV-2M32     |
| PG21      | H6B-SFH-1L-MCV-PG21     |
| 2PG21     | H6B-SFH-1L-MCV-2PG21    |
| PG29      | H6B-SFH-1L-MCV-PG29     |
| 2PG29     | H6B-SFH-1L-MCV-2PG29    |



6B 金属外壳 Metal Hoods & Housings

防护等级 Degree of protection: IP65

防护盖 Protection covers

| 接线方式<br>Connect way   | 描述<br>Applications      | 型号<br>Type |
|---|-------------------------|------------|
|  | 金属盖 / 用于上壳<br>For hoods | H6B-CV-2C  |




防护盖 Protection covers

| 接线方式<br>Connect way   | 描述<br>Applications         | 型号<br>Type   |
|---|----------------------------|--------------|
|  | 金属盖 / 用于下壳<br>For housings | H6B-MCV-2B/1 |
|  | 金属盖 / 用于下壳<br>For housings | H6B-MCV-2B/2 |




防护盖 Protection covers

| 接线方式<br>Connect way   | 描述<br>Applications      | 型号<br>Type    |
|---|-------------------------|---------------|
|  | 金属盖 / 用于上壳<br>For hoods | H6B-MCV-1L.1S |




10B 金属外壳 Metal Hoods & Housings

防护等级 Degree of protection: IP65

上壳 侧出线 Hoods, side entry

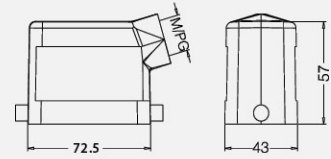


螺纹 Thread

M20  
M25  
PG16

型号 Type

H10B-SE-2B-M20  
H10B-SE-2B-M25  
H10B-SE-2B-PG1



上壳 侧出线 高结构 Hoods, side entry, high construction

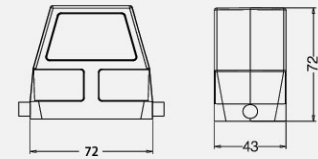


螺纹 Thread

M25  
M32  
PG21  
PG29

型号 Type

H10B-SEH-2B-M25  
H10B-SEH-2B-M32  
H10B-SEH-2B-PG21  
H10B-SEH-2B-PG29



上壳 顶出线 Hoods, top entry

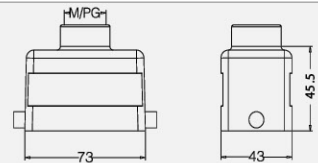


螺纹 Thread

M20  
M25  
PG16

型号 Type

H10B-TE-2B-M20  
H10B-TE-2B-M25  
H10B-TE-2B-PG16



上壳 顶出线 高结构 Hoods, top entry, high construction

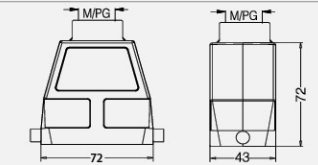


螺纹 Thread

M25  
M32  
PG21  
PG29

型号 Type

H10B-TEH-2B-M25  
H10B-TEH-2B-M32  
H10B-TEH-2B-PG21  
H10B-TEH-2B-PG29



飞线下壳 Housings, cable to cable

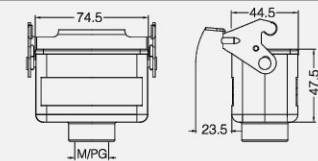


螺纹 Thread

M20  
PG16

型号 Type

H10B-CCT-1L-M20  
H10B-CCT-1L-PG16



飞线下壳 高结构 Housings, cable to cable, high construction

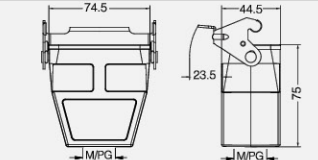


螺纹 Thread

M25  
M32  
PG21  
PG29

型号 Type

H10B-CCTH-1L-M25  
H10B-CCTH-1L-M32  
H10B-CCTH-1L-PG21  
H10B-CCTH-1L-PG29



10B 金属外壳 Metal Hoods & Housings

防护等级 Degree of protection: IP65

不封底下壳 Housings, bulkhead mounting


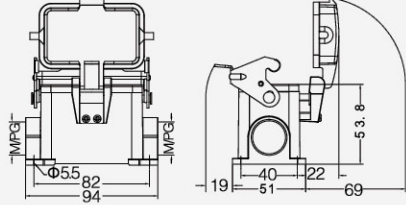
| 螺纹 Thread | 型号 Type                 |
|-----------|-------------------------|
| ---       | H10B-BK-1L              |
| ---       | 带塑料盖 With plastic cover |
| ---       | H10B-BK-1L-CV           |
| ---       | 带金属材料盖 With metal cover |
| ---       | H10B-BK-1L-MCV          |




面板开孔图  
Panel cut out


封底下壳 Housings, surface mounting

| 螺纹 Thread | 型号 Type                 |
|-----------|-------------------------|
| M20       | H10B-SF-1L-M20          |
| 2M20      | H10B-SF-1L-2M20         |
| M25       | H10B-SF-1L-M25          |
| 2M25      | H10B-SF-1L-2M25         |
| PG16      | H10B-SF-1L-PG16         |
| 2PG16     | H10B-SF-1L-2PG16        |
| ---       | 带塑料盖 With plastic cover |
| M20       | H10B-SF-1L-CV-M20       |
| 2M20      | H10B-SF-1L-CV-2M20      |
| M25       | H10B-SF-1L-CV-M25       |
| 2M25      | H10B-SF-1L-CV-2M25      |
| PG16      | H10B-SF-1L-CV-PG16      |
| 2PG16     | H10B-SF-1L-CV-2PG16     |
| ---       | 带金属盖 With metal cover   |
| M20       | H10B-SF-1L-MCV-M20      |
| 2M20      | H10B-SF-1L-MCV-2M20     |
| M25       | H10B-SF-1L-MCV-M25      |
| 2M25      | H10B-SF-1L-MCV-2M25     |
| PG16      | H10B-SF-1L-MCV-PG16     |
| 2PG16     | H10B-SF-1L-MCV-2PG16    |

封底下壳 高结构 Housings, surface mounting, high construction

| 螺纹 Thread | 型号 Type                 |
|-----------|-------------------------|
| M25       | H10B-SFH-1L-M25         |
| 2M25      | H10B-SFH-1L-2M25        |
| M32       | H10B-SFH-1L-M32         |
| 2M32      | H10B-SFH-1L-2M32        |
| PG21      | H10B-SFH-1L-PG21        |
| 2PG21     | H10B-SFH-1L-2PG21       |
| PG29      | H10B-SFH-1L-PG29        |
| 2PG29     | H10B-SFH-1L-2PG29       |
| ---       | 带塑料盖 With plastic cover |
| M25       | H10B-SFH-1L-CV-M25      |
| 2M25      | H10B-SFH-1L-CV-2M25     |
| M32       | H10B-SFH-1L-CV-M32      |
| 2M32      | H10B-SFH-1L-CV-2M32     |
| PG21      | H10B-SFH-1L-CV-PG21     |
| 2PG21     | H10B-SFH-1L-CV-2PG21    |
| PG29      | H10B-SFH-1L-CV-PG29     |
| 2PG29     | H10B-SFH-1L-CV-2PG29    |
| ---       | 带金属材料盖 With metal cover |
| M25       | H10B-SFH-1L-MCV-M25     |
| 2M25      | H10B-SFH-1L-MCV-2M25    |
| M32       | H10B-SFH-1L-MCV-M32     |
| 2M32      | H10B-SFH-1L-MCV-2M32    |
| PG21      | H10B-SFH-1L-MCV-PG21    |
| 2PG21     | H10B-SFH-1L-MCV-2PG21   |
| PG29      | H10B-SFH-1L-MCV-PG29    |
| 2PG29     | H10B-SFH-1L-MCV-2PG29   |




10B 金属外壳 Metal Hoods & Housings

防护等级 Degree of protection: IP65

上壳 侧出线 Hoods, side entry

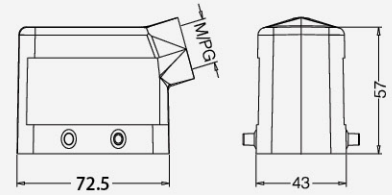


螺纹 Thread

M20  
M25  
PG16

型号 Type

H10B-SE-4B-M20  
H10B-SE-4B-M25  
H10B-SE-4B-PG16



上壳 侧出线 高结构 Hoods, side entry, high construction

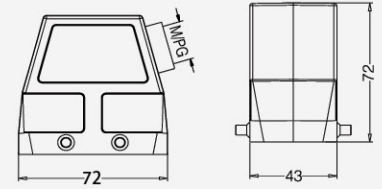


螺纹 Thread

M25  
M32  
PG21  
PG29

型号 Type

H10B-SEH-4B-M25  
H10B-SEH-4B-M32  
H10B-SEH-4B-PG21  
H10B-SEH-4B-PG29



上壳 顶出线 Hoods, top entry

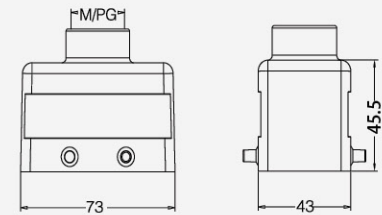


螺纹 Thread

M20  
M25  
PG16

型号 Type

H10B-TE-4B-M20  
H10B-TE-4B-M25  
H10B-TE-4B-PG16



上壳 顶出线 高结构 Hoods, top entry, high construction

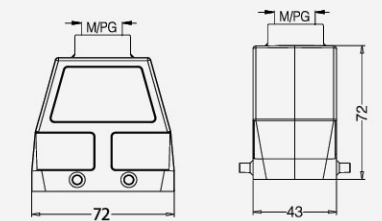


螺纹 Thread

M25  
M32  
2M20  
PG16  
PG21  
PG29

型号 Type

H10B-TEH-4B-M25  
H10B-TEH-4B-M32  
H10B-TEH-4B-2M20  
H10B-TEH-4B-PG16  
H10B-TEH-4B-PG21  
H10B-TEH-4B-PG29



不封底下壳 Housings, bulkhead mounting

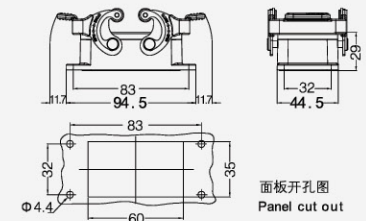


螺纹 Thread

---

型号 Type

H10B-BK-2L



封底下壳 Housings, surface mounting

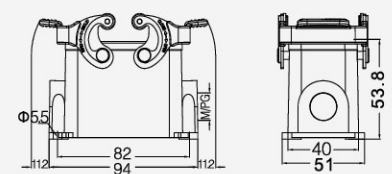


螺纹 Thread

M20  
2M20  
M25  
2M25  
PG16  
2PG16

型号 Type

H10B-SF-2L-M20  
H10B-SF-2L-2M20  
H10B-SF-2L-M25  
H10B-SF-2L-2M25  
H10B-SF-2L-PG16  
H10B-SF-2L-2PG16




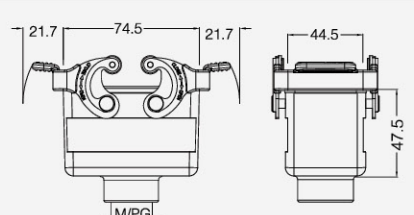
10B 金属外壳 Metal Hoods & Housings

防护等级 Degree of protection: IP65


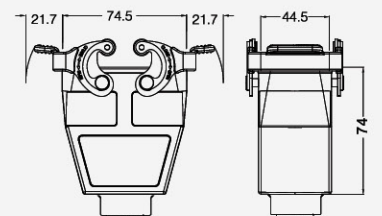
封底下壳 Housings, surface mounting

|   |                   |                   |   |
|---|-------------------|-------------------|---|
|  | 螺纹 Thread         | 型号 Type           |  |
|   | M25               | H10B-SFH-2L-M25   |   |
|   | 2M25              | H10B-SFH-2L-2M25  |   |
|   | M32               | H10B-SFH-2L-M32   |   |
|   | 2M32              | H10B-SFH-2L-2M32  |   |
|   | PG21              | H10B-SFH-2L-PG21  |   |
|   | 2PG21             | H10B-SFH-2L-2PG21 |   |
| PG29  | H10B-SFH-2L-PG29  |                   |   |
| 2PG29   | H10B-SFH-2L-2PG29 |                   |   |


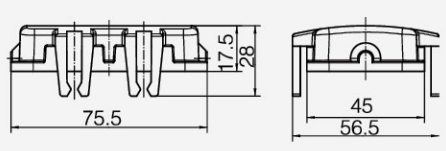
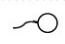
上壳 侧出线 Hoods, side entry

|   |           |                  |   |
|---|-----------|------------------|---|
|  | 螺纹 Thread | 型号 Type          |  |
|   | M20       | H10B-CCT-2L-M20  |   |
|   | PG16      | H10B-CCT-2L-PG16 |   |


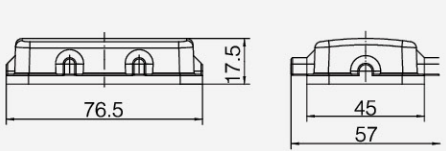


上壳 侧出线 高结构 Hoods, side entry, high construction

|  |           |                   |  |
|--|-----------|-------------------|--|
|  | 螺纹 Thread | 型号 Type           |  |
|  | M25       | H10B-CCTH-2L-M25  |  |
|  | M32       | H10B-CCTH-2L-M32  |  |
|  | PG21      | H10B-CCTH-2L-PG21 |  |
|  | PG29      | H10B-CCTH-2L-PG29 |  |

防护盖 Protection covers

|   |   |                 |            |   |
|---|---|-----------------|------------|---|
|  | 接线方式 Connect way  | 描述 Applications | 型号 Type    |  |
|   |  | 用于上壳 For hoods  | H10B-CV-4C |   |

防护盖 Protection covers

|   |   |   |              |   |
|---|---|---|--------------|---|
|  | 接线方式 Connect way  | 描述 Applications   | 型号 Type      |  |
|   |  | 塑料盖 / 用于飞线下壳 For Housings, cable to cable                 | H10B-CV-4B/1 |   |
|   |  | 塑料盖 / 用于不封底, 封底下壳 For housing, bulkhead/ surface mounting | H10B-CV-4B/2 |   |



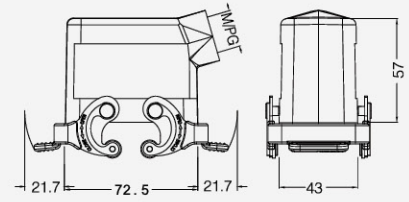
10B 金属外壳 Metal Hoods & Housings

防护等级 Degree of protection: IP65

上壳 侧出线 Hoods, side entry



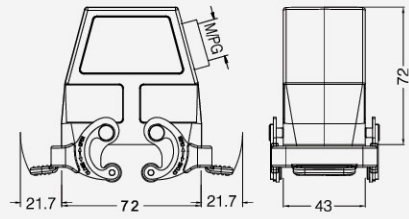
| 螺纹 Thread | 型号 Type         |
|-----------|-----------------|
| M20       | H10B-SE-2L-M20  |
| PG16      | H10B-SE-2L-PG16 |



上壳 侧出线 高结构 Hoods, side entry, high construction



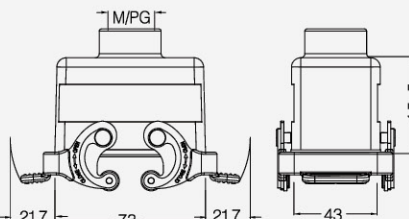
| 螺纹 Thread | 型号 Type          |
|-----------|------------------|
| M25       | H10B-SEH-2L-M25  |
| M32       | H10B-SEH-2L-M32  |
| PG21      | H10B-SEH-2L-PG21 |
| PG29      | H10B-SEH-2L-PG29 |



上壳 侧出线 Hoods, side entry



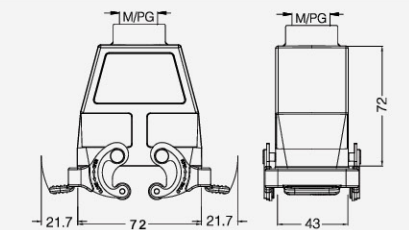
| 螺纹 Thread | 型号 Type         |
|-----------|-----------------|
| M20       | H10B-TE-2L-M20  |
| PG16      | H10B-TE-2L-PG16 |



上壳 侧出线 高结构 Hoods, side entry, high construction



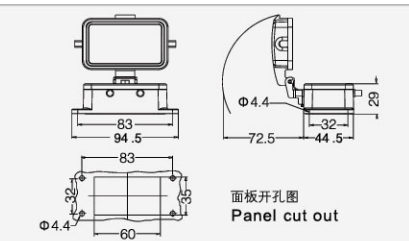
| 螺纹 Thread | 型号 Type          |
|-----------|------------------|
| M25       | H10B-TEH-2L-M25  |
| M32       | H10B-TEH-2L-M32  |
| PG21      | H10B-TEH-2L-PG21 |
| PG29      | H10B-TEH-2L-PG29 |



不封底下壳 Housings, bulkhead mounting



| 螺纹 Thread | 型号 Type                 |
|-----------|-------------------------|
| ---       | H10B-BK-4B              |
| ---       | 带塑料盖 With plastic cover |
| ---       | H10B-BK-4B-CV           |
| ---       | 带金属盖 With metal cover   |
| ---       | H10B-BK-4B-MCV          |



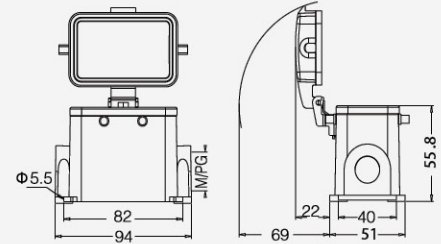
10B 金属外壳 Metal Hoods & Housings

防护等级 Degree of protection: IP65

封底下壳 Housings, surface mounting



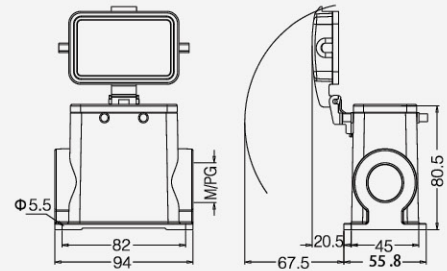
| 螺纹 Thread               | 型号 Type              |
|-------------------------|----------------------|
| M20                     | H10B-SF-4B-M20       |
| 2M20                    | H10B-SF-4B-2M20      |
| M25                     | H10B-SF-4B-M25       |
| 2M25                    | H10B-SF-4B-2M25      |
| PG16                    | H10B-SF-4B-PG16      |
| 2PG16                   | H10B-SF-4B-2PG16     |
| 带塑料盖 With plastic cover |                      |
| M20                     | H10B-SF-4B-CV-M20    |
| 2M20                    | H10B-SF-4B-CV-2M20   |
| M25                     | H10B-SF-4B-CV-M25    |
| 2M25                    | H10B-SF-4B-CV-2M25   |
| PG16                    | H10B-SF-4B-CV-PG16   |
| 2PG16                   | H10B-SF-4B-CV-2PG16  |
| 带金属盖 With metal cover   |                      |
| M20                     | H10B-SF-4B-MCV-M20   |
| 2M20                    | H10B-SF-4B-MCV-2M20  |
| M25                     | H10B-SF-4B-MCV-M25   |
| 2M25                    | H10B-SF-4B-MCV-2M25  |
| PG16                    | H10B-SF-4B-MCV-PG16  |
| 2PG16                   | H10B-SF-4B-MCV-2PG16 |



封底下壳 高结构 Housings, surface mounting, high construction



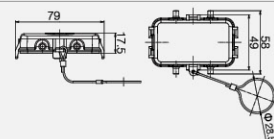
| 螺纹 Thread               | 型号 Type               |
|-------------------------|-----------------------|
| M25                     | H10B-SFH-4B-M25       |
| 2M25                    | H10B-SFH-4B-2M25      |
| M32                     | H10B-SFH-4B-M32       |
| 2M32                    | H10B-SFH-4B-2M32      |
| PG21                    | H10B-SFH-4B-PG21      |
| 2PG21                   | H10B-SFH-4B-2PG21     |
| PG29                    | H10B-SFH-4B-PG29      |
| 2PG29                   | H10B-SFH-4B-2PG29     |
| 带塑料盖 With plastic cover |                       |
| M25                     | H10B-SFH-4B-CV-M25    |
| 2M25                    | H10B-SFH-4B-CV-2M25   |
| M32                     | H10B-SFH-4B-CV-M32    |
| 2M32                    | H10B-SFH-4B-CV-2M32   |
| PG21                    | H10B-SFH-4B-CV-PG21   |
| 2PG21                   | H10B-SFH-4B-CV-2PG21  |
| PG29                    | H10B-SFH-4B-CV-PG29   |
| 2PG29                   | H10B-SFH-4B-CV-2PG29  |
| 带金属盖 With metal cover   |                       |
| M25                     | H10B-SFH-4B-MCV-M25   |
| 2M25                    | H10B-SFH-4B-MCV-2M25  |
| M32                     | H10B-SFH-4B-MCV-M32   |
| 2M32                    | H10B-SFH-4B-MCV-2M32  |
| PG21                    | H10B-SFH-4B-MCV-PG21  |
| 2PG21                   | H10B-SFH-4B-MCV-2PG21 |
| PG29                    | H10B-SFH-4B-MCV-PG29  |
| 2PG29                   | H10B-SFH-4B-MCV-2PG29 |



塑料防护盖 Protection covers, plastic cover



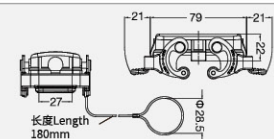
| 接线方式 Connect way | 描述 Applications            | 型号 Type       |
|------------------|----------------------------|---------------|
|                  | 金属盖 / 用于下壳<br>For housings | H10B-MCV-4B/1 |
|                  | 金属盖 / 用于下壳<br>For housings | H10B-MCV-4B/2 |



塑料防护盖 Protection covers, plastic cover




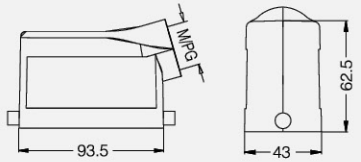
| 接线方式 Connect way | 描述 Applications            | 型号 Type        |
|------------------|----------------------------|----------------|
|                  | 金属盖 / 用于下壳<br>For housings | H10B-MCV-2L.1S |
|                  | 金属盖 / 用于下壳<br>For housings | H10B-MCV-2L.2S |




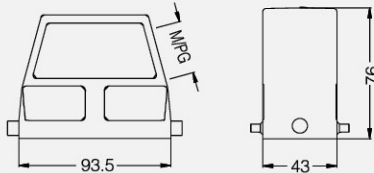
16B 金属外壳 Metal Hoods & Housings

防护等级 Degree of protection: IP65


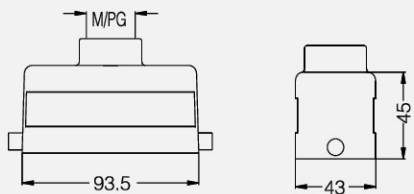
上壳 侧出线 Hoods, side entry

|   |           |                 |   |
|---|-----------|-----------------|---|
|  | 螺纹 Thread | 型号 Type         |  |
|   | M25       | H16B-SE-2B-M25  |   |
|   | M32       | H16B-SE-2B-M32  |   |
|   | PG21      | H16B-SE-2B-PG21 |   |


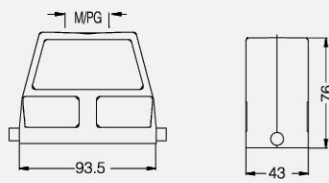
上壳 侧出线 高结构 Hoods, side entry, high construction

|   |                  |                  |   |
|---|------------------|------------------|---|
|  | 螺纹 Thread        | 型号 Type          |  |
|   | M32              | H16B-SEH-2B-M32  |   |
|   | M40              | H16B-SEH-2B-M40  |   |
|   | PG21             | H16B-SEH-2B-PG21 |   |
| PG29  | H16B-SEH-2B-PG29 |                  |   |


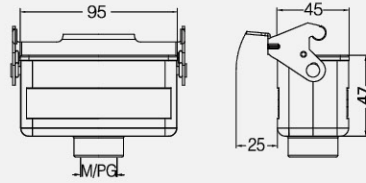
上壳 顶出线 Hoods, top entry

|  |           |                 |  |
|--|-----------|-----------------|--|
|  | 螺纹 Thread | 型号 Type         |  |
|  | M25       | H16B-TE-2B-M25  |  |
|  | M32       | H16B-TE-2B-M32  |  |
|  | PG21      | H16B-TE-2B-PG21 |  |


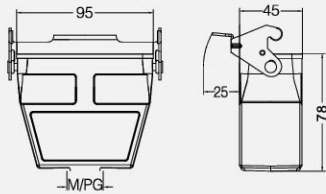
上壳 顶出线 高结构 Hoods, top entry, high construction

|   |                  |                  |   |
|---|------------------|------------------|---|
|  | 螺纹 Thread        | 型号 Type          |  |
|   | M32              | H16B-TEH-2B-M32  |   |
|   | M40              | H16B-TEH-2B-M40  |   |
|   | PG21             | H16B-TEH-2B-PG21 |   |
| PG29  | H16B-TEH-2B-PG29 |                  |   |

飞线下壳 Housings, cable to cable

|   |           |                  |   |
|---|-----------|------------------|---|
|  | 螺纹 Thread | 型号 Type          |  |
|   | M25       | H16B-CCT-1L-M25  |   |
|   | M32       | H16B-CCT-1L-M32  |   |
|   | PG21      | H16B-CCT-1L-PG21 |   |

飞线下壳 高结构 Housings, cable to cable, high construction

|   |                   |                   |   |
|---|-------------------|-------------------|---|
|  | 螺纹 Thread         | 型号 Type           |  |
|   | M32               | H16B-CCTH-1L-M32  |   |
|   | M40               | H16B-CCTH-1L-M40  |   |
|   | PG21              | H16B-CCTH-1L-PG21 |   |
| PG29  | H16B-CCTH-1L-PG29 |                   |   |

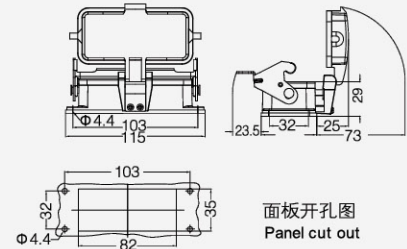
16B 金属外壳 Metal Hoods & Housings

防护等级 Degree of protection: IP65

不封底下壳 Housings, bulkhead mounting



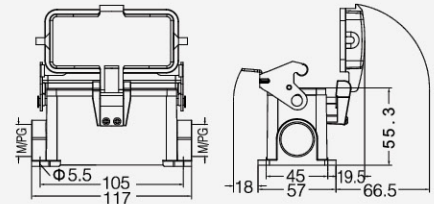
| 螺纹 Thread | 型号 Type                 |
|-----------|-------------------------|
| ---       | H16B-BK-1L              |
| ---       | 带塑料盖 With plastic cover |
| ---       | H16B-BK-1L-CV           |
| ---       | 带金属盖 With metal cover   |
| ---       | H16B-BK-1L-MCV          |



封底下壳 Housings, surface mounting



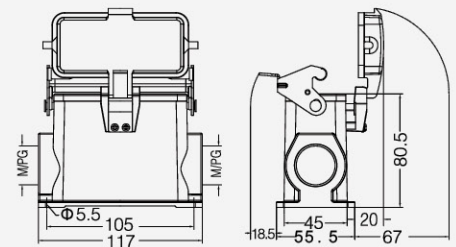
| 螺纹 Thread | 型号 Type                 |
|-----------|-------------------------|
| M25       | H16B-SF-1L-M25          |
| 2M25      | H16B-SF-1L-2M25         |
| PG21      | H16B-SF-1L-PG21         |
| 2PG21     | H16B-SF-1L-2PG21        |
|           | 带塑料盖 With plastic cover |
| M25       | H16B-SF-1L-CV-M25       |
| 2M25      | H16B-SF-1L-CV-2M25      |
| PG21      | H16B-SF-1L-CV-PG21      |
| 2PG21     | H16B-SF-1L-CV-2PG21     |
|           | 带金属盖 With metal cover   |
| M25       | H16B-SF-1L-MCV-M25      |
| 2M25      | H16B-SF-1L-MCV-2M25     |
| PG21      | H16B-SF-1L-MCV-PG21     |
| 2PG21     | H16B-SF-1L-MCV-2PG21    |



封底下壳 高结构 Housings, surface mounting, high construction



| 螺纹 Thread | 型号 Type                 |
|-----------|-------------------------|
| M32       | H16B-SFH-1L-M32         |
| 2M25      | H16B-SFH-1L-2M25        |
| 2M32      | H16B-SFH-1L-2M32        |
| PG21      | H16B-SFH-1L-PG21        |
| 2PG21     | H16B-SFH-1L-2PG21       |
| PG29      | H16B-SFH-1L-PG29        |
| 2PG29     | H16B-SFH-1L-2PG29       |
|           | 带塑料盖 With plastic cover |
| M32       | H16B-SFH-1L-CV-M32      |
| 2M32      | H16B-SFH-1L-CV-2M32     |
| PG21      | H16B-SFH-1L-CV-PG21     |
| 2PG21     | H16B-SFH-1L-CV-2PG21    |
| PG29      | H16B-SFH-1L-CV-PG29     |
| 2PG29     | H16B-SFH-1L-CV-2PG29    |
|           | 带金属盖 With metal cover   |
| M32       | H16B-SFH-1L-MCV-M32     |
| 2M32      | H16B-SFH-1L-MCV-2M32    |
| PG21      | H16B-SFH-1L-MCV-PG21    |
| 2PG21     | H16B-SFH-1L-MCV-2PG21   |
| PG29      | H16B-SFH-1L-MCV-PG29    |
| 2PG29     | H16B-SFH-1L-MCV-2PG29   |



16B 金属外壳 Metal Hoods & Housings

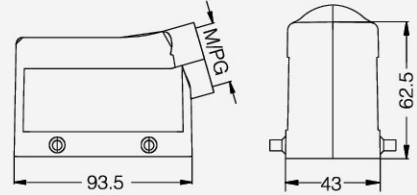
防护等级 Degree of protection: IP65

上壳 侧出线 Hoods, side entry



| 螺纹 Thread |
|-----------|
| M25       |
| M32       |
| PG21      |

| 型号 Type         |
|-----------------|
| H16B-SE-4B-M25  |
| H16B-SE-4B-M32  |
| H16B-SE-4B-PG21 |

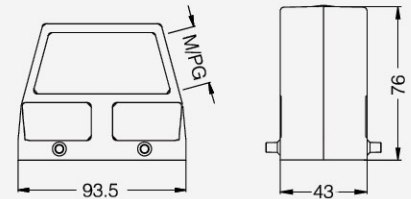


上壳 侧出线 高结构 Hoods, side entry, high construction



| 螺纹 Thread |
|-----------|
| M25       |
| M32       |
| M40       |
| PG21      |
| PG29      |

| 型号 Type          |
|------------------|
| H16B-SEH-4B-M25  |
| H16B-SEH-4B-M32  |
| H16B-SEH-4B-M40  |
| H16B-SEH-4B-PG21 |
| H16B-SEH-4B-PG29 |

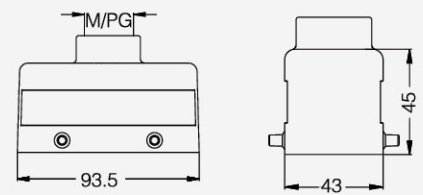


上壳 顶出线 Hoods, top entry



| 螺纹 Thread |
|-----------|
| M25       |
| M32       |
| PG21      |

| 型号 Type         |
|-----------------|
| H16B-TE-4B-M25  |
| H16B-TE-4B-M32  |
| H16B-TE-4B-PG21 |

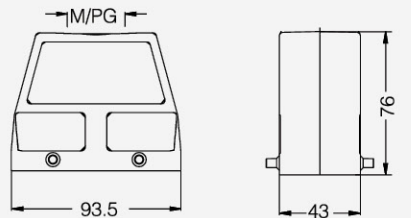


上壳 顶出线 高结构 Hoods, top entry, high construction



| 螺纹 Thread |
|-----------|
| M32       |
| M40       |
| PG21      |
| PG29      |
| 2M25      |
| 2PG16     |
| 2PG21     |

| 型号 Type           |
|-------------------|
| H16B-TEH-4B-M32   |
| H16B-TEH-4B-M40   |
| H16B-TEH-4B-PG21  |
| H16B-TEH-4B-PG29  |
| H16B-TEH-4B-2M25  |
| H16B-TEH-4B-2PG16 |
| H16B-TEH-4B-2PG21 |

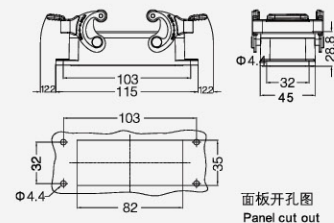


不封底下壳 Housings, bulkhead mounting



| 螺纹 Thread |
|-----------|
| ---       |

| 型号 Type    |
|------------|
| H16B-BK-2L |

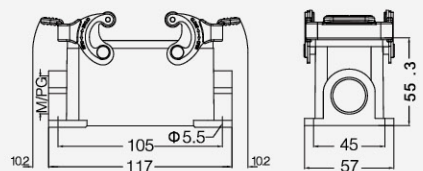


封底下壳 Housings, surface mounting



| 螺纹 Thread |
|-----------|
| M20       |
| 2M25      |
| PG21      |
| 2PG21     |

| 型号 Type          |
|------------------|
| H16B-SF-2L-M25   |
| H16B-SF-2L-2M25  |
| H16B-SF-2L-PG21  |
| H16B-SF-2L-2PG21 |




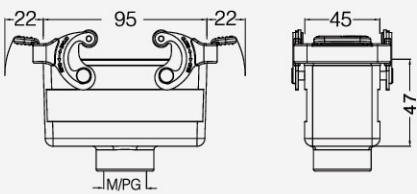
10B 金属外壳 Metal Hoods & Housings

防护等级 Degree of protection: IP65


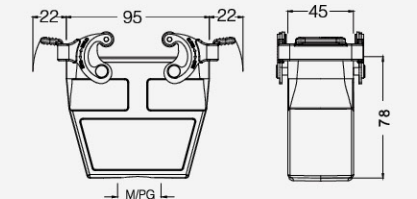
封底下壳 高结构 Housings, surface mounting, high construction

|   |                   |                   |   |
|---|-------------------|-------------------|---|
|  | 螺纹 Thread         | 型号 Type           |  |
|   | 2M25              | H16B-SFH-2L-2M25  |   |
|   | M32               | H16B-SFH-2L-M32   |   |
|   | 2M32              | H16B-SFH-2L-2M32  |   |
|   | 2M40              | H16B-SFH-2L-2M40  |   |
|   | PG21              | H16B-SFH-2L-PG21  |   |
|   | 2PG21             | H16B-SFH-2L-2PG21 |   |
| PG29  | H16B-SFH-2L-PG29  |                   |   |
| 2PG29   | H16B-SFH-2L-2PG29 |                   |   |


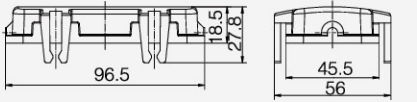

飞线下壳 Housings, cable to cable

|   |           |                  |   |
|---|-----------|------------------|---|
|  | 螺纹 Thread | 型号 Type          |  |
|   | M20       | H16B-CCT-2L-M25  |   |
|   | M32       | H16B-CCT-2L-M32  |   |
|   | PG21      | H16B-CCT-2L-PG21 |   |


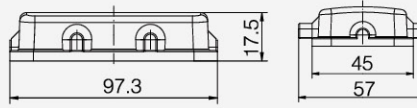


飞线下壳 高结构 Housings, cable to cable, high construction

|  |           |                   |  |
|--|-----------|-------------------|--|
|  | 螺纹 Thread | 型号 Type           |  |
|  | M25       | H16B-CCTH-2L-M25  |  |
|  | M32       | H16B-CCTH-2L-M32  |  |
|  | M40       | H16B-CCTH-2L-M40  |  |
|  | PG21      | H16B-CCTH-2L-PG21 |  |
|  | PG29      | H16B-CCTH-2L-PG29 |  |

塑料防护盖 4卡扣 Protection covers, plastic

|   |   |                 |            |   |
|---|---|-----------------|------------|---|
|  | 接线方式 Connect way  | 描述 Applications | 型号 Type    |  |
|   |  | 用于上壳 For hoods  | H16B-CV-4C |   |

塑料防护盖 Protection covers, plastic

|   |   |   |              |   |
|---|---|---|--------------|---|
|  | 接线方式 Connect way  | 描述 Applications   | 型号 Type      |  |
|   |  | 塑料盖 / 用于飞线下壳 For Housings, cable to cable                 | H16B-CV-4B/1 |   |
|   |  | 塑料盖 / 用于不封底, 封底下壳 For housing, bulkhead/ surface mounting | H16B-CV-4B/2 |   |
|   |   |   |              |   |

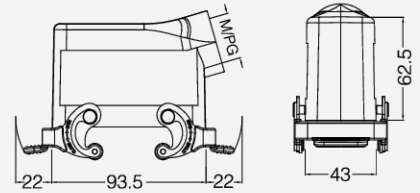
16B 金属外壳 Metal Hoods & Housings

防护等级 Degree of protection: IP65

上壳 侧出线 Hoods, side entry



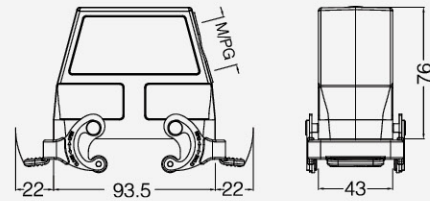
| 螺纹 Thread | 型号 Type         |
|-----------|-----------------|
| M25       | H16B-SE-2L-M25  |
| M32       | H16B-SE-2L-M32  |
| PG21      | H16B-SE-2L-PG21 |



上壳 侧出线 高结构 Hoods, side entry, high construction



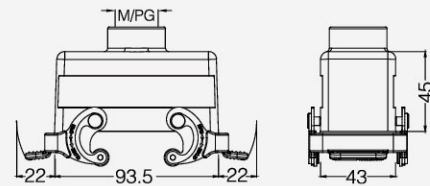
| 螺纹 Thread | 型号 Type          |
|-----------|------------------|
| M25       | H16B-SEH-2L-M25  |
| M32       | H16B-SEH-2L-M32  |
| M40       | H16B-SEH-2L-M40  |
| PG21      | H16B-SEH-2L-PG21 |
| PG29      | H16B-SEH-2L-PG29 |



上壳 顶出线 Hoods, top entry



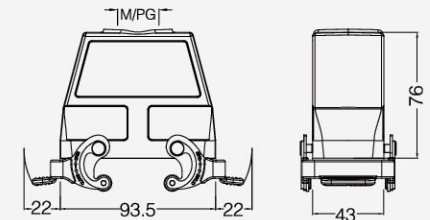
| 螺纹 Thread | 型号 Type         |
|-----------|-----------------|
| M25       | H16B-TE-2L-M25  |
| M32       | H16B-TE-2L-M32  |
| PG21      | H16B-TE-2L-PG21 |



上壳 顶出线 高结构 Hoods, top entry, high construction



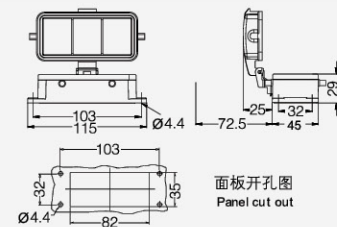
| 螺纹 Thread | 型号 Type          |
|-----------|------------------|
| M32       | H16B-TEH-2L-M32  |
| M40       | H16B-TEH-2L-M40  |
| PG21      | H16B-TEH-2L-PG21 |
| PG29      | H16B-TEH-2L-PG29 |



不封底下壳 Housings, bulkhead mounting



| 螺纹 Thread | 型号 Type                 |
|-----------|-------------------------|
| ---       | H16B-BK-4B              |
| ---       | 带塑料盖 With plastic cover |
| ---       | H16B-BK-4B-CV           |
| ---       | 带金属盖 With metal cover   |
| ---       | H16B-BK-4B-MCV          |



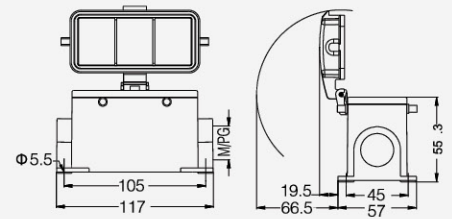
16B 金属外壳 Metal Hoods & Housings

防护等级 Degree of protection: IP65

封底下壳 Housings, surface mounting



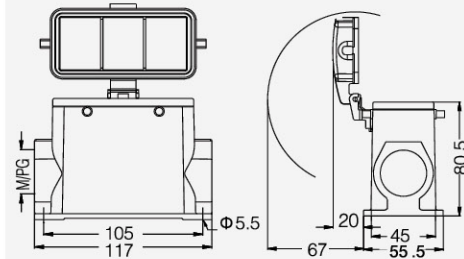
| 螺纹 Thread               | 型号 Type              |
|-------------------------|----------------------|
| M25                     | H16B-SF-4B-M25       |
| 2M25                    | H16B-SF-4B-2M25      |
| PG21                    | H16B-SF-4B-PG21      |
| 2PG21                   | H16B-SF-4B-2PG21     |
| 带塑料盖 With plastic cover |                      |
| M25                     | H16B-SF-4B-CV-M25    |
| 2M25                    | H16B-SF-4B-CV-2M25   |
| PG21                    | H16B-SF-4B-CV-PG21   |
| 2PG21                   | H16B-SF-4B-CV-2PG21  |
| 带金属盖 With metal cover   |                      |
| M25                     | H16B-SF-4B-MCV-M25   |
| 2M25                    | H16B-SF-4B-MCV-2M25  |
| PG21                    | H16B-SF-4B-MCV-PG21  |
| 2PG21                   | H16B-SF-4B-MCV-2PG21 |



封底下壳 高结构 Housings, surface mounting, high construction



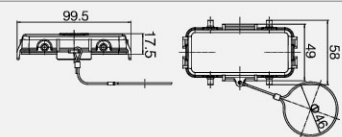
| 螺纹 Thread               | 型号 Type               |
|-------------------------|-----------------------|
| M25                     | H16B-SFH-4B-M32       |
| 2M32                    | H16B-SFH-4B-2M32      |
| PG21                    | H16B-SFH-4B-PG21      |
| 2PG21                   | H16B-SFH-4B-2PG21     |
| PG29                    | H16B-SFH-4B-PG29      |
| 2PG29                   | H16B-SFH-4B-2PG29     |
| 带塑料盖 With plastic cover |                       |
| M32                     | H16B-SFH-4B-CV-M32    |
| 2M32                    | H16B-SFH-4B-CV-2M32   |
| PG21                    | H16B-SFH-4B-CV-PG21   |
| 2PG21                   | H16B-SFH-4B-CV-2PG21  |
| PG29                    | H16B-SFH-4B-CV-PG29   |
| 2PG29                   | H16B-SFH-4B-CV-2PG29  |
| 带金属盖 With metal cover   |                       |
| M32                     | H16B-SFH-4B-MCV-M32   |
| 2M32                    | H16B-SFH-4B-MCV-2M32  |
| PG21                    | H16B-SFH-4B-MCV-PG21  |
| 2PG21                   | H16B-SFH-4B-MCV-2PG21 |
| PG29                    | H16B-SFH-4B-MCV-PG29  |
| 2PG29                   | H16B-SFH-4B-MCV-2PG29 |



防护盖 Protection covers, metal



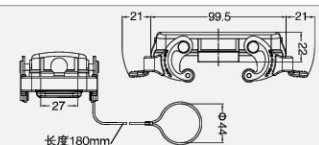
| 接线方式 Connect way  | 描述 Applications            | 型号 Type       |
|---|----------------------------|---------------|
|  | 金属盖 / 用于下壳<br>For housings | H16B-MCV-4B/1 |
|  | 金属盖 / 用于下壳<br>For housings | H16B-MCV-4B/2 |



防护盖 Protection covers, metal



| 接线方式 Connect way  | 描述 Applications            | 型号 Type        |
|---|----------------------------|----------------|
|  | 金属盖 / 用于下壳<br>For housings | H16B-MCV-2L.1S |
|  | 金属盖 / 用于下壳<br>For housings | H16B-MCV-2L.2S |


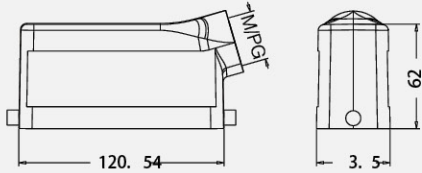





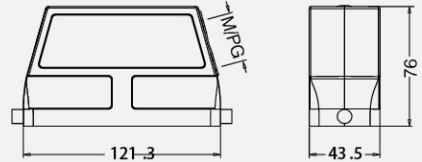
24B 金属外壳 Metal Hoods & Housings

防护等级 Degree of protection: IP65

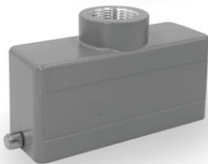
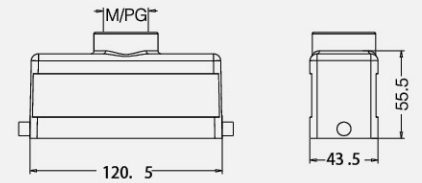
上壳 侧出线 Hoods, side entry

|   |           |                 |   |
|---|-----------|-----------------|---|
|  | 螺纹 Thread | 型号 Type         |  |
|   | M25       | H24B-SE-2B-M25  |   |
|   | M32       | H24B-SE-2B-M32  |   |
|   | PG21      | H24B-SE-2B-PG21 |   |


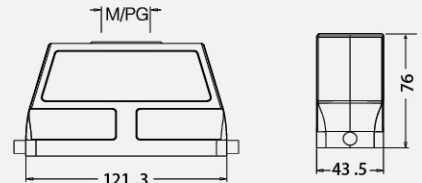
上壳 侧出线 高结构 Hoods, side entry, high construction

|   |                  |                  |   |
|---|------------------|------------------|---|
|  | 螺纹 Thread        | 型号 Type          |  |
|   | M25              | H24B-SEH-2B-M25  |   |
|   | M32              | H24B-SEH-2B-M32  |   |
|   | M40              | H24B-SEH-2B-M40  |   |
|   | PG21             | H24B-SEH-2B-PG21 |   |
|   | PG29             | H24B-SEH-2B-PG29 |   |
| PG36  | H24B-SEH-2B-PG36 |                  |   |


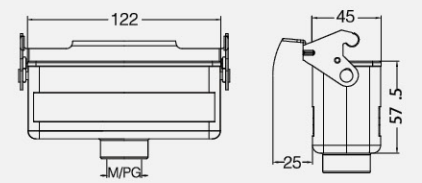
上壳 顶出线 Hoods, top entry

|  |                 |                 |  |
|--|-----------------|-----------------|--|
|  | 螺纹 Thread       | 型号 Type         |  |
|  | M25             | H24B-TE-2B-M25  |  |
|  | M32             | H24B-TE-2B-M32  |  |
|  | PG21            | H24B-TE-2B-PG21 |  |
| PG29   | H24B-TE-2B-PG29 |                 |  |


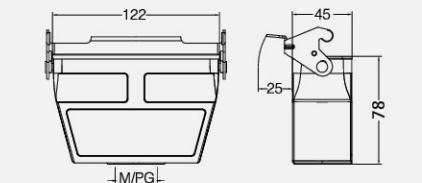
上壳 顶出线 高结构 Hoods, top entry, high construction

|   |           |                  |   |
|---|-----------|------------------|---|
|  | 螺纹 Thread | 型号 Type          |  |
|   | M32       | H24B-TEH-2B-M32  |   |
|   | M40       | H24B-TEH-2B-M40  |   |
|   | PG21      | H24B-TEH-2B-PG21 |   |
|   | PG29      | H24B-TEH-2B-PG29 |   |
|   | PG36      | H24B-TEH-2B-PG36 |   |

飞线下壳 Housings, cable to cable

|   |                  |                  |   |
|---|------------------|------------------|---|
|  | 螺纹 Thread        | 型号 Type          |  |
|   | M25              | H24B-CCT-1L-M25  |   |
|   | M32              | H24B-CCT-1L-M32  |   |
|   | PG21             | H24B-CCT-1L-PG21 |   |
| PG29  | H24B-CCT-1L-PG29 |                  |   |

飞线下壳 高结构 Housings, cable to cable, high construction

|   |           |                   |   |
|---|-----------|-------------------|---|
|  | 螺纹 Thread | 型号 Type           |  |
|   | M32       | H24B-CCTH-1L-M32  |   |
|   | M40       | H24B-CCTH-1L-M40  |   |
|   | PG21      | H24B-CCTH-1L-PG21 |   |
|   | PG29      | H24B-CCTH-1L-PG29 |   |

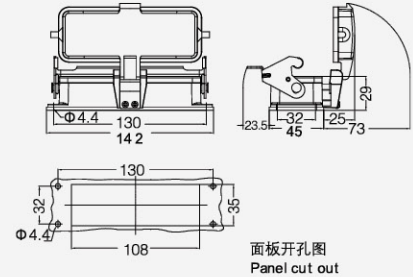
24B 金属外壳 Metal Hoods & Housings

防护等级 Degree of protection: IP65

不封底下壳 Housings, bulkhead mounting



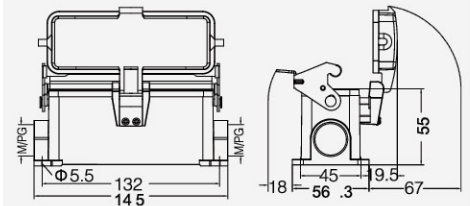
| 螺纹 Thread | 型号 Type                 |
|-----------|-------------------------|
| ---       | H24B-BK-1L              |
| ---       | 带塑料盖 With plastic cover |
| ---       | H24B-BK-1L-CV           |
| ---       | 带金属盖 With metal cover   |
| ---       | H24B-BK-1L-MCV          |



封底下壳 Housings, surface mounting



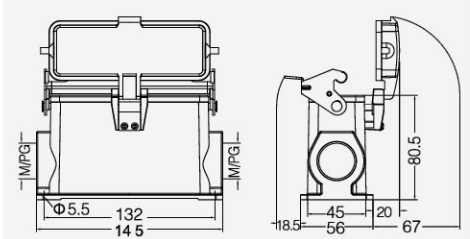
| 螺纹 Thread | 型号 Type                 |
|-----------|-------------------------|
| M25       | H24B-SF-1L-M25          |
| 2M25      | H24B-SF-1L-2M25         |
| PG21      | H24B-SF-1L-PG21         |
| 2PG21     | H24B-SF-1L-2PG21        |
|           | 带塑料盖 With plastic cover |
| M25       | H24B-SF-1L-CV-M25       |
| 2M25      | H24B-SF-1L-CV-2M25      |
| PG21      | H24B-SF-1L-CV-PG21      |
| 2PG21     | H24B-SF-1L-CV-2PG21     |
|           | 带金属盖 With metal cover   |
| M25       | H24B-SF-1L-MCV-M25      |
| 2M25      | H24B-SF-1L-MCV-2M25     |
| PG21      | H24B-SF-1L-MCV-PG21     |
| 2PG21     | H24B-SF-1L-MCV-2PG21    |



封底下壳 高结构 Housings, surface mounting, high construction



| 螺纹 Thread | 型号 Type                 |
|-----------|-------------------------|
| M25       | H24B-SFH-1L-M32         |
| 2M25      | H24B-SFH-1L-2M32        |
| M40       | H24B-SFH-1L-M40         |
| 2M40      | H24B-SFH-1L-2M40        |
| PG21      | H24B-SFH-1L-PG21        |
| 2PG21     | H24B-SFH-1L-2PG21       |
| PG29      | H24B-SFH-1L-PG29        |
| 2PG29     | H24B-SFH-1L-2PG29       |
|           | 带塑料盖 With plastic cover |
| M32       | H24B-SFH-1L-CV-M32      |
| 2M32      | H24B-SFH-1L-CV-2M32     |
| PG21      | H24B-SFH-1L-CV-PG21     |
| 2PG21     | H24B-SFH-1L-CV-2PG21    |
| PG29      | H24B-SFH-1L-CV-PG29     |
| 2PG29     | H24B-SFH-1L-CV-2PG29    |
|           | 带金属盖 With metal cover   |
| M32       | H24B-SFH-1L-MCV-M32     |
| 2M32      | H24B-SFH-1L-MCV-2M32    |
| PG21      | H24B-SFH-1L-MCV-PG21    |
| 2PG21     | H24B-SFH-1L-MCV-2PG21   |
| PG29      | H24B-SFH-1L-MCV-PG29    |
| 2PG29     | H24B-SFH-1L-MCV-2PG29   |





24B 金属外壳 Metal Hoods & Housings

防护等级 Degree of protection: IP65


封底下壳 高结构 Housings, surface mounting, high construction



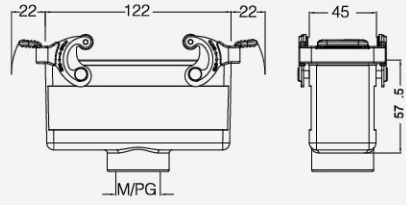
| 螺纹 Thread | 型号 Type           |
|-----------|-------------------|
| M32       | H24B-SFH-2L-M32   |
| 2M32      | H24B-SFH-2L-2M32  |
| M40       | H24B-SFH-2L-M40   |
| 2M40      | H24B-SFH-2L-2M40  |
| PG21      | H24B-SFH-2L-PG21  |
| 2PG21     | H24B-SFH-2L-2PG21 |
| PG29      | H24B-SFH-2L-PG29  |
| 2PG29     | H24B-SFH-2L-2PG29 |




飞线下壳 Housings, cable to cable



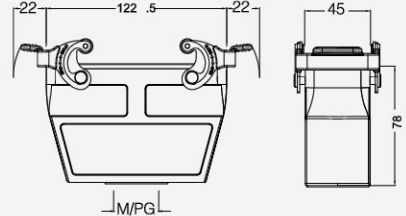
| 螺纹 Thread | 型号 Type          |
|-----------|------------------|
| M25       | H24B-CCT-2L-M25  |
| M32       | H24B-CCT-2L-M32  |
| PG21      | H24B-CCT-2L-PG21 |
| PG29      | H24B-CCT-2L-PG29 |



飞线下壳 高结构 Housings, cable to cable, high construction



| 螺纹 Thread | 型号 Type           |
|-----------|-------------------|
| M32       | H24B-CCTH-2L-M32  |
| M40       | H24B-CCTH-2L-M40  |
| PG21      | H24B-CCTH-2L-PG21 |
| PG29      | H24B-CCTH-2L-PG29 |




塑料防护盖 4卡扣 Protection covers, plastic





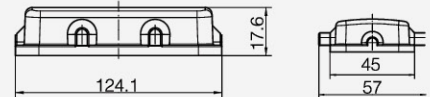
| 接线方式 Connect way  | 描述 Applications   | 型号 Type    |
|---|-------------------|------------|
|  | 用于上壳<br>For hoods | H24B-CV-4C |



塑料防护盖 Protection covers, plastic




| 接线方式 Connect way  | 描述 Applications   | 型号 Type      |
|---|---|--------------|
|  | 塑料盖 / 用于飞线下壳<br>For Housings, cable to cable                  | H24B-CV-4B/1 |
|  | 塑料盖 / 用于不封底, 封底下壳<br>For housing, bulkhead / surface mounting | H24B-CV-4B/2 |



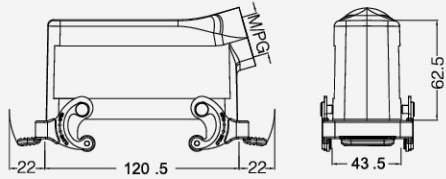
24B 金属外壳 Metal Hoods & Housings

防护等级 Degree of protection: IP65


上壳 侧出线 Hoods, side entry



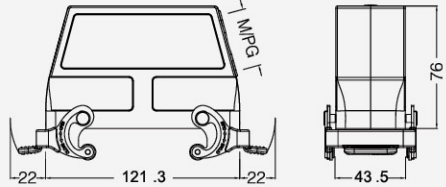
| 螺纹 Thread | 型号 Type         |
|-----------|-----------------|
| M25       | H24B-SE-2L-M25  |
| M32       | H24B-SE-2L-M32  |
| PG21      | H24B-SE-2L-PG21 |




上壳 侧出线 高结构 Hoods, side entry, high construction



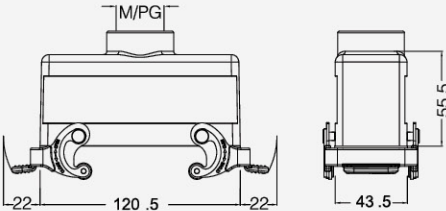
| 螺纹 Thread | 型号 Type          |
|-----------|------------------|
| M32       | H24B-SEH-2L-M32  |
| M40       | H24B-SEH-2L-M40  |
| PG21      | H24B-SEH-2L-PG21 |
| PG29      | H24B-SEH-2L-PG29 |



上壳 顶出线 Hoods, top entry



| 螺纹 Thread | 型号 Type         |
|-----------|-----------------|
| M25       | H24B-TE-2L-M25  |
| M32       | H24B-TE-2L-M32  |
| PG21      | H24B-TE-2L-PG21 |
| PG29      | H24B-TE-2L-PG29 |




上壳 顶出线 高结构 Hoods, top entry, high construction



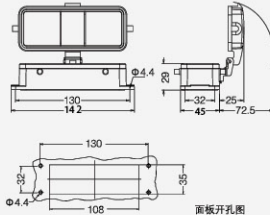
| 螺纹 Thread | 型号 Type          |
|-----------|------------------|
| M32       | H24B-TEH-2L-M32  |
| M40       | H24B-TEH-2L-M40  |
| PG21      | H24B-TEH-2L-PG21 |
| PG29      | H24B-TEH-2L-PG29 |



不封底下壳 Housings, bulkhead mounting



| 螺纹 Thread | 型号 Type                                  |
|-----------|--|
| ---       | H24B-BK-4B                               |
| ---       | 带塑料盖 With plastic cover<br>H24B-BK-4B-CV |
| ---       | 带金属盖 With metal cover<br>H24B-BK-4B-MCV  |



面板开孔图  
Panel cut out

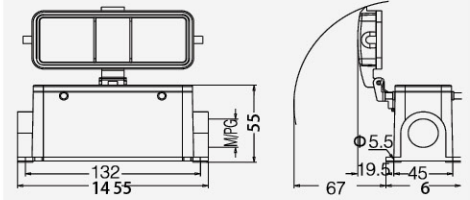
24B 金属外壳 Metal Hoods & Housings

防护等级 Degree of protection: IP65

封底下壳 Housings, surface mounting



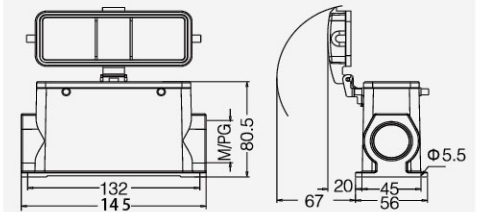
| 螺纹 Thread               | 型号 Type              |
|-------------------------|----------------------|
| M25                     | H24B-SF-4B-M25       |
| 2M25                    | H24B-SF-4B-2M25      |
| PG21                    | H24B-SF-4B-PG21      |
| 2PG21                   | H24B-SF-4B-2PG21     |
| 带塑料盖 With plastic cover |                      |
| M25                     | H24B-SF-4B-CV-M25    |
| 2M25                    | H24B-SF-4B-CV-2M25   |
| PG21                    | H24B-SF-4B-CV-PG21   |
| 2PG21                   | H24B-SF-4B-CV-2PG21  |
| 带金属盖 With metal cover   |                      |
| M25                     | H24B-SF-4B-MCV-M25   |
| 2M25                    | H24B-SF-4B-MCV-2M25  |
| PG21                    | H24B-SF-4B-MCV-PG21  |
| 2PG21                   | H24B-SF-4B-MCV-2PG21 |



封底下壳 高结构 Housings, surface mounting, high construction



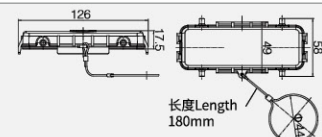
| 螺纹 Thread               | 型号 Type               |
|-------------------------|-----------------------|
| M32                     | H24B-SFH-4B-M32       |
| 2M32                    | H24B-SFH-4B-2M32      |
| 2M40                    | H24B-SFH-4B-2M40      |
| PG21                    | H24B-SFH-4B-PG21      |
| 2PG21                   | H24B-SFH-4B-2PG21     |
| PG29                    | H24B-SFH-4B-PG29      |
| 2PG29                   | H24B-SFH-4B-2PG29     |
| 带塑料盖 With plastic cover |                       |
| M32                     | H24B-SFH-4B-CV-M32    |
| 2M32                    | H24B-SFH-4B-CV-2M32   |
| 2M40                    | H24B-SFH-4B-CV-2M40   |
| PG21                    | H24B-SFH-4B-CV-PG21   |
| 2PG21                   | H24B-SFH-4B-CV-2PG21  |
| PG29                    | H24B-SFH-4B-CV-PG29   |
| 2PG29                   | H24B-SFH-4B-CV-2PG29  |
| 带金属盖 With metal cover   |                       |
| M32                     | H24B-SFH-4B-MCV-M32   |
| 2M32                    | H24B-SFH-4B-MCV-2M32  |
| 2M40                    | H24B-SFH-4B-MCV-2M40  |
| PG21                    | H24B-SFH-4B-MCV-PG21  |
| 2PG21                   | H24B-SFH-4B-MCV-2PG21 |
| PG29                    | H24B-SFH-4B-MCV-PG29  |
| 2PG29                   | H24B-SFH-4B-MCV-2PG29 |



防护盖 Protection covers, metal



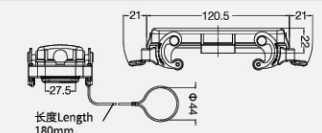
| 接线方式 Connect way  | 描述 Applications              | 型号 Type       |
|---|------------------------------|---------------|
|  | 防护金属盖 / 用于上壳<br>For housings | H24B-MCV-4B/1 |
|  | 防护金属盖 / 用于上壳<br>For housings | H24B-MCV-4B/2 |



防护盖 Protection covers, metal



| 接线方式 Connect way  | 描述 Applications              | 型号 Type        |
|---|------------------------------|----------------|
|  | 防护金属盖 / 用于上壳<br>For housings | H24B-MCV-2L.1S |
|  | 防护金属盖 / 用于上壳<br>For housings | H24B-MCV-2L.2S |



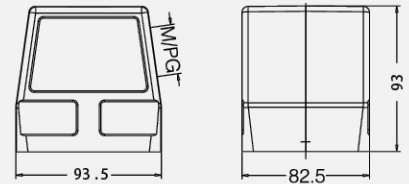
32B 金属外壳 Metal Hoods & Housings

防护等级 Degree of protection: IP65

上壳 侧出线 Hoods, side entry



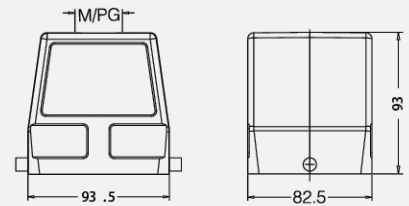
| 螺纹 Thread | 型号 Type         |
|-----------|-----------------|
| M32       | H32B-SE-2B-M32  |
| M40       | H32B-SE-2B-M40  |
| M50       | H32B-SE-2B-M50  |
| PG29      | H32B-SE-2B-PG29 |
| PG36      | H32B-SE-2B-PG36 |
| PG42      | H32B-SE-2B-PG42 |



上壳 顶出线 Hoods, top entry



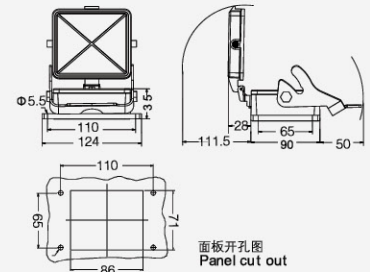
| 螺纹 Thread | 型号 Type         |
|-----------|-----------------|
| M32       | H32B-TE-2B-M32  |
| M40       | H32B-TE-2B-M40  |
| M50       | H32B-TE-2B-M50  |
| PG29      | H32B-TE-2B-PG29 |
| PG36      | H32B-TE-2B-PG36 |
| PG42      | H32B-TE-2B-PG42 |



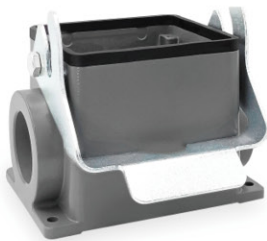
不封底下壳 Housings, bulkhead mounting



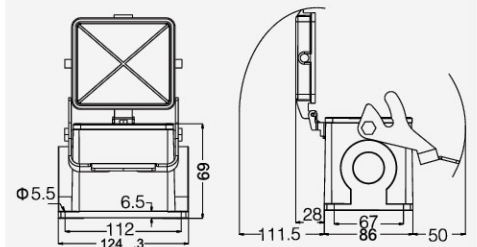
| 螺纹 Thread | 型号 Type                 |
|-----------|-------------------------|
| ---       | H32B-BK-1L              |
| ---       | 带塑料盖 With plastic cover |
| ---       | H32B-BK-1L-CV           |
| ---       | 带金属盖 With metal cover   |
| ---       | H32B-BK-1L-MCV          |



封底下壳 Housings, surface mounting



| 螺纹 Thread | 型号 Type                 |
|-----------|-------------------------|
| M32       | H32B-SF-1L-M32          |
| 2M32      | H32B-SF-1L-2M32         |
| M40       | H32B-SF-1L-M40          |
| 2M40      | H32B-SF-1L-2M40         |
| M50       | H32B-SF-1L-M50          |
| PG29      | H32B-SF-1L-PG29         |
| 2PG29     | H32B-SF-1L-2PG29        |
| PG36      | H32B-SF-1L-PG36         |
| 2PG36     | H32B-SF-1L-2PG36        |
| ---       | 带塑料盖 With plastic cover |
| M32       | H32B-SF-1L-CV-M32       |
| 2M32      | H32B-SF-1L-CV-2M32      |
| M40       | H32B-SF-1L-CV-M40       |
| 2M40      | H32B-SF-1L-CV-2M40      |
| PG29      | H32B-SF-1L-CV-PG29      |
| 2PG29     | H32B-SF-1L-CV-2PG29     |
| PG36      | H32B-SF-1L-CV-PG36      |
| 2PG36     | H32B-SF-1L-CV-2PG36     |
| ---       | 带金属盖 With metal cover   |
| M32       | H32B-SF-1L-MCV-M32      |
| 2M32      | H32B-SF-1L-MCV-2M32     |
| M40       | H32B-SF-1L-MCV-M40      |
| 2M40      | H32B-SF-1L-MCV-2M40     |
| PG29      | H32B-SF-1L-MCV-PG29     |
| 2PG29     | H32B-SF-1L-MCV-2PG29    |
| PG36      | H32B-SF-1L-MCV-PG36     |
| 2PG36     | H32B-SF-1L-MCV-2PG36    |



32B 金属外壳 Metal Hoods & Housings

防护等级 Degree of protection: IP65

上壳侧出线 Hoods, side entry

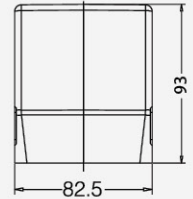
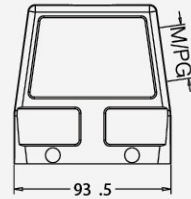


螺纹 Thread

M32  
M40  
PG21  
PG29  
2M25  
2PG16  
2PG21

型号 Type

H16B-TEH-4B-M32  
H16B-TEH-4B-M40  
H16B-TEH-4B-PG21  
H16B-TEH-4B-PG29  
H16B-TEH-4B-2M25  
H16B-TEH-4B-2PG16  
H16B-TEH-4B-2PG21



上壳顶出线 Hoods, top entry

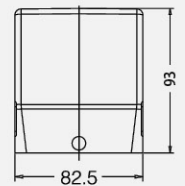
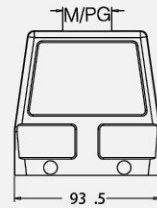


螺纹 Thread

M32  
M40  
M50  
PG29  
PG36  
PG42

型号 Type

H32B-SE-2B-M32  
H32B-SE-2B-M40  
H32B-SE-2B-M50  
H32B-SE-2B-PG29  
H32B-SE-2B-PG36  
H32B-SE-2B-PG42



不封底下壳 Housings, bulkhead mounting

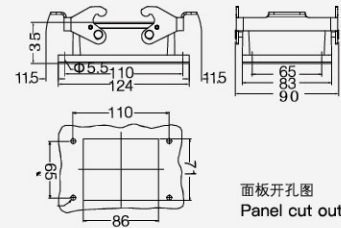


螺纹 Thread

---

型号 Type

H10B-BK-2L



封底下壳 Housings, surface mounting

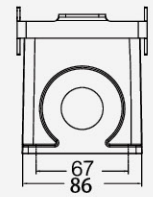
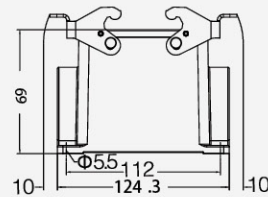


螺纹 Thread

M32  
2M32  
M40  
2M40  
M50  
PG29  
2PG29  
PG36  
2PG36  
PG42  
2PG42

型号 Type

H32B-SF-2L-M32  
H32B-SF-2L-2M32  
H32B-SF-2L-M40  
H32B-SF-2L-2M40  
H32B-SF-2L-M50  
H32B-SF-2L-PG29  
H32B-SF-2L-2PG29  
H32B-SF-2L-PG36  
H32B-SF-2L-2PG36  
H32B-SF-2L-PG42  
H32B-SF-2L-2PG42



飞线下壳 Housings, cable to cable

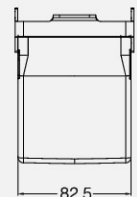
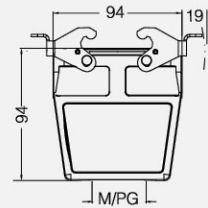


螺纹 Thread

M32  
M40  
M50  
PG29  
PG36  
PG42

型号 Type

H32B-CCT-2L-M32  
H32B-CCT-2L-M40  
H32B-CCT-2L-M50  
H32B-CCT-2L-PG29  
H32B-CCT-2L-PG36  
H32B-CCT-2L-PG42



防护盖 Protection covers, metal

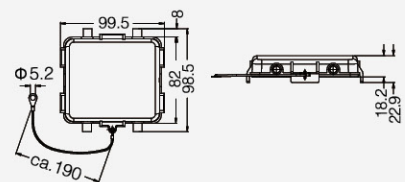


螺纹 Thread

---

型号 Type

H32B-MCV-4B/2

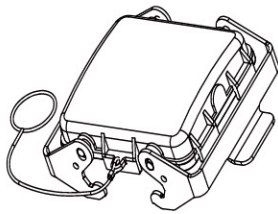




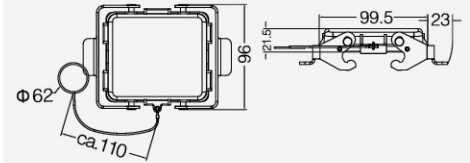
32B 金属外壳 Metal Hoods & Housings

防护等级 Degree of protection: IP65

防护盖 Protection covers, metal



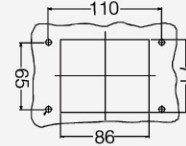
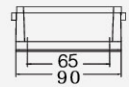
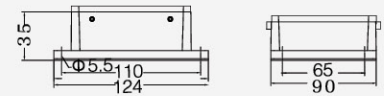
| 螺纹 Thread | 型号 Type        |
|-----------|----------------|
| ---       | H32B-MCV-2L-1S |



不封底下壳 Housings, bulkhead mounting



| 螺纹 Thread | 型号 Type                                  |
|-----------|--|
| ---       | H32B-BK-4B                               |
| ---       | 带塑料盖 With plastic cover<br>H32B-BK-4B-CV |
| ---       | 带金属盖 With metal cover<br>H32B-BK-4B-MCV  |

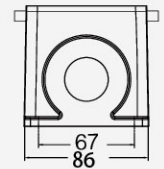
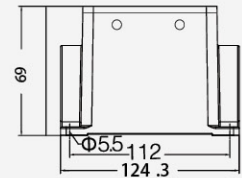


面板开孔图  
Panel cut out

封底下壳 Housings, surface mounting



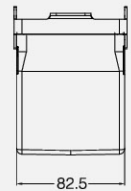
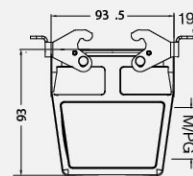
| 螺纹 Thread | 型号 Type          |
|-----------|------------------|
| M32       | H32B-SF-4B-M32   |
| 2M32      | H32B-SF-4B-2M32  |
| M40       | H32B-SF-4B-M40   |
| 2M40      | H32B-SF-4B-2M40  |
| PG29      | H32B-SF-4B-PG29  |
| 2PG29     | H32B-SF-4B-2PG29 |
| PG36      | H32B-SF-4B-PG36  |
| 2PG36     | H32B-SF-4B-2PG36 |
| PG42      | H32B-SF-4B-PG42  |



上壳 侧出线 Hoods, side entry



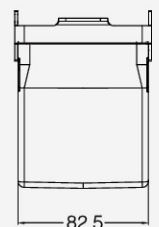
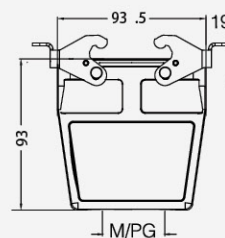
| 螺纹 Thread | 型号 Type         |
|-----------|-----------------|
| M32       | H32B-SE-2L-M32  |
| PG29      | H32B-SE-2L-PG29 |



上壳 侧出线 Hoods, side entry



| 螺纹 Thread | 型号 Type         |
|-----------|-----------------|
| M32       | H32B-TE-2L-M32  |
| M40       | H32B-TE-2L-M40  |
| M50       | H32B-TE-2L-M50  |
| PG29      | H32B-TE-2L-PG29 |
| PG36      | H32B-TE-2L-PG36 |
| PG42      | H32B-TE-2L-PG42 |



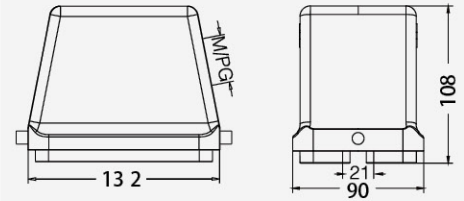
48B 金属外壳 Metal Hoods & Housings

防护等级 Degree of protection: IP65

上壳 侧出线 Hoods, side entry



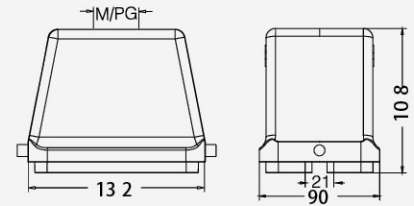
| 螺纹 Thread | 型号 Type         |
|-----------|-----------------|
| M32       | H48B-SE-2B-M32  |
| M40       | H48B-SE-2B-M40  |
| M50       | H48B-SE-2B-M50  |
| PG29      | H48B-SE-2B-PG29 |
| PG36      | H48B-SE-2B-PG36 |
| PG42      | H48B-SE-2B-PG42 |



上壳 顶出线 Hoods, top entry



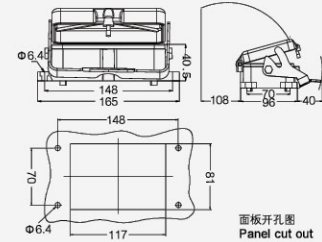
| 螺纹 Thread | 型号 Type         |
|-----------|-----------------|
| M32       | H48B-TE-2B-M32  |
| M40       | H48B-TE-2B-M40  |
| M50       | H48B-TE-2B-M50  |
| PG29      | H48B-TE-2B-PG29 |
| PG36      | H48B-TE-2B-PG36 |
| PG42      | H48B-TE-2B-PG42 |



不封底下壳 Housings, bulkhead mounting



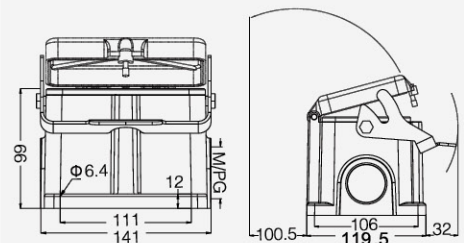
| 螺纹 Thread | 型号 Type                 |
|-----------|-------------------------|
| ---       | H48B-BK-1L              |
| ---       | 带塑料盖 With plastic cover |
| ---       | H48B-BK-1L-CV           |
| ---       | 带金属盖 With metal cover   |
| ---       | H48B-BK-1L-MCV          |



封底下壳 Housings, surface mounting



| 螺纹 Thread | 型号 Type                 |
|-----------|-------------------------|
| M32       | H48B-SF-1L-M32          |
| 2M32      | H48B-SF-1L-2M32         |
| M40       | H48B-SF-1L-M40          |
| 2M40      | H48B-SF-1L-2M40         |
| M50       | H48B-SF-1L-M50          |
| 2M50      | H48B-SF-1L-2M50         |
| PG29      | H48B-SF-1L-PG29         |
| 2PG29     | H48B-SF-1L-2PG29        |
| PG36      | H48B-SF-1L-PG36         |
| 2PG36     | H48B-SF-1L-2PG36        |
| ---       | 带塑料盖 With plastic cover |
| M32       | H48B-SF-1L-CV-M32       |
| 2M32      | H48B-SF-1L-CV-2M32      |
| M40       | H48B-SF-1L-CV-M40       |
| 2M40      | H48B-SF-1L-CV-2M40      |
| PG29      | H48B-SF-1L-CV-PG29      |
| 2PG29     | H48B-SF-1L-CV-2PG29     |
| PG36      | H48B-SF-1L-CV-PG36      |
| 2PG36     | H48B-SF-1L-CV-2PG36     |
| ---       | 带金属盖 With metal cover   |
| M32       | H48B-SF-1L-MCV-M32      |
| 2M32      | H48B-SF-1L-MCV-2M32     |
| M40       | H48B-SF-1L-MCV-M40      |
| 2M40      | H48B-SF-1L-MCV-2M40     |
| PG29      | H48B-SF-1L-MCV-PG29     |
| 2PG29     | H48B-SF-1L-MCV-2PG29    |
| PG36      | H48B-SF-1L-MCV-PG36     |
| 2PG36     | H48B-SF-1L-MCV-2PG36    |



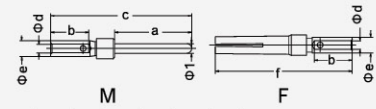
冷插针部分 / Cold Pin Part

CE ROHS REACH

5A 冷压接插针 (适用于 HM, EMC-008, D-SUB, 插芯)  
5A Crimp contacts (for HM, EMC-008, D-SUB, inserts)

接触电阻 ≤ 3Ω Contact resistance ≤ 3mΩ

|                     | 公 Male    | 母 Female  |
|---------------------|-----------|-----------|
| 镀银<br>silver plated | CSSM-0.25 | CSSF-0.25 |
|                     | CSSM-0.33 | CSSF-0.33 |
|                     | CSSM-0.52 | CSSF-0.52 |
|                     | CSSM-0.82 | CSSF-0.82 |
| 镀金<br>gold plated   | CSGM-0.25 | CSGF-0.25 |
|                     | CSGM-0.33 | CSGF-0.33 |
|                     | CSGM-0.52 | CSGF-0.52 |
|                     | CSGM-0.82 | CSGF-0.82 |



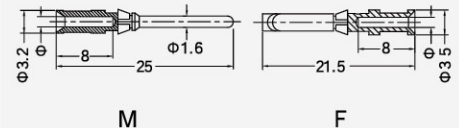
| a    | b   | c    | d    | e    | f    |
|------|-----|------|------|------|------|
| 8.23 | 4.2 | 14.0 | 1.35 | 1.75 | 13.6 |
| 8.10 | 4.0 | 14.8 | 1.12 | 1.66 | 14.4 |
| 8.10 | 4.0 | 14.8 | 0.90 | 1.66 | 14.4 |
| 8.10 | 4.0 | 14.8 | 0.64 | 1.66 | 14.4 |

| 线规 Wire gauge                       | 剥线长度 Stripping length |
|-------------------------------------|-----------------------|
| 0.09-0.25 mm <sup>2</sup> AWG 28-24 | 5 mm                  |
| 0.13-0.33 mm <sup>2</sup> AWG 26-22 | 5 mm                  |
| 0.33-0.52 mm <sup>2</sup> AWG 22-20 | 5 mm                  |
| 0.33-0.82 mm <sup>2</sup> AWG 22-18 | 5 mm                  |

10A 冷压接插针 (适用于 HD, HDD, HM, HK, HQ 插芯)  
10A Crimp contacts (for HD, HDD, HM, HK, HQ inserts)

接触电阻 ≤ 3mΩ Contact resistance ≤ 3mΩ

|                     | 公 Male    | 母 Female  |
|---------------------|-----------|-----------|
| 镀银<br>silver plated | CDSM-0.37 | CDSF-0.37 |
|                     | CDSM-0.5  | CDSF-0.5  |
|                     | CDSM-0.75 | CDSF-0.75 |
|                     | CDSM-1.0  | CDSF-1.0  |
|                     | CDSM-1.5  | CDSF-1.5  |
|                     | CDSM-2.5  | CDSF-2.5  |
| 镀金<br>gold plated   | CDGM-0.37 | CDGF-0.37 |
|                     | CDGM-0.5  | CDGF-0.5  |
|                     | CDGM-0.75 | CDGF-0.75 |
|                     | CDGM-1.0  | CDGF-1.0  |
|                     | CDGM-1.5  | CDGF-1.5  |
|                     | CDGM-2.5  | CDGF-2.5  |

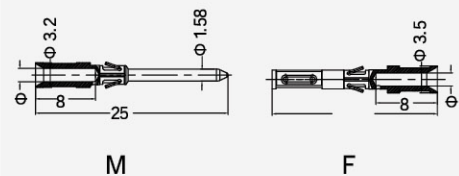


| 线规 Wire gauge                      | Φ    | 剥线长度 Stripping length |
|------------------------------------|------|-----------------------|
| 0.14-0.37mm <sup>2</sup> AWG 26-22 | 0.9  | 8 mm                  |
| 0.5 mm <sup>2</sup> AWG 20         | 1.1  | 8 mm                  |
| 0.75 mm <sup>2</sup> AWG 18        | 1.3  | 8 mm                  |
| 1 mm <sup>2</sup> AWG 18           | 1.45 | 8 mm                  |
| 1.5 mm <sup>2</sup> AWG 16         | 1.75 | 8 mm                  |
| 2.5 mm <sup>2</sup> AWG 14         | 2.25 | 6 mm                  |

10A 压簧冷压接插针, 带两爪支撑 (适用于 HD, HDD, HM, HK, HQ 插芯)  
10A take two claws support (for HD, HDD, HM, HK, HQ inserts)

接触电阻 ≤ 3mΩ Contact resistance ≤ 3mΩ

|                     | 公 Male     | 母 Female   |
|---------------------|------------|------------|
| 镀银<br>silver plated | CDSM-0.37B | CDSF-0.37B |
|                     | CDSM-0.5B  | CDSF-0.5B  |
|                     | CDSM-0.75B | CDSF-0.75B |
|                     | CDSM-1.0B  | CDSF-1.0B  |
|                     | CDSM-1.5B  | CDSF-1.5B  |
|                     | CDSM-2.5B  | CDSF-2.5B  |
| 镀金<br>gold plated   | CDGM-0.37B | CDGF-0.37B |
|                     | CDGM-0.5B  | CDGF-0.5B  |
|                     | CDGM-0.75B | CDGF-0.75B |
|                     | CDGM-1.0B  | CDGF-1.0B  |
|                     | CDGM-1.5B  | CDGF-1.5B  |
|                     | CDGM-2.5B  | CDGF-2.5B  |

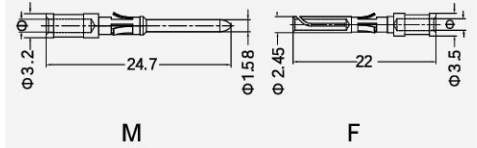


| 线规 Wire gauge                       | Φ    | 剥线长度 Stripping length |
|-------------------------------------|------|-----------------------|
| 0.14-0.37 mm <sup>2</sup> AWG 26-22 | 0.9  | 8 mm                  |
| 0.5 mm <sup>2</sup> AWG 20          | 1.1  | 8 mm                  |
| 0.75 mm <sup>2</sup> AWG 18         | 1.3  | 8 mm                  |
| 1 mm <sup>2</sup> AWG 18            | 1.45 | 8 mm                  |
| 1.5 mm <sup>2</sup> AWG 16          | 1.75 | 8 mm                  |
| 2.5 mm <sup>2</sup> AWG 14          | 2.25 | 6 mm                  |

10A 冷压接插针 (适用于 HD,HDD,HM,HK,HQ 插芯)  
10A Crimp contacts (for HD,HDD,HM,HK,HQ inserts)

接触电阻 ≤ 3mΩ Contact resistance ≤ 3mΩ

|                     | 公 Male    | 母 Female  |
|---------------------|-----------|-----------|
| 镀银<br>silver plated | CDSM-0.37 | CDSF-0.37 |
|                     | CDSM-0.5  | CDSF-0.5  |
|                     | CDSM-0.75 | CDSF-0.75 |
|                     | CDSM-1.0  | CDSF-1.0  |
|                     | CDSM-1.5  | CDSF-1.5  |
|                     | CDSM-2.5  | CDSF-2.5  |
| 镀金<br>gold plated   | CDGM-0.37 | CDGF-0.37 |
|                     | CDGM-0.5  | CDGF-0.5  |
|                     | CDGM-0.75 | CDGF-0.75 |
|                     | CDGM-1.0  | CDGF-1.0  |
|                     | CDGM-1.5  | CDGF-1.5  |
|                     | CDGM-2.5  | CDGF-2.5  |

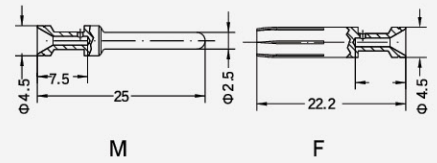


| 线规 Wire gauge             | Φ         | 剥线长度 Stripping length |
|---------------------------|-----------|-----------------------|
| 0.14-0.37 mm <sup>2</sup> | AWG 26-22 | 0.9                   |
| 0.5 mm <sup>2</sup>       | AWG 20    | 1.1                   |
| 0.75 mm <sup>2</sup>      | AWG 18    | 1.3                   |
| 1 mm <sup>2</sup>         | AWG 18    | 1.45                  |
| 1.5 mm <sup>2</sup>       | AWG 16    | 1.75                  |
| 2.5 mm <sup>2</sup>       | AWG 14    | 2.25                  |

16A 冷压接插针 (适用于 HA,HE,HEE,HM,HK 插芯)  
16A Crimp contacts (for HA,HE,HEE,HM,HK inserts)

接触电阻 ≤ 1mΩ Contact resistance ≤ 1mΩ

|                     | 公 Male    | 公 Male    |
|---------------------|-----------|-----------|
| 镀银<br>silver plated | CESM-0.37 | CESF-0.37 |
|                     | CESM-0.5  | CESF-0.5  |
|                     | CESM-0.75 | CESF-0.75 |
|                     | CESM-1.0  | CESF-1.0  |
|                     | CESM-1.5  | CESF-1.5  |
|                     | CESM-2.5  | CESF-2.5  |
|                     | CESM-3.0  | CESF-3.0  |
|                     | CESM-4.0  | CESF-4.0  |
| 镀金<br>gold plated   | CEGM-0.37 | CEGF-0.37 |
|                     | CEGM-0.5  | CEGF-0.5  |
|                     | CEGM-0.75 | CEGF-0.75 |
|                     | CEGM-1.0  | CEGF-1.0  |
|                     | CEGM-1.5  | CEGF-1.5  |
|                     | CEGM-2.5  | CEGF-2.5  |
|                     | CEGM-3.0  | CEGF-3.0  |
|                     | CEGM-4.0  | CEGF-4.0  |

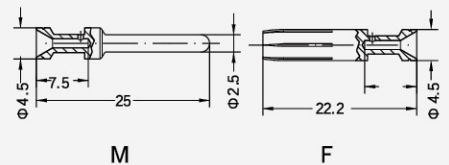


| 标示 Identification | 线规 Wire gauge             | 剥线长度 Stripping length |
|-------------------|---------------------------|-----------------------|
| no groove         | 0.14-0.37 mm <sup>2</sup> | AWG 26-22             |
| no groove         | 0.5 mm <sup>2</sup>       | AWG 20                |
| 1 groove          | 0.75 mm <sup>2</sup>      | AWG 18                |
| 1 groove          | 1 mm <sup>2</sup>         | AWG 18                |
| 2 groove          | 1.5 mm <sup>2</sup>       | AWG 16                |
| 3 groove          | 2.5 mm <sup>2</sup>       | AWG 14                |
| wide groove       | 3 mm <sup>2</sup>         | AWG 12                |
| no groove         | 4 mm <sup>2</sup>         | AWG 12                |

16A 冷压接插针 (采用冠簧接触) (适用于 HA,HE,HEE,HM,HK)  
16A Crimp contacts (with crown contact) (for HA,HE,HEE,HM,HK inserts)

接触电阻 ≤ 1mΩ Contact resistance ≤ 1mΩ

|                     | 公 Male    | 公 Male     |
|---------------------|-----------|------------|
| 镀银<br>silver plated | CESM-0.37 | CESF-0.37G |
|                     | CESM-0.5  | CESF-0.5G  |
|                     | CESM-0.75 | CESF-0.75G |
|                     | CESM-1.0  | CESF-1.0G  |
|                     | CESM-1.5  | CESF-1.5G  |
|                     | CESM-2.5  | CESF-2.5G  |
|                     | CESM-3.0  | CESF-3.0G  |
|                     | CESM-4.0  | CESF-4.0G  |
| 镀金<br>gold plated   | CEGM-0.37 | CEGF-0.37G |
|                     | CEGM-0.5  | CEGF-0.5G  |
|                     | CEGM-0.75 | CEGF-0.75G |
|                     | CEGM-1.0  | CEGF-1.0G  |
|                     | CEGM-1.5  | CEGF-1.5G  |
|                     | CEGM-2.5  | CEGF-2.5G  |
|                     | CEGM-3.0  | CEGF-3.0G  |
|                     | CEGM-4.0  | CEGF-4.0G  |



| 标示 Identification | 线规 Wire gauge             | 剥线长度 Stripping length |
|-------------------|---------------------------|-----------------------|
| no groove         | 0.14-0.37 mm <sup>2</sup> | AWG 26-22             |
| no groove         | 0.5 mm <sup>2</sup>       | AWG 20                |
| 1 groove          | 0.75 mm <sup>2</sup>      | AWG 18                |
| 1 groove          | 1 mm <sup>2</sup>         | AWG 18                |
| 2 groove          | 1.5 mm <sup>2</sup>       | AWG 16                |
| 3 groove          | 2.5 mm <sup>2</sup>       | AWG 14                |
| wide groove       | 3 mm <sup>2</sup>         | AWG 12                |
| no groove         | 4 mm <sup>2</sup>         | AWG 12                |

冷插针部分 / Cold Pin Part

CE ROHS REACH

40A 冷压接插针 (适用于 HM, HK 等插芯)  
40A Crimp contacts (for HM, HK inserts)

接触电阻  $\leq 0.3m\Omega$  Contact resistance  $\leq 0.3m\Omega$

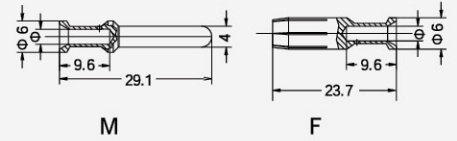
镀银  
silver plated



镀金  
gold plated



| 公 Male    | 母 Female  |
|-----------|-----------|
| CCSM-1.5  | CCSF-1.5  |
| CCSM-2.5  | CCSF-2.5  |
| CCSM-4.0  | CCSF-4.0  |
| CCSM-6.0  | CCSF-6.0  |
| CCSM-10.0 | CCSF-10.0 |
| CCGM-1.5  | CCGF-1.5  |
| CCGM-2.5  | CCGF-2.5  |
| CCGM-4.0  | CCGF-4.0  |
| CCGM-6.0  | CCGF-6.0  |
| CCGM-10.0 | CCGF-10.0 |



| 线规 Wire gauge              | $\Phi$ | 剥线长度 Stripping length |
|----------------------------|--------|-----------------------|
| 1.5 mm <sup>2</sup> AWG 16 | 1.75   | 9 mm                  |
| 2.5 mm <sup>2</sup> AWG 14 | 2.25   | 9 mm                  |
| 4 mm <sup>2</sup> AWG 12   | 2.85   | 9.6 mm                |
| 6 mm <sup>2</sup> AWG 10   | 3.5    | 9.6 mm                |
| 10 mm <sup>2</sup> AWG 8   | 4.3    | 15 mm                 |

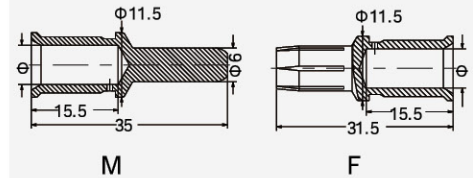
70A 冷压接插针 (适用于 HM 等插芯)  
70A Crimp contacts (for HM inserts)

接触电阻  $\leq 0.5m\Omega$  Contact resistance  $\leq 0.5m\Omega$

镀银  
silver plated



| 公 Male    | 母 Female  |
|-----------|-----------|
| CKSM70-10 | CKSF70-10 |
| CKSM70-16 | CKSF70-16 |
| CKSM70-25 | CKSF70-25 |



| 线规 Wire gauge      | $\Phi$ | 剥线长度 Stripping length |
|--------------------|--------|-----------------------|
| 10 mm <sup>2</sup> | 4.3    | 15.5 mm               |
| 16 mm <sup>2</sup> | 5.5    | 15.5 mm               |
| 25 mm <sup>2</sup> | 7      | 15.5 mm               |

电缆绞线依据 IEC 60 228-5

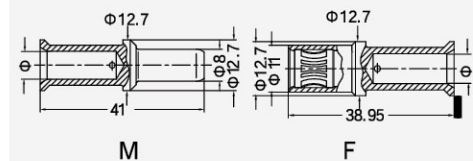
100A 冷压接插针 (采用冠簧接触) (适用于 HM, HK 插芯)  
100A Crimp contacts (with crown contact) (for HM, HK inserts)

接触电阻  $\leq 0.3m\Omega$  Contact resistance  $\leq 0.3m\Omega$

镀银  
silver plated



| 公 Male  | 母 Female            |
|---------|---------------------|
| CKSM-10 | CKSF-10G            |
| CKSM-16 | CKSF-16G            |
| CKSM-25 | CKSF-25G            |
| CKSM-35 | CKSF-35G            |
|         | 开槽结构 Slot structure |
|         | CKSF-10             |
|         | CKSF-16             |
|         | CKSF-25             |
|         | CKSF-35             |



| 线规 Wire gauge      | $\Phi$ | 剥线长度 Stripping length |
|--------------------|--------|-----------------------|
| 10 mm <sup>2</sup> | 4.3    | 19 mm                 |
| 16 mm <sup>2</sup> | 5.5    | 19 mm                 |
| 25 mm <sup>2</sup> | 7      | 19 mm                 |
| 35 mm <sup>2</sup> | 8.2    | 16 mm                 |

电缆绞线依据 IEC 60 228-5

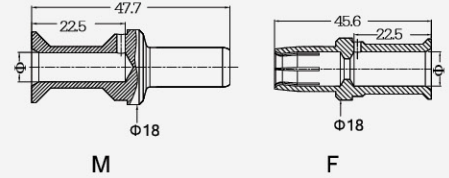
200A 冷压接插针 (适用于 HM 插芯)  
200A Crimp contacts (for HM inserts)

接触电阻  $\leq 0.3m\Omega$  Contact resistance  $\leq 0.3m\Omega$

镀银  
silver plated



| 公 Male     | 母 Female   |
|------------|------------|
| CHSM200-25 | CHSF200-25 |
| CHSM200-35 | CHSF200-35 |
| CHSM200-50 | CHSF200-50 |
| CHSM200-70 | CHSF200-70 |



| 导线截面 Wire gauge    | Φ    | 剥线长度 Stripping length |
|--------------------|------|-----------------------|
| 25 mm <sup>2</sup> | 7    | 22.5 mm               |
| 35 mm <sup>2</sup> | 8.2  | 22.5 mm               |
| 50 mm <sup>2</sup> | 10   | 22.5 mm               |
| 70 mm <sup>2</sup> | 11.5 | 22.5 mm               |

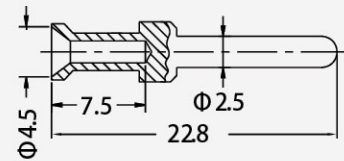
电缆绞线依据 IEC 60 228-5-

保险延迟针  
Relay contact

镀银  
silver plated



| 线规 (mm <sup>2</sup> ) Wire gauge (mm <sup>2</sup> ) | 型号 Designation |
|---|----------------|
| 1.0   | CESM-1.0R      |
| 1.5   | CESM-1.5R      |
| 2.5   | CESM-2.5R      |



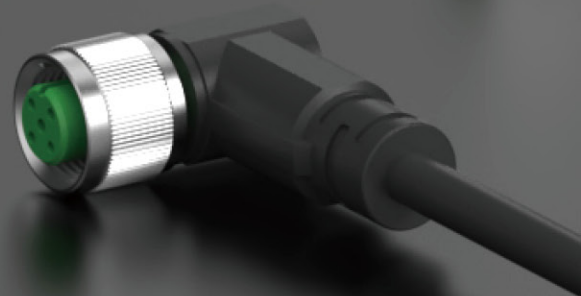
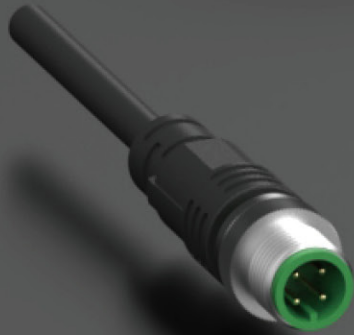


**Hoonsun**

*Eighteen years for only one thing!*

# 圆形连接器系列

Circular Connector Series





CE IP67


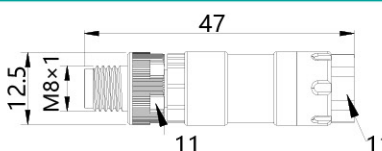

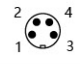

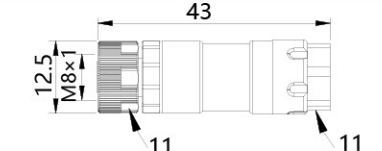
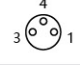


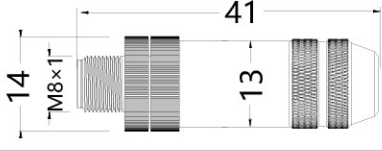
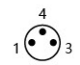


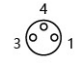

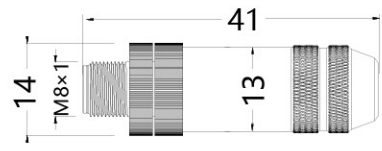


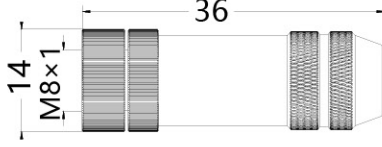
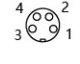


## M8 连接器 M8 Connector

CE IP67

现场接线  
Field-wireable

螺钉压接  
Screw terminals

| 产品图<br>Product Diagram   | 产品尺寸<br>Product Dimensions  | 规格型号<br>Specifications And Models | 孔位定义<br>Hole Position Definition  |
|--|---|-----------------------------------|---|
|                 |    | M8-M03T                           |    |
|  |   | M8-M04T                           |    |
|                 |    | M8-F03T                           |    |
|  |   | M8-F04T                           |    |
|  屏蔽<br>Shield   |    | M8P-M03T                          |    |
|  屏蔽<br>Shield   |    | M8P-F03T                          |    |
|  屏蔽<br>Shield |  | M8P-M04T                          |  |
|  屏蔽<br>Shield |  | M8P-F04T                          |  |

规格型号 Product Diagram

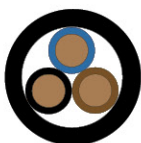
3 芯

4 芯

可根据使用环境因素，定制线缆长度及材质，如耐高低温，强酸碱等恶劣环境  
According to the use of environmental factors, the cable length and material can be customized, such as high and low temperature resistance, strong acid and alkali and other harsh environments

| 额定电压<br>Rated Voltage | 额定电流<br>Current Rating | 压线方式<br>Crimping Method | 防护等级<br>Ingress Protection | 环境温度<br>Ambient Temperature | 压接范围<br>Crimp Range     | 电缆出线直径<br>Cable Outlet Diameter |
|-----------------------|------------------------|-------------------------|----------------------------|-----------------------------|-------------------------|---------------------------------|
| 60V AC/DC             | MAX.4A                 | 螺钉压接                    | IP65                       | -25~+85°C                   | 0.14~0.5mm <sup>2</sup> | 3.5~5.0mm                       |

可选配线缆:



黑色/BK

PVC3芯黑色线

PUR3芯黑色线

拖链3芯黑色线

下单型号:

PVC3C0.25.BK

PUR3C0.25.BK

TL3C0.25.BK

下单型号:

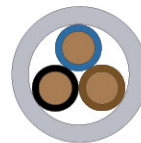
PVC4芯屏蔽黑色线P VC4C0.25P.BK

PUR4芯屏蔽黑色线 PUR4C0.25P.BK

拖链4芯屏蔽黑色线 TL4C0.25P.BK



黑色/BK



灰色/GY

PVC3芯灰色线

PUR3芯灰色线

拖链3芯灰色线

下单型号:

PVC3C0.25.GY

PUR3C0.25.GY

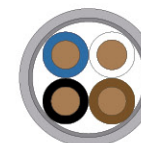
TL3C0.25.GY

下单型号:

PVC4芯屏蔽灰色线 PVC4C0.25P.GY

PUR4芯屏蔽灰色线 PUR4C0.25P.GY


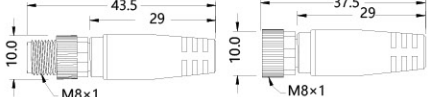
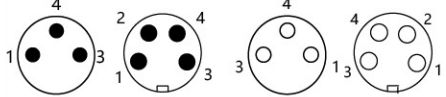
拖链4芯屏蔽灰色线 TL4C0.25P.GY




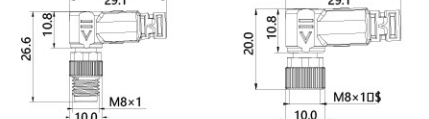
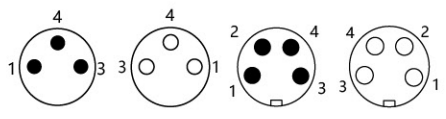
灰色/GY

## M8 连接器线束 M8 Connector harness

单端预铸线束  
With open ended wires


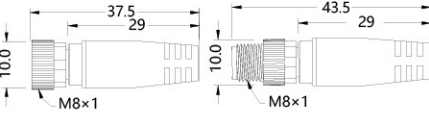
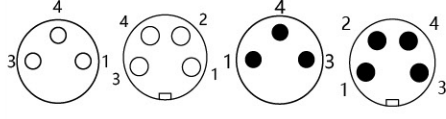
| 产品图<br>Product Diagram  | 产品尺寸<br>Product Dimensions   | 孔位定义<br>Hole Position Definition  |
|---|--|---|
|  |  |  |

单端预铸线束  
With open ended wires

| 产品图<br>Product Diagram  | 产品尺寸<br>Product Dimensions   | 孔位定义<br>Hole Position Definition  |
|---|--|---|
|  |  |  |


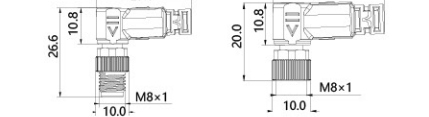
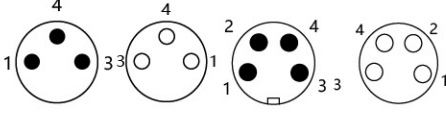
单端预铸线束  
With open ended wires




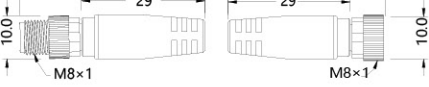
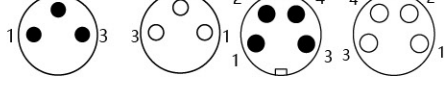
| 产品图<br>Product Diagram   | 产品尺寸<br>Product Dimensions  | 孔位定义<br>Hole Position Definition   |
|--|---|--|
|  |  |  |

单端预铸线束  
With open ended wires


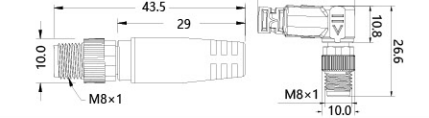
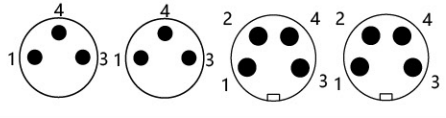


| 产品图<br>Product Diagram  | 产品尺寸<br>Product Dimensions   | 孔位定义<br>Hole Position Definition  |
|---|--|---|
|  |  |  |

双端预铸线束  
Double end pre cast wire harness

| 产品图<br>Product Diagram  | 产品尺寸<br>Product Dimensions   | 孔位定义<br>Hole Position Definition  |
|---|--|---|
|  |  |  |

双端预铸线束  
Double end pre cast wire harness

| 产品图<br>Product Diagram  | 产品尺寸<br>Product Dimensions   | 孔位定义<br>Hole Position Definition  |
|---|--|---|
|  |  |  |

可根据使用环境因素，定制线缆长度及材质，如耐高低温，强酸碱等恶劣环境  
According to the use of environmental factors, the cable length and material can be customized, such as high and low temperature resistance, strong acid and alkali and other harsh environments

| 额定电压<br>Rated Voltage | 线缆规格<br>Cable Specifications                | 防护等级符合 IEC 60529 标准<br>The degree of protection is according to IEC 60529 | 环境温度<br>Ambient Temperature |
|-----------------------|---|---|-----------------------------|
| 60 V DC ±25%          | 3*0.25mm <sup>2</sup> 4*0.25mm <sup>2</sup> | IP67  | -25~+85°C                   |

M12 连接器 M12 Connector

现场接线  
Field-wireable

螺钉压接  
Screw terminals


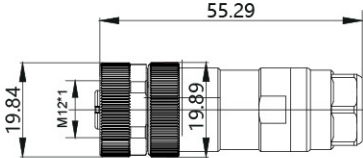
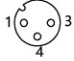
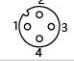
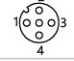
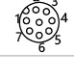

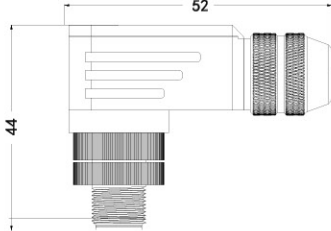
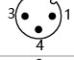
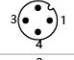
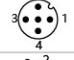


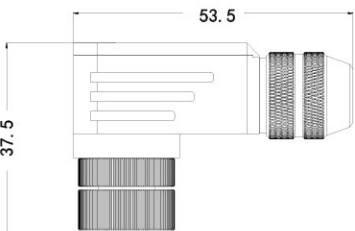

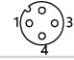
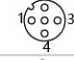

| 产品图<br>Product Diagram  | 产品尺寸<br>Product Dimensions  | 规格型号<br>Specifications And Models | 孔位定义<br>Hole Position Definition  |
|---|---|-----------------------------------|---|
|    |    | M12-F03T                          |    |
|   |   | M12-F04T                          |    |
|   |   | M12-F05T                          |    |
|   |   | M12-F08T                          |    |
|    |    | M12-M03T                          |    |
|   |   | M12-M04T                          |    |
|   |   | M12-M05T                          |    |
|   |   | M12-M08T                          |   |
|  |  | M12-M03S                          |  |
|   |   | M12-M04S                          |  |
|   |   | M12-M05S                          |  |
|   |   | M12-M08S                          |  |
|  |  | M12-F03S                          |  |
|   |   | M12-F04S                          |  |
|   |   | M12-F05S                          |  |
|   |   | M12-F08S                          |  |
|  |  | M12P-M03T                         |  |
|   |   | M12P-M04T                         |  |
|   |   | M12P-M05T                         |  |
|   |   | M12P-M08T                         |  |

## M12 连接器 M12 Connector

CE IP67

现场接线  
Field-wireable

螺钉压接  
Screw terminals

| 产品图<br>Product Diagram  | 产品尺寸<br>Product Dimensions   | 规格型号<br>Specifications And Models | 孔位定义<br>Hole Position Definition  |
|---|--|-----------------------------------|---|
|  <p>屏蔽<br/>Shield</p>  |   | M12P-F03T                         |    |
|   |  | M12P-F04T                         |    |
|   |  | M12P-F05T                         |    |
|   |  | M12P-F08T                         |    |
|  <p>屏蔽<br/>Shield</p>  |   | M12P-M03S                         |    |
|   |  | M12P-M04S                         |    |
|   |  | M12P-M05S                         |    |
|   |  | M12P-M08S                         |    |
|  <p>屏蔽<br/>Shield</p> |  | M12P-F03S                         |    |
|   |  | M12P-F04S                         |   |
|   |  | M12P-F05S                         |  |
|   |  | M12P-F08S                         |  |

| 规格型号 / Product Diagram     | 3 芯           | 4 芯           | 5 芯           | 8 芯           |
|----------------------------|---------------|---------------|---------------|---------------|
| 额定电压 / Rated Voltage       | 250V AC/DC    | 250V AC/DC    | 125V AC/DC    | 60V AC/DC     |
| 额定电流 / Current Rating      | MAX.4A        | MAX.4A        | MAX.4A        | MAX.4A        |
| 压线范围 / Crimping Method     | 最大 MAX.0.75mm | 最大 MAX.0.75mm | 最大 MAX.0.75mm | 最大 MAX.0.75mm |
| 防护等级 / Ingress Protection  | IP65          | IP65          | IP65          | IP65          |
| 环境温度 / Ambient Temperature | -25~+85°C     | -25~+85°C     | -25~+85°C     | -25~+85°C     |
| 外壳材料 / Housing Material    | 阻燃塑料          | 阻燃塑料          | 阻燃塑料          | 阻燃塑料          |

可根据使用环境因素，定制线缆长度及材质，如耐高低温，强酸碱等恶劣环境  
According to the use of environmental factors, the cable length and material can be customized, such as high and low temperature resistance, strong acid and alkali and other harsh environments

可选配线缆：



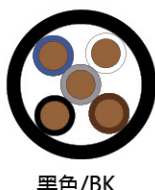
屏蔽  
PVC3C0.34PBK  
PUR3C0.34PBK  
TL3C0.34PBK

非屏蔽  
PVC3C0.34.BK  
PUR3C0.34.BK  
TL3C0.34.BK



屏蔽  
PVC4C0.34PBK  
PUR4C0.34PBK  
TL4C0.34PBK

非屏蔽  
PVC4C0.34.BK  
PUR4C0.34.BK  
TL4C0.34.BK



屏蔽  
PVC5C0.34PBK  
PUR5C0.34PBK  
TL5C0.34PBK

下单型号：  
非屏蔽  
PVC5C0.34.BK  
PUR5C0.34.BK  
TL5C0.34.BK



屏蔽  
PVC8C0.25PBK  
PUR8C0.25PBK  
TL8C0.25PBK

非屏蔽  
PVC8C0.25.BK  
PUR8C0.25.BK  
TL8C0.25.BK

M12 连接器 M12 Connector

板前安装  
Front install

| 产品图<br>Product Diagram  | 产品尺寸<br>Product Dimensions  | 开孔图<br>Open diagram   | 规格型号<br>Specifications And Models    | 孔位定义<br>Hole Position Definition  |
|---|---|---|--------------------------------------|---|
|    |    | <br>10.6<br>+<br>M12   | ZJQ-M12-M03(M12)<br>ZJQ-M12-M03(M16) |    |
|   |   | <br>13.5<br>+<br>M16   | ZJQ-M12-M04(M12)<br>ZJQ-M12-M04(M16) |    |
|    |    | <br>10.6<br>+<br>M12   | ZJQ-M12-M12(M12)<br>ZJQ-M12-M12(M16) |    |
|   |   | <br>13.5<br>+<br>M16  | ZJQ-M12-M08(M12)<br>ZJQ-M12-M08(M16) |    |
|  |  | <br>10.6<br>+<br>M12 | ZJQ-M12-M12(M12)<br>ZJQ-M12-M12(M16) |  |
|   |   | <br>13.5<br>+<br>M16 |                                      |   |
|  |  | <br>10.6<br>+<br>M12 | ZJQ-M12-F03(M12)<br>ZJQ-M12-F03(M16) |  |
|   |   | <br>13.5<br>+<br>M16 | ZJQ-M12-F04(M12)<br>ZJQ-M12-F04(M16) |  |
|  |  | <br>10.6<br>+<br>M12 | ZJQ-M12-F05(M12)<br>ZJQ-M12-F05(M16) |  |
|   |   | <br>13.5<br>+<br>M16 | ZJQ-M12-F08(M12)<br>ZJQ-M12-F08(M16) |  |


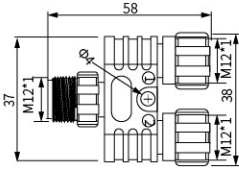
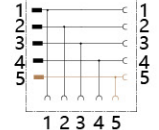
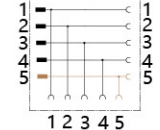
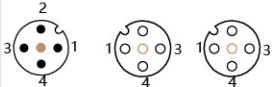

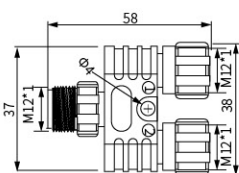
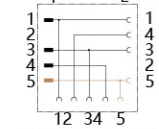
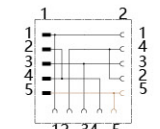
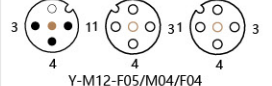
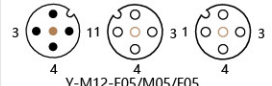

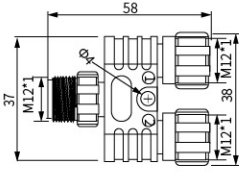
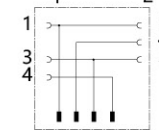
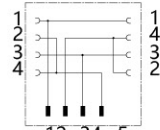
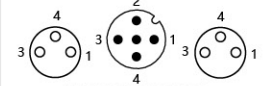
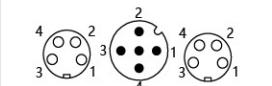

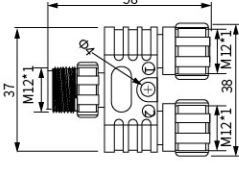
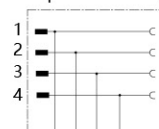
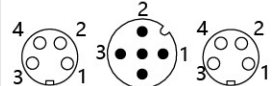

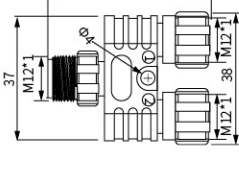
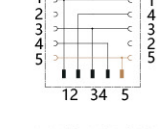
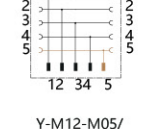
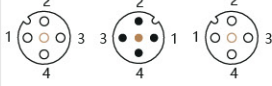

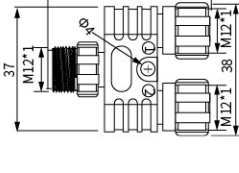
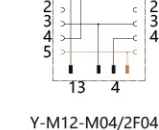
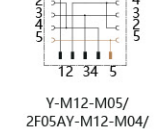
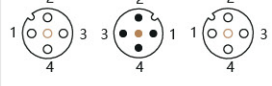
M12 连接器 M12 Connector

板后安装  
Front install

| 产品图<br>Product Diagram  | 产品尺寸<br>Product Dimensions  | 开孔图<br>Open diagram       | 规格型号<br>Specifications And Models    | 孔位定义<br>Hole Position Definition  |
|---|---|---------------------------|--------------------------------------|---|
|    |    | $\varnothing 12.2$<br>M12 | ZJH-M12-M03(M12)                     |    |
|   |   | $\varnothing 16.1$<br>M16 | ZJH-M12-M04(M12)<br>ZJH-M12-M04(M16) |    |
|   |    | $\varnothing 12.2$<br>M12 | ZJH-M12-M05(M12)<br>ZJH-M12-M05(M16) |    |
|   |   | $\varnothing 16.1$<br>M16 | ZJH-M12-M08(M12)<br>ZJH-M12-M08(M16) |   |
|  |  | $\varnothing 12.2$<br>M12 | ZJH-M12-M12(M12)<br>ZJH-M12-M12(M16) |  |
|   |   | $\varnothing 16.1$<br>M16 |                                      |   |
|  |  | $\varnothing 16.1$<br>M16 | ZJH-M12-F03(M16)                     |  |
|   |   |                           | ZJH-M12-F04(M16)                     |  |
|  |  | $\varnothing 16.1$<br>M16 | ZJH-M12-F05(M16)                     |  |
|   |   |                           | ZJH-M12-F08(M16)                     |  |

M12 连接器 M12 Connector

板前安装  
Front install

| 产品图<br>Product Diagram  | 产品尺寸<br>Product Dimensions  | 接线图 / 规格型号<br>Wiring diagrams/specifications   | 接线图 / 规格型号<br>Wiring diagrams/specifications  | 孔位定义<br>Hole Position Definition   |
|---|---|--|---|--|
|    |    | 插针 Male 插孔 Female<br><br>Y-M12-F05/M04/F04B<br>Y-M12-F04/M03/F03B   | 插针 Male 插孔 Female<br><br>Y-M12-F05/M05/F05B<br>Y-M12-F04/M04/F04B   | <br>Y-M12-F05/M04/F04B<br>Y-M12-F04/M03/F03B<br>Y-M12-F05/M05/F05B<br>Y-M12-F04/M04/F04B  |
|    |    | 插针 Male 插孔 Female<br><br>Y-M12-F05/M04/<br>F04Y-M12-F04/M03/<br>F03 | 插针 Male 插孔 Female<br><br>Y-M12-F05/M05/F05<br>Y-M12-F04/M04/F04     | <br>Y-M12-F05/M04/F04<br>Y-M12-F04/M03/F03<br><br>Y-M12-F05/M05/F05<br>Y-M12-F04/M04/F04 |
|   |   | 插孔 Female 插孔 Female<br><br>Y-M12-M04/M8-2F03                       | 插孔 Female 插孔 Female<br><br>Y-M12-M04/M8-2F04                       | <br>Y-M12-M04/M8-2F03<br><br>Y-M12-M04/M8-2F04   |
|  |  | 插针 Male 插孔 Female<br><br>Y-M12-M04/M08-2F04B                      |   | <br>Y-M12-M04/M08-2F04B   |
|  |  | 插孔 Female 插孔 Female<br><br>Y-M12-M05/2F04C<br>Y-M12-M04/2F03C     | 插孔 Female 插孔 Female<br><br>Y-M12-M05/<br>2F05BY-M12-M04/<br>2F04B | <br>Y-M12-M05/2F04C<br>Y-M12-M04/2F03C<br>Y-M12-M05/2F05B<br>Y-M12-M04/2F04B  |
|  |  | 插孔 Female 插孔 Female<br><br>Y-M12-M04/2F04D<br>Y-M12-M03/2F03D     | 插孔 Female 插孔 Female<br><br>Y-M12-M05/<br>2F05AY-M12-M04/<br>2F04A | <br>Y-M12-M04/2F04D<br>Y-M12-M03/2F03D<br>Y-M12-M05/2F05A<br>Y-M12-M04/2F04A  |

额定电压 Rated Voltage

60V AC/DC

额定电流 Current Rating

MAX.4A

防护等级 Ingress Protection



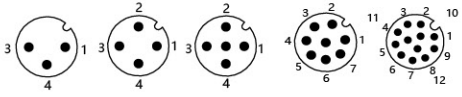
IP67

环境温度 Ambient Temperature



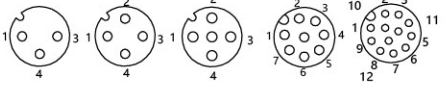
-25~+85°C

## M12 连接器 M12 Connector


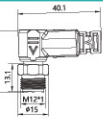
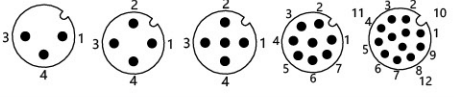
单端预铸线束  
With open ended wires

| 产品图<br>Product Diagram  | 产品尺寸<br>Product Dimensions  | 孔位定义<br>Hole Position Definition  |
|---|---|---|
|  |  |  |


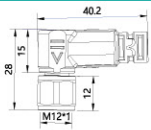
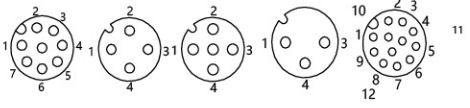
单端预铸线束  
With open ended wires

| 产品图<br>Product Diagram  | 产品尺寸<br>Product Dimensions  | 孔位定义<br>Hole Position Definition  |
|---|---|---|
|  |  |  |


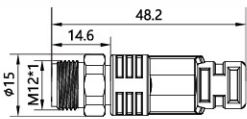
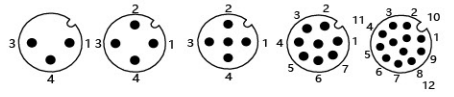
单端预铸线束  
With open ended wires

| 产品图<br>Product Diagram  | 产品尺寸<br>Product Dimensions  | 孔位定义<br>Hole Position Definition  |
|---|---|---|
|  |  |  |


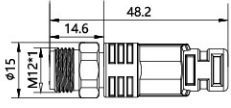
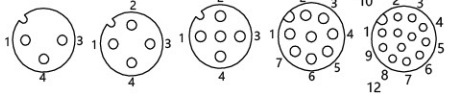
单端预铸线束  
With open ended wires

| 产品图<br>Product Diagram  | 产品尺寸<br>Product Dimensions  | 孔位定义<br>Hole Position Definition  |
|---|---|---|
|  |  |  |


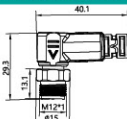
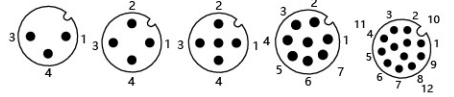
单端预铸线束  
With open ended wires

| 产品图<br>Product Diagram  | 产品尺寸<br>Product Dimensions  | 孔位定义<br>Hole Position Definition  |
|---|---|---|
|  |  |  |

单端预铸线束  
With open ended wires

| 产品图<br>Product Diagram  | 产品尺寸<br>Product Dimensions  | 孔位定义<br>Hole Position Definition  |
|---|---|---|
|  |  |  |

单端预铸线束  
With open ended wires

| 产品图<br>Product Diagram  | 产品尺寸<br>Product Dimensions  | 孔位定义<br>Hole Position Definition  |
|---|---|---|
|  |  |  |

可根据使用环境因素，定制线缆长度及材质，如耐高低温，强酸碱等恶劣环境  
According to the use of environmental factors, the cable length and material can be customized, such as high and low temperature resistance, strong acid and alkali and other harsh environments

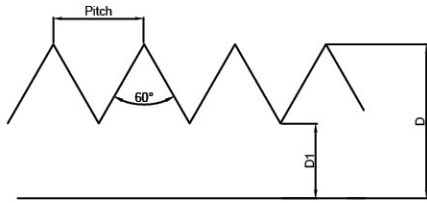
| 线缆规格 Rated Voltage  | 防护等级 Ingress Protection | 环境温度 Ambient Temperature |
|---|-------------------------|--------------------------|
| N*0.34mm <sup>2</sup> (3,4,5 芯) N*0.25mm <sup>2</sup> (8 芯) | IP67                    | 3.5~5.0mm                |



## International Protection, EN 60529

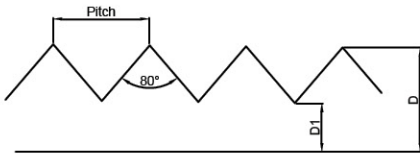
| 1.Code  |  | 2.Code | Protection of water | Non-protected | Protection against dripping water | Protection against vertically falling water drop when device is tilted up to 15° | Water sprayed at an angle up to 60° on either side of the vertical shall have no harmful effects | Water splashed from any direction shall have no harmful effects | Water projected in Powerful jet from any direction shall have no harmful effects | Water projected in Powerful jet from any direction shall have no harmful effects | Protection against temporary submersion | Protection against permanent submersion |
|---|--|--------|---------------------|---------------|-----------------------------------|--|--|---|--|--|---|---|
| Protection against human access to hazardous parts                                    | Protection of equipment against penetration of solid foreign objects         |        |                     | IPx0          | IPx1                              | IPx2   | IPx3   | IPx4  | IPx5   | IPx6   | IPx7                                    | IPx8                                    |
| Non-protected   | Non-protected  | IP0x   | IP00                |               |                                   |  |  |   |  |  |   |   |
| Protected against access to hazardous parts with the back of the hand                 | Protected against solid foreign objects larger in diameter than 50mm         | IP1x   | IP10                | IP11          | IP12                              |  |  |   |  |  |   |   |
| Protected against access to hazardous parts with a finger                             | Protected against solid foreign objects larger in diameter than 12,5mm       | IP2x   | IP20                | IP21          | IP22                              | IP23   |  |   |  |  |   |   |
| Protecting against access to hazardous parts with a tool larger in diameter than 25mm | Protected against solid foreign objects larger in diameter than 2,5mm        | IP3x   | IP30                | IP31          | IP32                              | IP33   | IP34   |   |  |  |   |   |
| Protected against access to hazardous parts with a wire larger in diameter than 1,0mm | Protected against solid foreign objects larger in diameter than 1mm          | IP4x   | IP40                | IP41          | IP42                              | IP43   | IP44   |   |  |  |   |   |
| Protected against access to hazardous parts with a wire larger in diameter than 1,0mm | Prevents penetration of dust sufficient to cause damage inside the equipment | IP5x   | IP50                | IP51          | IP52                              | IP53   | IP54   | IP55  |  |  |   |   |
| Protected against access to hazardous parts with a wire larger in diameter than 1,0mm | Dust proof   | IP6x   | IP60                | IP61          | IP62                              | IP63   | IP64   | IP65  | IP66   | IP67   | IP68                                    |   |

M 公制螺纹  
螺纹代号 M, 牙型角 60°, 基本牙型为平顶  
Metric ISO Thread Specifications



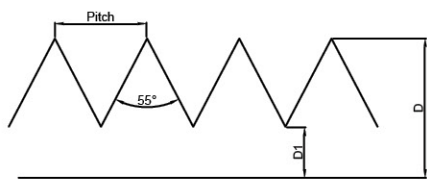
| 尺寸 Size | 螺距 Pitch | 外径 D Outside | 内径 D1 Inside |
|---------|----------|--------------|--------------|
| M8×1    | 1.0      | 8            | 6.5          |
| M10×1   | 1.0      | 10           | 8.5          |
| M12×1.5 | 1.5      | 12           | 10.5         |
| M20×1.5 | 1.5      | 20           | 18.5         |
| M25×1.5 | 1.5      | 25           | 23.5         |
| M32×1.5 | 1.5      | 32           | 30.5         |
| M40×1.5 | 1.5      | 40           | 38.5         |
| M50×1.5 | 1.5      | 50           | 48.5         |
| M63×1.5 | 1.5      | 63           | 61.5         |
| M72×2   | 2.0      | 72           | 70           |

PG 德制螺纹  
螺纹代号 PG, 牙型角 80°, 基本牙型为平顶。  
PG Thread Specifications



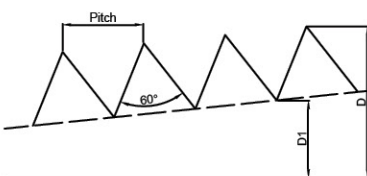
| 尺寸 Size | 螺距 Pitch | 外径 D Outside | 内径 D1 Inside |
|---------|----------|--------------|--------------|
| PG7     | 1.270    | 12.50        | 11.28        |
| PG9     | 1.410    | 15.20        | 13.86        |
| PG11    | 1.410    | 18.60        | 17.26        |
| PG13.5  | 1.410    | 20.40        | 19.06        |
| PG16    | 1.410    | 22.50        | 21.16        |
| PG21    | 1.588    | 28.30        | 26.78        |
| PG29    | 1.588    | 37.00        | 35.48        |
| PG36    | 1.588    | 47.00        | 45.48        |
| PG42    | 1.588    | 54.00        | 52.48        |
| PG48    | 1.588    | 59.30        | 57.78        |

G 圆柱管螺纹  
螺纹代号 G, 牙型角 55°, 基本牙型为圆顶圆底  
British G (PF) Thread Specifications



| 尺寸 Size | 螺距 Pitch | 外径 D Outside | 内径 D1 Inside |
|---------|----------|--------------|--------------|
| G1/4    | 1.337    | 13.157       | 11.445       |
| G3/8    | 1.337    | 16.662       | 14.950       |
| G1/2    | 1.814    | 20.955       | 18.631       |
| G3/4    | 1.814    | 26.441       | 24.117       |
| G1      | 2.309    | 33.249       | 30.910       |
| G1 1/4  | 2.309    | 41.910       | 38.952       |
| G1 1/2  | 2.309    | 47.803       | 44.845       |
| G2      | 2.309    | 59.614       | 56.656       |

NPT 圆锥管螺纹  
螺纹代号 NPT, 牙型角 60°, 基本牙型为平顶, 锥度 1: 16  
NPT Thread Specifications



| 尺寸 Size  | 螺距 Pitch | 外径 D Outside | 内径 D1 Inside |
|----------|----------|--------------|--------------|
| NPT1/4   | 1.337    | 13.157       | 11.445       |
| NPT3/8   | 1.337    | 16.662       | 14.950       |
| NPT1/2   | 1.814    | 20.955       | 18.631       |
| NPT3/4   | 1.814    | 26.441       | 24.117       |
| NPT1     | 2.309    | 33.249       | 30.910       |
| NPT1 1/4 | 2.309    | 41.910       | 38.952       |
| NPT1 1/2 | 2.309    | 47.803       | 44.845       |
| NPT2     | 2.309    | 59.614       | 56.656       |

| 名称牌号 |             | 材料特性  | 应用  |
|------|-------------|---|---|
| 尼龙   | PA6         | 根据产品的特性要求添加玻纤含量在 5-60% 的范围, 这类材料具有很好的强度、耐热性能、优良的抗冲击性能、良好的尺寸稳定性及低翘曲性等。   | 广泛应用于机械、仪器仪表、电子电气、铁路、家电、通讯等电气工程                         |
|      | PA66        | 具有优良的耐磨性、自润滑性, 机械强度较高。  |   |
|      | PA6/PA66+GF | 根据产品的特性要求添加玻纤含量在 5-60% 的范围, 这类材料具有很好的强度、耐热性能、优良的抗冲击性能、良好的尺寸稳定性及低翘曲性等。   |   |
| 黄铜   | H59         | 黄铜的机械性能与其含锌量有关; H59 黄铜耐腐蚀能力较好; 具有高强度、硬度以及良好的塑性, 对于一般的腐蚀有良好的稳定性。         | 广泛应用于轻工农业、仪器、仪表中, 在电气工程领域中使用较多。(表面镀镍处理, 能提高产品的防腐性能)     |
| 铝    | 6061-T6     | 具有加工性能极佳、优良的焊接特点及电镀性、良好的抗腐蚀性、韧性高及加工后不变形、材料致密无缺陷及易于抛光、上色膜容易、氧化效果极佳等优良特点。 | 6061 铝其用途包括: 航天固定装置、电器固定装置、光伏、通讯领域, 也广泛应用于自动化机械零件、精密加工。 |

表面处理 --- 黄铜镀镍说明:

1. 电镀是利用电源能将镍阳离子转换成金属镍沉积在阳极上; 黄铜镀镍是利用化学还原的方法, 将镍阳离子还原成金属镍并沉积在基体 (黄铜) 表面上, 赋予制品特殊的表面特性。例如: 赋予制品多种色彩、较强的耐腐蚀性/耐磨性, 镀层结晶细致、平滑光亮、内应力小, 导电性能极佳。
2. 化学电镀是采用金属盐和还原剂, 在材料表面上发生自催化反应获得镀层; 黄铜镀镍是利用还原剂在活化零件 (黄铜) 表面上自催化还原沉积得到镀层。化学镀镍制品的主要特点是: 镀层厚度均匀, 致密性好、镀层附着力强、深度能力强、抗腐蚀性好。

浙江鸿祥连接器有限公司可以为您提供两种镀镍形式: 1 电镀、2 化学镀镍

备注: 化学镀镍仿真能力强, 能在复杂零件表面沉积, 深度能力强, 镀层厚度比电镀厚, 镀层烧氢后无起皮、镍泡等缺陷, 同时由于化学镀镍速度较慢, 对未镀产品表面处理要求较高, 成本相对电镀较高。

| Name      |             | Properties of Materials   | Application  |
|-----------|-------------|---|--|
| PA        | PA6         | Properties-glass fiber will be added in the range of 5-60%, depending on the requirement of the product. This material has very good strength, heat resistance, excellent shock resistance, good dimensional stable and low warping, etc.   | Widely used in machinery, instruments and meters, electrical and electronic products, railroad, home appliances, communications etc.   |
|           | PA66        | It has excellent wear resistance, self-lubrication, high mechanical strength.   |  |
|           | PA6/PA66+GF | Properties-glass fiber will be added in the range of 5-60%, depending on the requirement of the product. This material has very good strength, heat resistance, excellent shock resistance, good dimensional stable and low warping, etc.   |  |
| Brass     | H59         | The mechanical properties of brass are due to its zinc content; H59 brass has good corrosion resistant ability, high strength, hardness and good plasticity and good stability for general corrosion.   | Widely used in light industry, instruments and meters. Frequently used in the field of electrical engineering. (Nickel plating of the surface treatment can improve the corrosion resistance performance of the product)       |
| Aluminium | 6061-T6     | 6061 aluminum has excellent processing performance, excellent welding and electroplating characteristics, good corrosion resistance, high toughness, no deformation after processing, it is a dense material without defect, easy polishing, easy coloring film and good oxidation effects. | The application of 6061 aluminum includes: fixing devices for aerospace and electrical appliances, photovoltaic and communications areas. It is also widely used in automated machinery parts, precision machining, and so on. |

Surface treatment - notes for nickel plated brass:

1. The electroplating is a process that uses electric current to transform Nickel cation into metal nickel deposition on the anode; Nickel-plated brass is a process that uses chemical reduction to reduce Nickel cations into metal nickel deposition on the surface of the substrate (brass), giving the special surface properties to the products. For example: giving products a variety of colors, strong corrosion resistance/wear resistance, exquisite crystallization on coating, smooth and bright, small internal stress and good electroconductivity.
2. The electroless plating is a process that uses metal-salt and reducing agent to produce autocatalytic reaction on the material surface in order to obtain coating; Nickel-plated brass is a process that uses reducing agent to produce autocatalytic reduction deposition on activation parts (brass) surface in order to obtain coating. The main Properties of electroless nickel plated products are: well-distributed coating thickness, good compactness, coating adhesion, and plating depth capability.

Zhejiang Hongxiang Connector Co., Ltd can provide you two kinds of nickel plating methods: 1. Electroplating, 2. Electroless nickel plating

Note: Electroless nickel plating is much stronger by comparison. It bonds with the surface of complex parts, with strong depth capability, thicker coating than electroplating, no defects on the coating such as peeling, or nickel bubbling after the hydrogen burning. However, due to the slow speed, electroless nickel plating requires a better surface treatment of unplated products. So its cost is relatively higher than electroplating.

# 密封材料的选用

Selection of Sealing Materials



| 名称牌号           | 材料特性  | 应用  |
|----------------|---|---|
| NBR<br>丁腈橡胶    | 丁腈橡胶是由丁二烯和丙烯腈橡胶经乳液聚合得的，丁腈橡胶主要采用低温乳液聚合生产，耐油性极好，耐磨性较高，粘接力强。其缺点是耐低温性差、耐臭氧性差，电性能低劣，弹性稍低。  | 丁腈橡胶主要用于制造耐油制品，如耐油管、胶带等，常用于制造各类耐油模压制品，如O形圈、油封、也用于制造胶板和耐磨零件。                                   |
| EPDM<br>三元乙丙橡胶 | 三元乙丙橡胶最主要的特性就是其优越的耐氧化、抗臭氧和抗侵蚀的能力。耐老化性能非常好、耐气候性好、电线绝缘性能好、冲击弹性较好。   | 主要应用于要求耐老化、耐水、耐腐蚀、电气绝缘的领域，如用于轮胎的浅色胎侧、汽车内胎、电缆、电线、门窗密封条、家用电器配件等。                                |
| 硅橡胶            | <ol style="list-style-type: none"> <li>1. 高温性能：在 200°C 以上的高温环境下，硅橡胶仍能保持一定的柔韧性、回弹性和表面硬度，且力学性能无明显变化。</li> <li>2. 低温性能：硅橡胶的玻璃化温度为 -70~-50°C，特殊配方可达到 -100°C。</li> <li>3. 电气性能：硅橡胶具有优异的绝缘性能，耐电晕性和耐电弧性好。</li> <li>4. 物流机械性能：硅橡胶常温下的物理机械性能比通用橡胶差，但在 150°C 的高温下和 -50°C 的低温下，其物理机械性能优于通用橡胶。</li> <li>5. 耐油及化学试剂性：普通硅橡胶具有中等的耐油、耐溶剂性能。</li> </ol>  | 硅橡胶密封件在极限温度及压力下，有良好的适用性。  |
| 氟橡胶            | <ol style="list-style-type: none"> <li>1. 化学稳定性：氟橡胶具有高度的化学稳定性。26 型氟橡胶耐石油基油类、双酯类油、硅醚类油、硅酸类油，耐无机酸，耐多数的有机酸、无极溶剂、药品等。</li> <li>2. 耐高温性优异：氟橡胶的耐高温性能和硅橡胶一样，26 型氟橡胶在 250°C 下可长期使用。</li> <li>3. 耐老化性能好：26 型氟橡胶具有极好的耐老化性能，耐臭氧性能。在自然存放十年之后性能仍然令人满意。</li> <li>4. 真空性能极佳：26 型氟橡胶具有极好的真空性能。</li> <li>5. 机械性能优良：26 型氟橡胶在高温下的压缩永久变形小，在 150°C 下的同等时间的压缩永久变形来比较，丁腈橡胶和氯丁橡胶均比 26 型氟橡胶要大。</li> <li>6. 透气性小：26 型氟橡胶在 30°C 下对于氧、氮、氦、二氧化碳气体的透气性和丁腈橡胶相当，比氯丁橡胶要好。</li> </ol> | 垫圈使用：能耐油并酸气，胺基类化合物等多种高浓度强腐蚀性介质应用于化工场所，航天航空的控制和燃料系统的航空液压油、喷气燃料、高温润滑油的密封。应用领域：航天航空、化工、油田、半导体制造。 |

| Name          | properties of Materials   | Application  |
|---------------|---|--|
| NBR           | This sealing ring is black and made from nitrile rubber. It has excellent oil resistance. Good physical properties. However, the NBR lip seal should not be used where there is a risk of temperatures above 80°C. NBR is not resistance to solvents, also the flexibility is not good.   | Nitrile rubber is commonly used in the manufacture of various oil-resistant molded products, such as O-ring, Oil seal and Rubber or other wear-resistance parts.   |
| EPDM          | This sealing ring is made of ethylene propylene diene monomer. The most important feature is its superior resistance to oxidation, ozone and erosion. Anti-aging performance, wire insulation and impact elasticity are very good   | Mainly used for aging resistance, water resistance, corrosion resistance, electric insulation field. such as automobile inner tube, cable wire, household electrical accessories, etc.   |
| Silicone      | <ol style="list-style-type: none"> <li>1. High temperature: 200°C high temperature environment, silicone rubber can still maintain a certain degree of flexibility, elasticity and hardness, and no significant changes in mechanical properties.</li> <li>2. Low temperature: silicone rubber glass transition temperature -70~-50°C, special formulations could reach -100°C.</li> <li>3. Electrical performance: silicone rubber has excellent insulating properties, corona resistance and good arc resistance.</li> <li>4. Physical and mechanical properties: mechanical properties of silicone rubber is not as good as common rubber at normal temperature, but it's much better than common rubber at 150°C high temperature and the low temperature of -50°C.</li> <li>5. Oil and chemical resistance: ordinary silicone is with moderate oil resistance and solvent resistance.</li> </ol>   | Excellent high and low temperature properties. Fair physical properties.   |
| FKM/FPM/VITON | <ol style="list-style-type: none"> <li>1. Chemical stability: FPM has good chemical stability. 26 fluoro rubber resistant to petroleum base oils and diester oils, silicon oil silicate, inorganic acid-resistant, resistant to most organic and inorganic solvents, chemicals, etc.</li> <li>2. Excellent temperature resistance: Just like silicone rubber, 26 FPM can be used for a long time in 250°C high temperature.</li> <li>3. 26 FPM has excellent resistance to aging, and ozone-resistant properties. The performance remains satisfactory after storage for ten years.</li> <li>4. 26 FPM has excellent vacuum performance.</li> <li>5. It has good mechanical properties: 26 FPM will deform permanently at under 150°C compared with 26 FPM, the deformation of Nitrile rubber and neoprene are larger.</li> <li>6. Moderate Permeability: Permeability of 26 FPM for oxygen, nitrogen, helium, carbon dioxide gas is nearly same as that of nitrile-butadiene rubber at 30°C, but better than that neoprene.</li> </ol> | FPM washer is mainly used in oil acid, amino compounds and other places with a high concentration of corrosive media. It is used in the chemical industry, aviation aerospace control and fuel systems hydraulic oil, jet fuel and high temperature lubricating oil sealing. Also used by aerospace, chemical, oil, semiconductor manufacturing. |